

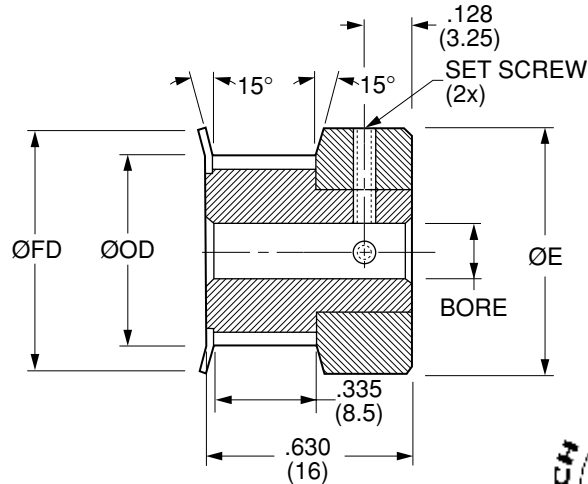
Quality
Transmission
Components

MXL Timing Belt Pulleys

**INCH Pitch .080" (2.03 mm)
FOR BELTS UP TO 1/4" OR 6.35 mm WIDE**



MATERIAL: 2024-T4 or 2024-T351
Aluminum Alloy
FINISH: Clear Anodize



NOTE: Dimensions in () are in mm.

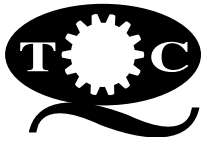
Catalog Number	No. of Teeth	Bore	Pitch Diameter	Outside Diameter ØOD	Hub Diameter ØE	Flange Diameter ØFD	Set Screw
QPEMXLA25015F04	15	.1250 (3.175)	.382 (9.7)	.362 (9.19)	.551 (14)	.551 (14)	#4-40
QPEMXLA25015F06		.1875 (4.763)					#6-40
QPEMXLA25016F04	16	.1250 (3.175)	.407 (10.35)	.387 (9.84)	.591 (15)	.591 (15)	#4-40
QPEMXLA25016F06		.1875 (4.763)					#6-40
QPEMXLA25018F06	18	.1875 (4.763)	.458 (11.64)	.438 (11.13)	.630 (16)	.591 (15)	#6-40
QPEMXLA25018F08		.2500 (6.35)					#8-32
QPEMXLA25020F06	20	.1875 (4.763)	.509 (12.94)	.489 (12.43)	.709 (18)	.709 (18)	#6-40
QPEMXLA25020F08		.2500 (6.35)					#8-32

Bore Tolerance: $+.0015 \begin{pmatrix} +0.038 \\ +.0005 \end{pmatrix} \begin{pmatrix} +0.012 \\ +0.012 \end{pmatrix}$

Larger number of teeth on the next page

O.D. Tolerance: 15 to 20 teeth $+.002 \begin{pmatrix} +0.05 \\ -.000 \end{pmatrix} \begin{pmatrix} +0.05 \\ 0 \end{pmatrix}$



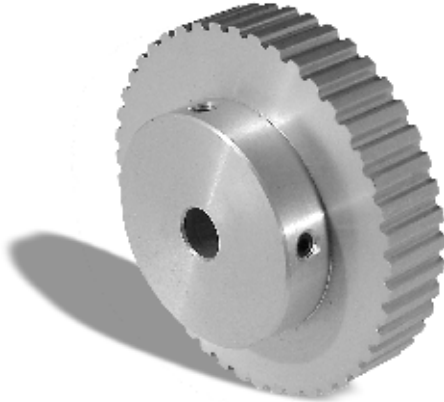


Quality
Transmission
Components

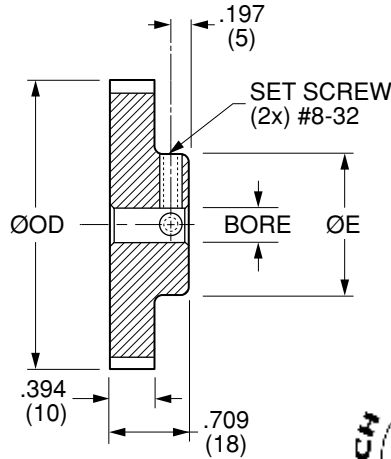
MXL Timing Belt Pulleys

MXL TIMING BELT PULLEYS

**INCH Pitch .080" (2.03 mm)
FOR BELTS UP TO 1/4" OR 6.35 mm WIDE**



MATERIAL: 2024-T4 or 2024-T351
Aluminum Alloy
FINISH: Clear Anodize



NOTE: Dimensions in () are in mm.

Catalog Number	No. of Teeth	Bore	Pitch Diameter	Outside Diameter ØOD	Hub Diameter ØE
QPEMXLA25060N08 QPEMXLA25060N10	60	.2500 (6.35) .3125 (7.938)	1.528 (38.81)	1.508 (38.3)	1.142 (29)
QPEMXLA25065N08 QPEMXLA25065N10	65	.2500 (6.35) .3125 (7.938)	1.655 (42.04)	1.635 (41.53)	1.181 (30)
QPEMXLA25072N08 QPEMXLA25072N10	72	.2500 (6.35) .3125 (7.938)	1.833 (46.57)	1.813 (46.06)	1.260 (32)
QPEMXLA25080N08 QPEMXLA25080N10	80	.2500 (6.35) .3125 (7.938)	2.037 (51.74)	2.017 (51.24)	1.575 (40)
QPEMXLA25090N08 QPEMXLA25090N10	90	.2500 (6.35) .3125 (7.938)	2.292 (58.21)	2.272 (57.7)	1.575 (40)
QPEMXLA25100N10 QPEMXLA25100N12	100	.3125 (7.938) .3750 (9.525)	2.546 (64.68)	2.526 (64.17)	1.772 (45)
QPEMXLA25120N10 QPEMXLA25120N12	120	.3125 (7.938) .3750 (9.525)	3.056 (77.62)	3.036 (77.11)	1.969 (50)

Bore Tolerance: $+0.015 \begin{pmatrix} +0.038 \\ +0.005 \end{pmatrix} \begin{pmatrix} +0.013 \end{pmatrix}$

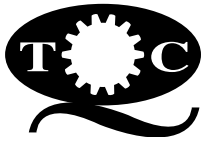
O.D. Tolerance: 60 to 72 teeth $+0.003 \begin{pmatrix} +0.08 \\ -0.000 \end{pmatrix} \begin{pmatrix} 0 \end{pmatrix}$
80 to 120 teeth $+0.004 \begin{pmatrix} +0.10 \\ -0.000 \end{pmatrix} \begin{pmatrix} 0 \end{pmatrix}$

www.econobelt.com



Quality Transmission Components

125 Railroad Avenue, Garden City Park, NY 11040-5016
Phone: (516) 437-6700 • Fax: (516) 328-3343
e-mail: support@econobelt.com



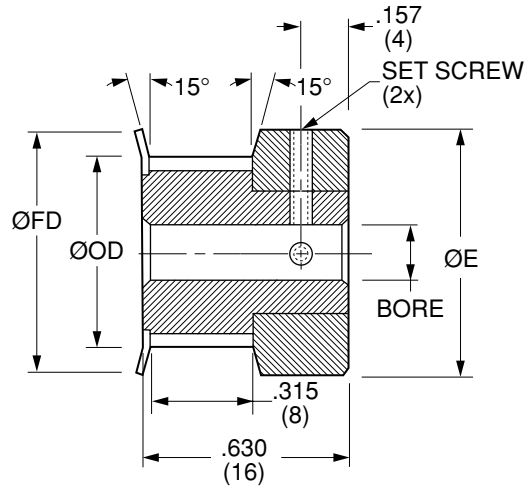
Quality
Transmission
Components

MXL Timing Belt Pulleys

**INCH Pitch .080" (2.03 mm)
FOR BELTS UP TO 1/4" OR 6.35 mm WIDE**



MATERIAL: AISI 1045 Steel
FINISH: Black Oxide



NOTE: Dimensions in () are in mm.

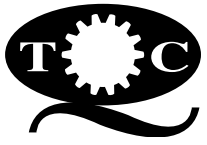
Catalog Number	No. of Teeth	Bore	Pitch Diameter	Outside Diameter ØOD	Hub Diameter ØE	Flange Diameter ØFD	Set Screw
QPEMXLS25015F04	15	.1250 (3.175)	.382 (9.7)	.362 (9.19)	.551 (14)	.551 (14)	#4-40
QPEMXLS25015F06		.1875 (4.763)					#6-40
QPEMXLS25016F04	16	.1250 (3.175)	.407 (10.35)	.387 (9.84)	.591 (15)	.591 (15)	#4-40
QPEMXLS25016F06		.1875 (4.763)					#6-40
QPEMXLS25018F06	18	.1875 (4.763)	.458 (11.64)	.438 (11.13)	.630 (16)	.591 (15)	#6-40
QPEMXLS25018F08		.2500 (6.35)					#8-32
QPEMXLS25020F06	20	.1875 (4.763)	.509 (12.94)	.489 (12.43)	.709 (18)	.709 (18)	#6-40
QPEMXLS25020F08		.2500 (6.35)					#8-32

Bore Tolerance: $+0.0015 \begin{pmatrix} +0.038 \\ +0.0005 \end{pmatrix} \begin{pmatrix} +0.012 \\ +0.012 \end{pmatrix}$

Larger number of teeth on the next page

O.D. Tolerance: 15 to 20 teeth $+0.002 \begin{pmatrix} +0.05 \\ -0.000 \end{pmatrix} \begin{pmatrix} 0 \\ 0 \end{pmatrix}$





Quality
Transmission
Components

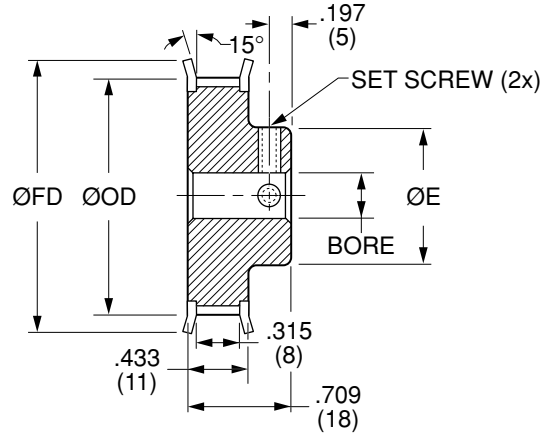
MXL Timing Belt Pulleys

INCH Pitch .080" (2.03 mm)
FOR BELTS UP TO 1/4" OR 6.35 mm WIDE

MXL TIMING BELT PULLEYS



MATERIAL: AISI 1045 Steel
FINISH: Black Oxide



NOTE: Dimensions in () are in mm.

Catalog Number	No. of Teeth	Bore	Pitch Diameter	Outside Diameter ØOD	Hub Diameter ØE	Flange Diameter ØFD	Set Screw
QPEMXLS25021F06	21	.1875 (4.763)	.535 (13.58)	.515 (13.07)	.394 (10)	.709 (18)	#6-40
QPEMXLS25021F08		.2500 (6.35)					#8-32
QPEMXLS25022F06	22	.1875 (4.763)	.560 (14.23)	.540 (13.72)	.394 (10)	.709 (18)	#6-40
QPEMXLS25022F08		.2500 (6.35)					#8-32
QPEMXLS25024F06	24	.1875 (4.763)	.611 (15.52)	.591 (15.02)	.433 (11)	.787 (20)	#6-40
QPEMXLS25024F08		.2500 (6.35)					#8-32
QPEMXLS25025F06	25	.1875 (4.763)	.637 (16.17)	.617 (15.66)	.472 (12)	.906 (23)	#6-40
QPEMXLS25025F08		.2500 (6.35)					#8-32
QPEMXLS25026F06	26	.1875 (4.763)	.662 (16.82)	.642 (16.31)	.472 (12)	.906 (23)	#6-40
QPEMXLS25026F08		.2500 (6.35)					#8-32
QPEMXLS25028F06	28	.1875 (4.763)	.713 (18.11)	.693 (17.6)	.492 (12.5)	.984 (25)	#6-40
QPEMXLS25028F08		.2500 (6.35)					#8-32
QPEMXLS25030F08	30	.2500 (6.35)	.764 (19.4)	.744 (18.9)	.512 (13)	.984 (25)	#8-32
QPEMXLS25030F10		.3125 (7.938)					#8-32
QPEMXLS25032F08	32	.2500 (6.35)	.815 (20.7)	.795 (20.19)	.591 (15)	1.102 (28)	#8-32
QPEMXLS25032F10		.3125 (7.938)					#8-32
QPEMXLS25036F08	36	.2500 (6.35)	.917 (23.29)	.897 (22.78)	.669 (17)	1.102 (28)	#8-32
QPEMXLS25036F10		.3125 (7.938)					#8-32

Bore Tolerance: +.0015 (+0.038)
+.0005 (+0.012)

Larger number of teeth on the next page

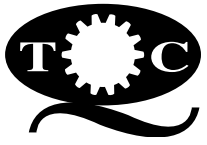
O.D. Tolerance: 21 to 36 teeth +.002 (+0.05)
-.000 (0)

www.econobelt.com



Quality Transmission Components

125 Railroad Avenue, Garden City Park, NY 11040-5016
Phone: (516) 437-6700 • Fax: (516) 328-3343
e-mail: support@econobelt.com



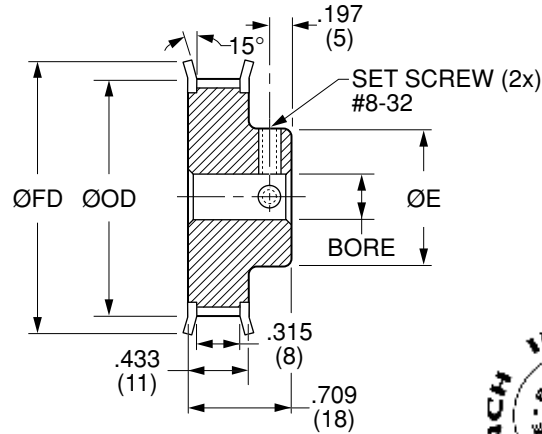
Quality
Transmission
Components

MXL Timing Belt Pulleys

**INCH Pitch .080" (2.03 mm)
FOR BELTS UP TO 1/4" OR 6.35 mm WIDE**



MATERIAL: AISI 1045 Steel
FINISH: Black Oxide



NOTE: Dimensions in () are in mm.

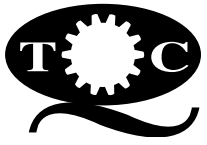
Catalog Number	No. of Teeth	Bore	Pitch Diameter	Outside Diameter ØOD	Hub Diameter ØE	Flange Diameter ØFD
QPEMXLS25040F08	40	.2500 (6.35)	1.019 (25.87)	.999 (25.36)	.748 (19)	1.220 (31)
QPEMXLS25040F10		.3125 (7.938)				
QPEMXLS25042F08	42	.2500 (6.35)	1.070 (27.17)	1.050 (26.66)	.827 (21)	1.299 (33)
QPEMXLS25042F10		.3125 (7.938)				
QPEMXLS25044F08	44	.2500 (6.35)	1.120 (28.46)	1.100 (27.95)	.866 (22)	1.378 (35)
QPEMXLS25044F10		.3125 (7.938)				
QPEMXLS25048F08	48	.2500 (6.35)	1.222 (31.05)	1.202 (30.54)	.945 (24)	1.496 (38)
QPEMXLS25048F10		.3125 (7.938)				
QPEMXLS25050F08	50	.2500 (6.35)	1.273 (32.34)	1.253 (31.83)	.945 (24)	1.496 (38)
QPEMXLS25050F10		.3125 (7.938)				
QPEMXLS25060F08	60	.2500 (6.35)	1.528 (38.81)	1.508 (38.3)	1.220 (31)	1.732 (44)
QPEMXLS25060F10		.3125 (7.938)				

Bore Tolerance: +.0015 (+0.038)
+.0005 (+0.012)

Larger number of teeth on the next page

O.D. Tolerance: 40 teeth +.002 (+0.05)
-.000 (0)
42 to 60 teeth +.003 (+0.08)
-.000 (0)





Quality
Transmission
Components

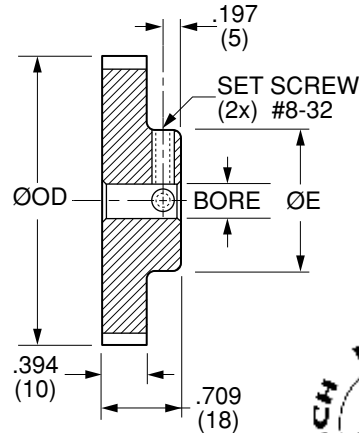
MXL Timing Belt Pulleys

**INCH Pitch .080" (2.03 mm)
FOR BELTS UP TO 1/4" OR 6.35 mm WIDE**

MXL TIMING BELT PULLEYS



MATERIAL: AISI 1045 Steel
FINISH: Black Oxide



NOTE: Dimensions in () are in mm.

Catalog Number	No. of Teeth	Bore	Pitch Diameter	Outside Diameter ØOD	Hub Diameter ØE
QPEMXLS25060N08 QPEMXLS25060N10	60	.2500 (6.35) .3125 (7.938)	1.528 (38.81)	1.508 (38.3)	1.142 (29)
QPEMXLS25065N08 QPEMXLS25065N10	65	.2500 (6.35) .3125 (7.938)	1.655 (42.04)	1.635 (41.53)	1.181 (30)
QPEMXLS25072N08 QPEMXLS25072N10	72	.2500 (6.35) .3125 (7.938)	1.833 (46.57)	1.813 (46.06)	1.260 (32)
QPEMXLS25080N08 QPEMXLS25080N10	80	.2500 (6.35) .3125 (7.938)	2.037 (51.74)	2.017 (51.24)	1.575 (40)
QPEMXLS25090N08 QPEMXLS25090N10	90	.2500 (6.35) .3125 (7.938)	2.292 (58.21)	2.272 (57.7)	1.575 (40)
QPEMXLS25100N10 QPEMXLS25100N12	100	.3125 (7.938) .3750 (9.525)	2.546 (64.68)	2.526 (64.17)	1.772 (45)
QPEMXLS25120N10 QPEMXLS25120N12	120	.3125 (7.938) .3750 (9.525)	3.056 (77.62)	3.036 (77.11)	1.969 (50)

Bore Tolerance: $+.0015 \begin{pmatrix} +0.038 \\ +0.0005 \end{pmatrix}$
 $+0.0005 \begin{pmatrix} +0.012 \\ +0.0005 \end{pmatrix}$

O.D. Tolerance: 60 to 72 teeth $+.003 \begin{pmatrix} +0.08 \\ -0.000 \end{pmatrix}$
80 to 120 teeth $+.004 \begin{pmatrix} +0.10 \\ -0.000 \end{pmatrix}$

www.econobelt.com



Quality Transmission Components

125 Railroad Avenue, Garden City Park, NY 11040-5016
Phone: (516) 437-6700 • Fax: (516) 328-3343
e-mail: support@econobelt.com