

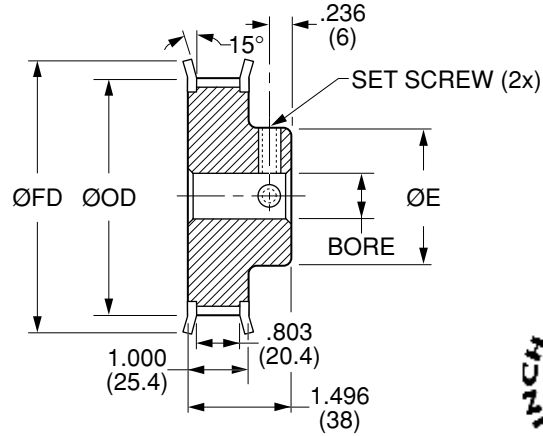
Quality
Transmission
Components

L Timing Belt Pulleys

**INCH Pitch 3/8" (9.53 mm)
FOR BELTS UP TO 3/4" OR 19.1 mm WIDE**



MATERIAL: 2024-T4 or 2024-T351
Aluminum Alloy
FINISH: Clear Anodize



NOTE: Dimensions in () are in mm.

L TIMING BELT PULLEYS

Catalog Number	No. of Teeth	Bore	Pitch Diameter	Outside Diameter ØOD	Hub Diameter ØE	Flange Diameter ØFD	Set Screw
QPELA75010F12 QPELA75010F16	10	.3750 (9.525) .5000 (12.7)	1.194 (30.32)	1.164 (29.56)	.787 (20)	1.457 (37)	#10 – 32 1/4 – 20
QPELA75011F12 QPELA75011F16	11	.3750 (9.525) .5000 (12.7)	1.313 (33.35)	1.283 (32.59)	.866 (22)	1.457 (37)	#10 – 32 1/4 – 20
QPELA75012F12 QPELA75012F16	12	.3750 (9.525) .5000 (12.7)	1.432 (36.38)	1.402 (35.62)	.945 (24)	1.693 (43)	#10 – 32 1/4 – 20
QPELA75013F12 QPELA75013F16	13	.3750 (9.525) .5000 (12.7)	1.552 (39.41)	1.522 (38.65)	1.102 (28)	1.693 (43)	#10 – 32 1/4 – 20
QPELA75014F12 QPELA75014F16	14	.3750 (9.525) .5000 (12.7)	1.671 (42.45)	1.641 (41.68)	1.102 (28)	1.890 (48)	#10 – 32 1/4 – 20
QPELA75015F12 QPELA75015F16	15	.3750 (9.525) .5000 (12.7)	1.790 (45.48)	1.760 (44.72)	1.339 (34)	2.008 (51)	#10 – 32 1/4 – 20
QPELA75016F16 QPELA75016F20	16	.5000 (12.7) .6250 (15.875)	1.910 (48.51)	1.880 (47.75)	1.417 (36)	2.126 (54)	1/4 – 20
QPELA75017F16 QPELA75017F20	17	.5000 (12.7) .6250 (15.875)	2.029 (51.54)	1.999 (50.78)	1.417 (36)	2.244 (57)	1/4 – 20
QPELA75018F16 QPELA75018F20	18	.5000 (12.7) .6250 (15.875)	2.149 (54.57)	2.119 (53.81)	1.575 (40)	2.362 (60)	1/4 – 20
QPELA75019F16 QPELA75019F20	19	.5000 (12.7) .6250 (15.875)	2.268 (57.61)	2.238 (56.84)	1.575 (40)	2.520 (64)	1/4 – 20

Bore Tolerance: +.0015 (+0.038)
+.0005 (+0.012)

Larger number of teeth on the next page

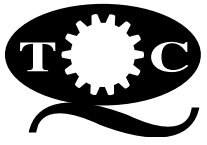
O.D. Tolerance: 10 to 17 teeth +.003 (+0.08)
-.000 (0)
18 & 19 teeth +.004 (+0.10)
-.000 (0)

www.econobelt.com



Quality Transmission Components

125 Railroad Avenue, Garden City Park, NY 11040-5016
Phone: (516) 437-6700 • Fax: (516) 328-3343
e-mail: support@econobelt.com



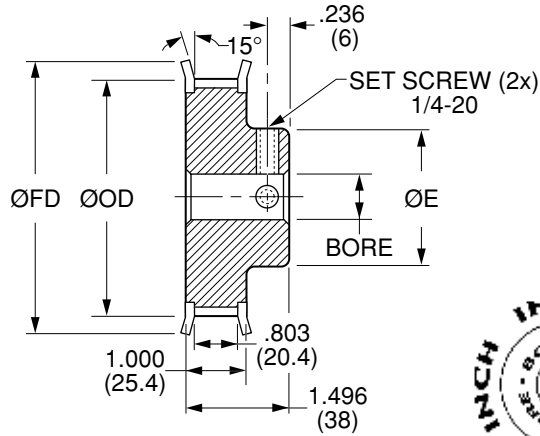
Quality
Transmission
Components

L Timing Belt Pulleys

**INCH Pitch 3/8" (9.53 mm)
FOR BELTS UP TO 3/4" OR 19.1 mm WIDE**



MATERIAL: 2024-T4 or 2024-T351
Aluminum Alloy
FINISH: Clear Anodize



NOTE: Dimensions in () are in mm.

Catalog Number	No. of Teeth	Bore	Pitch Diameter	Outside Diameter ØOD	Hub Diameter ØE	Flange Diameter ØFD
QPELA75020F16 QPELA75020F20	20	.5000 (12.7) .6250 (15.875)	2.387 (60.64)	2.357 (59.88)	1.575 (40)	2.618 (66.5)
QPELA75021F16 QPELA75021F20	21	.5000 (12.7) .6250 (15.875)	2.507 (63.47)	2.477 (62.91)	1.772 (45)	2.756 (70)
QPELA75022F16 QPELA75022F20	22	.5000 (12.7) .6250 (15.875)	2.626 (66.7)	2.596 (65.94)	1.772 (45)	2.953 (75)
QPELA75023F16 QPELA75023F20	23	.5000 (12.7) .6250 (15.875)	2.745 (69.73)	2.715 (68.97)	2.165 (55)	3.110 (79)
QPELA75024F16 QPELA75024F20	24	.5000 (12.7) .6250 (15.875)	2.865 (72.77)	2.835 (72)	2.165 (55)	3.110 (79)
QPELA75025F16 QPELA75025F20	25	.5000 (12.7) .6250 (15.875)	2.984 (75.8)	2.954 (75.04)	2.284 (58)	3.248 (82.5)
QPELA75026F16 QPELA75026F20	26	.5000 (12.7) .6250 (15.875)	3.104 (78.83)	3.074 (78.07)	2.284 (58)	3.386 (86)
QPELA75027F16 QPELA75027F20	27	.5000 (12.7) .6250 (15.875)	3.223 (81.86)	3.193 (81.1)	2.284 (58)	3.386 (86)
QPELA75028F16 QPELA75028F20	28	.5000 (12.7) .6250 (15.875)	3.342 (84.89)	3.312 (84.13)	2.756 (70)	3.583 (91)
QPELA75030F16 QPELA75030F20	30	.5000 (12.7) .6250 (15.875)	3.581 (90.96)	3.551 (90.19)	2.756 (70)	3.819 (97)

Bore Tolerance: +.0015 (+0.038)
+.0005 (+0.012)

O.D. Tolerance: 20 to 30 teeth +.004 (+0.10)
-.000 (0)

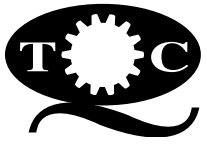
L TIMING BELT PULLEYS

www.econobelt.com



Quality Transmission Components

125 Railroad Avenue, Garden City Park, NY 11040-5016
Phone: (516) 437-6700 • Fax: (516) 328-3343
e-mail: support@econobelt.com



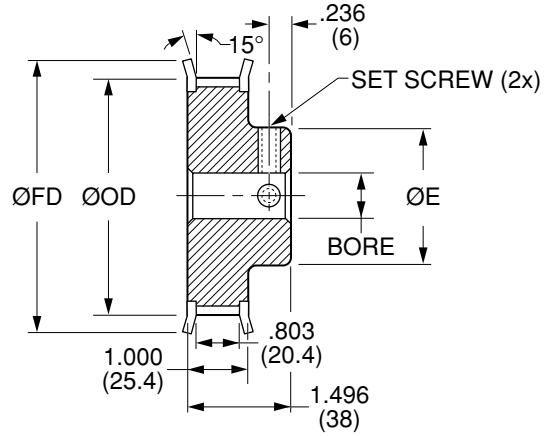
Quality
Transmission
Components

L Timing Belt Pulleys

**INCH Pitch 3/8" (9.53 mm)
FOR BELTS UP TO 3/4" OR 19.1 mm WIDE**



MATERIAL: AISI 1045 Steel
FINISH: Black Oxide



NOTE: Dimensions in () are in mm.

Catalog Number	No. of Teeth	Bore	Pitch Diameter	Outside Diameter ØOD	Hub Diameter ØE	Flange Diameter ØFD	Tap
QPELS75010F12 QPELS75010F16	10	.3750 (9.525) .5000 (12.7)	1.194 (30.32)	1.164 (29.56)	.787 (20)	1.457 (37)	#10-32 1/4-20
QPELS75011F12 QPELS75011F16	11	.3750 (9.525) .5000 (12.7)	1.313 (33.35)	1.283 (32.59)	.866 (22)	1.457 (37)	#10-32 1/4-20
QPELS75012F12 QPELS75012F16	12	.3750 (9.525) .5000 (12.7)	1.432 (36.38)	1.402 (35.62)	.945 (24)	1.693 (43)	#10-32 1/4-20
QPELS75013F12 QPELS75013F16	13	.3750 (9.525) .5000 (12.7)	1.552 (39.41)	1.522 (38.65)	1.102 (28)	1.693 (43)	#10-32 1/4-20
QPELS75014F12 QPELS75014F16	14	.3750 (9.525) .5000 (12.7)	1.671 (42.45)	1.641 (41.68)	1.102 (28)	1.890 (48)	#10-32 1/4-20
QPELS75015F12 QPELS75015F16	15	.3750 (9.525) .5000 (12.7)	1.790 (45.48)	1.760 (44.72)	1.339 (34)	2.008 (51)	#10-32 1/4-20
QPELS75016F16 QPELS75016F20	16	.5000 (12.7) .6250 (15.875)	1.910 (48.51)	1.880 (47.75)	1.417 (36)	2.126 (54)	1/4-20
QPELS75017F16 QPELS75017F20	17	.5000 (12.7) .6250 (15.875)	2.029 (51.54)	1.999 (50.78)	1.417 (36)	2.244 (57)	1/4-20
QPELS75018F16 QPELS75018F20	18	.5000 (12.7) .6250 (15.875)	2.149 (54.57)	2.119 (53.81)	1.575 (40)	2.362 (60)	1/4-20
QPELS75019F16 QPELS75019F20	19	.5000 (12.7) .6250 (15.875)	2.268 (57.61)	2.238 (56.84)	1.575 (40)	2.520 (64)	1/4-20

Bore Tolerance: +.0015 (+0.038)
+.0005 (+0.012)

Larger number of teeth on the next page

O.D. Tolerance: 10 to 17 teeth +.003 (+0.08)
-.000 (0)
18 & 19 teeth +.004 (+0.10)
-.000 (0)

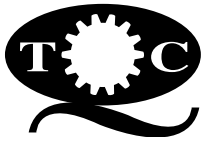
L TIMING BELT PULLEYS

www.econobelt.com



Quality Transmission Components

125 Railroad Avenue, Garden City Park, NY 11040-5016
Phone: (516) 437-6700 • Fax: (516) 328-3343
e-mail: support@econobelt.com

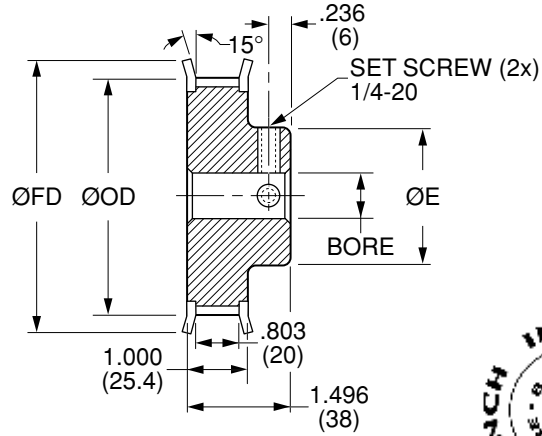


L Timing Belt Pulleys

**INCH Pitch 3/8" (9.53 mm)
FOR BELTS UP TO 3/4" OR 19.1 mm WIDE**



MATERIAL: AISI 1045 Steel
FINISH: Black Oxide



NOTE: Dimensions in () are in mm.

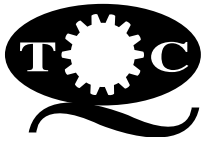
Catalog Number	No. of Teeth	Bore	Pitch Diameter	Outside Diameter ØOD	Hub Diameter ØE	Flange Diameter ØFD
QPELS75020F16 QPELS75020F20	20	.5000 (12.7) .6250 (15.875)	2.387 (60.64)	2.357 (59.88)	1.575 (40)	2.618 (66.5)
QPELS75021F16 QPELS75021F20	21	.5000 (12.7) .6250 (15.875)	2.507 (63.67)	2.477 (62.91)	1.772 (45)	2.756 (70)
QPELS75022F16 QPELS75022F20	22	.5000 (12.7) .6250 (15.875)	2.626 (66.7)	2.596 (65.94)	1.772 (45)	2.953 (75)
QPELS75023F16 QPELS75023F20	23	.5000 (12.7) .6250 (15.875)	2.745 (69.73)	2.715 (68.97)	2.165 (55)	3.110 (79)
QPELS75024F16 QPELS75024F20	24	.5000 (12.7) .6250 (15.875)	2.865 (72.77)	2.835 (72)	2.165 (55)	3.110 (79)
QPELS75025F16 QPELS75025F20	25	.5000 (12.7) .6250 (15.875)	2.984 (75.8)	2.954 (75.04)	2.284 (58)	3.248 (82.5)
QPELS75026F16 QPELS75026F20	26	.5000 (12.7) .6250 (15.875)	3.104 (78.83)	3.074 (78.07)	2.284 (58)	3.386 (86)
QPELS75027F16 QPELS75027F20	27	.5000 (12.7) .6250 (15.875)	3.223 (81.86)	3.193 (81.1)	2.284 (58)	3.386 (86)
QPELS75028F16 QPELS75028F20	28	.5000 (12.7) .6250 (15.875)	3.342 (84.89)	3.312 (84.13)	2.756 (70)	3.583 (91)
QPELS75030F16 QPELS75030F20	30	.5000 (12.7) .6250 (15.875)	3.581 (90.96)	3.551 (90.19)	2.756 (70)	3.819 (97)

Bore Tolerance: +.0015 (+0.038)
+.0005 (+0.012)

Larger number of teeth on the next page

O.D. Tolerance: 20 to 30 teeth +.004 (+0.1)
-.000 (0)





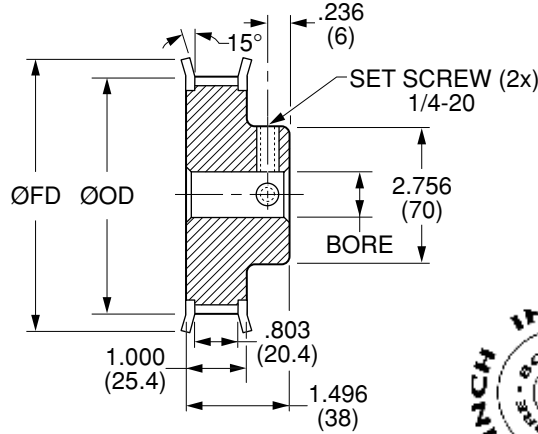
Quality
Transmission
Components

L Timing Belt Pulleys

**INCH Pitch 3/8" (9.53 mm)
FOR BELTS UP TO 3/4" OR 19.1 mm WIDE**



MATERIAL: AISI 1045 Steel
FINISH: Black Oxide



NOTE: Dimensions in () are in mm.

L TIMING BELT PULLEYS

Catalog Number	No. of Teeth	Bore	Pitch Diameter	Outside Diameter ØOD	Flange Diameter ØFD
QPELS75032F16 QPELS75032F20	32	.5000 (12.7) .6250 (15.875)	3.820 (97.02)	3.790 (96.26)	4.016 (102)
QPELS75033F16 QPELS75033F20	33	.5000 (12.7) .6250 (15.875)	3.939 (100.05)	3.909 (99.29)	4.173 (106)
QPELS75034F16 QPELS75034F20	34	.5000 (12.7) .6250 (15.875)	4.058 (103.08)	4.028 (102.32)	4.409 (112)
QPELS75035F16 QPELS75035F20	35	.5000 (12.7) .6250 (15.875)	4.178 (106.12)	4.148 (105.35)	4.409 (112)
QPELS75036F16 QPELS75036F20	36	.5000 (12.7) .6250 (15.875)	4.297 (109.15)	4.267 (108.39)	4.528 (115)
QPELS75038F16 QPELS75038F20	38	.5000 (12.7) .6250 (15.875)	4.536 (115.21)	4.506 (114.45)	4.724 (120)
QPELS75040F16 QPELS75040F20	40	.5000 (12.7) .6250 (15.875)	4.775 (121.28)	4.745 (120.51)	5.039 (128)
QPELS75042F16 QPELS75042F20	42	.5000 (12.7) .6250 (15.875)	5.013 (127.34)	4.983 (126.58)	5.315 (135)
QPELS75044F16 QPELS75044F20	44	.5000 (12.7) .6250 (15.875)	5.252 (133.4)	5.222 (132.64)	5.591 (142)
QPELS75045F16 QPELS75045F20	45	.5000 (12.7) .6250 (15.875)	5.371 (136.44)	5.341 (135.67)	5.591 (142)
QPELS75048F16 QPELS75048F20	48	.5000 (12.7) .6250 (15.875)	5.730 (145.53)	5.700 (144.77)	5.906 (150)

Bore Tolerance: +.0015 (+0.038)
+.0005 (+0.012)

Larger number of teeth on the next page

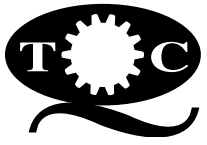
O.D. Tolerance: 32 & 33 teeth +.004 (+0.10)
-.000 (0)
34 to 48 teeth +.005 (+0.13)
-.000 (0)

www.econobelt.com



Quality Transmission Components

125 Railroad Avenue, Garden City Park, NY 11040-5016
Phone: (516) 437-6700 • Fax: (516) 328-3343
e-mail: support@econobelt.com

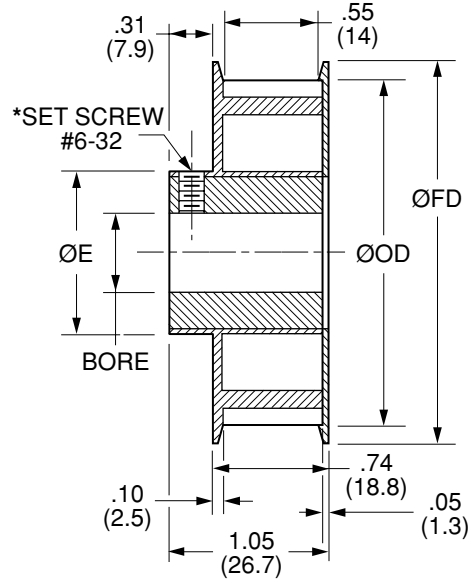


L Timing Belt Pulleys

**INCH Pitch 3/8" (9.53 mm)
FOR BELTS UP TO 1/2" OR 12.7 mm WIDE**



MATERIAL:
Pulley - Nylon – Black, Fiberglass Reinforced
Insert - Aluminum



NOTE: Dimensions in () are mm.

L TIMING BELT PULLEYS

Catalog Number	No. of Teeth	Bore	P.D.	ØOD ±.005 (±0.13)	Hub Diameter ØE	Flange Diameter ØFD
QPELN50010F08	10	.2500 (6.35)	1.194 (30.33)	1.164 (29.57)	.88 (22.4)	1.49 (37.8)
QPELN50010F10		.3125 (7.94)				
QPELN50010F12		.3750 (9.53)				
QPELN50011F08	11	.2500 (6.35)	1.313 (33.35)	1.283 (32.59)	.88 (22.4)	1.63 (41.4)
QPELN50011F10		.3125 (7.94)				
QPELN50011F12		.3750 (9.53)				
QPELN50012F08	12	.2500 (6.35)	1.432 (36.37)	1.402 (35.61)	.88 (22.4)	1.73 (43.9)
QPELN50012F10		.3125 (7.94)				
QPELN50012F12		.3750 (9.53)				
QPELN50013F08	13	.2500 (6.35)	1.552 (39.42)	1.522 (38.66)	1.00 (25.4)	1.79 (45.5)
QPELN50013F10		.3125 (7.94)				
QPELN50013F12		.3750 (9.53)				
QPELN50014F08	14	.2500 (6.35)	1.671 (42.44)	1.641 (41.68)	1.25 (31.8)	2.00 (50.8)
QPELN50014F10		.3125 (7.94)				
QPELN50014F12		.3750 (9.53)				
QPELN50014F16		.5000 (12.7)				

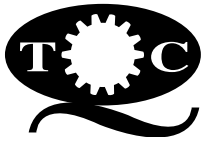
Bore Tolerance: +.0015 (+0.038)
+.0005 (+0.012)

Larger number of teeth on the next page

For .5000" bore, *Set Screw is #10-24

Other bore sizes available on special request.
See page 1-98, 99



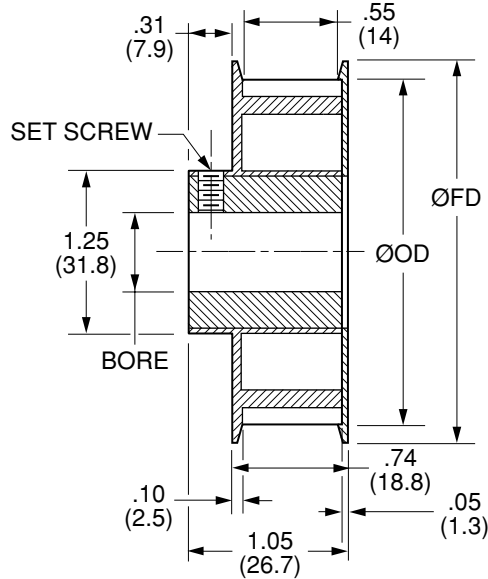


L Timing Belt Pulleys

INCH Pitch 3/8" (9.53 mm)
FOR BELTS UP TO 1/2" OR 12.7 mm WIDE



MATERIAL:
Pulley - Nylon – Black, Fiberglass Reinforced
Insert - Aluminum



NOTE: Dimensions in () are mm.

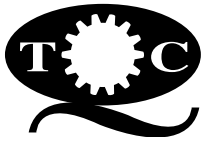
Catalog Number	No. of Teeth	Bore	P.D.	ØOD ± .005 (± 0.13)	Flange Diameter ØFD	Set Screw
QPELN50015F08	15	.2500 (6.35)	1.790 (45.47)	1.760 (44.7)	2.12 (53.8)	#6-32
QPELN50015F10		.3125 (7.94)				#6-32
QPELN50015F12		.3750 (9.53)				#6-32
QPELN50015F16		.5000 (12.7)				#10-24
QPELN50016F08	16	.2500 (6.35)	1.910 (48.51)	1.880 (47.75)	2.22 (56.4)	#6-32
QPELN50016F10		.3125 (7.94)				#6-32
QPELN50016F12		.3750 (9.53)				#6-32
QPELN50016F16		.5000 (12.7)				#10-24
QPELN50017F08	17	.2500 (6.35)	2.029 (51.54)	1.999 (50.78)	2.34 (59.4)	#6-32
QPELN50017F10		.3125 (7.94)				#6-32
QPELN50017F12		.3750 (9.53)				#6-32
QPELN50017F16		.5000 (12.7)				#10-24

Bore Tolerance: +.0015 (+0.038)
+.0005 (+0.012)

Larger number of teeth on the next page

Other bore sizes available on special request.
See page 1-100



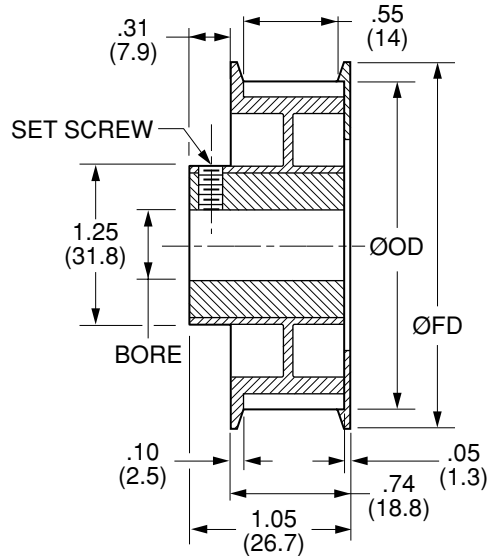


L Timing Belt Pulleys

**INCH Pitch 3/8" (9.53 mm)
FOR BELTS UP TO 1/2" OR 12.7 mm WIDE**



MATERIAL:
Pulley - Nylon – Black, Fiberglass Reinforced
Insert - Aluminum



NOTE: Dimensions in () are mm.

L TIMING BELT PULLEYS

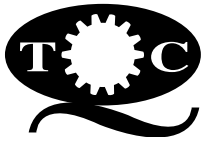
Catalog Number	No. of Teeth	Bore	P.D.	ØOD ±.005 (±0.13)	Flange Diameter ØFD	Set Screw
QPELN50018F08	18	.2500 (6.35)	2.149 (54.58)	2.119 (53.82)	2.47 (62.7)	#6-32
QPELN50018F10		.3125 (7.94)				#6-32
QPELN50018F12		.3750 (9.53)				#6-32
QPELN50018F16		.5000 (12.7)				#10-24
QPELN50019F08	19	.2500 (6.35)	2.268 (57.61)	2.238 (56.85)	2.50 (63.5)	#6-32
QPELN50019F10		.3125 (7.94)				#6-32
QPELN50019F12		.3750 (9.53)				#6-32
QPELN50019F16		.5000 (12.7)				#10-24
QPELN50020F08	20	.2500 (6.35)	2.387 (60.63)	2.357 (59.87)	2.74 (69.6)	#6-32
QPELN50020F10		.3125 (7.94)				#6-32
QPELN50020F12		.3750 (9.53)				#6-32
QPELN50020F16		.5000 (12.7)				#10-24
QPELN50021F08	21	.2500 (6.35)	2.507 (63.68)	2.477 (62.92)	2.85 (72.4)	#6-32
QPELN50021F10		.3125 (7.94)				#6-32
QPELN50021F12		.3750 (9.53)				#6-32
QPELN50021F16		.5000 (12.7)				#10-24

Bore Tolerance: +.0015 (+0.038)
+.0005 (+0.012)

Larger number of teeth on the next page

Other bore sizes available on special request.
See page 1-101, 102





L Timing Belt Pulleys

INCH Pitch 3/8" (9.53 mm)

FOR BELTS UP TO 1/2" OR 12.7 mm WIDE

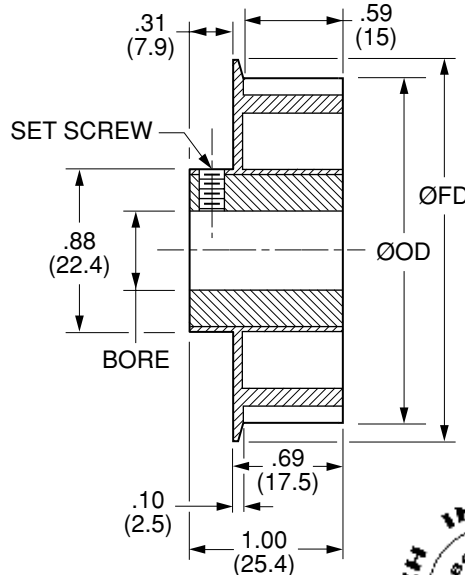


Fig. 1
SINGLE FLANGE

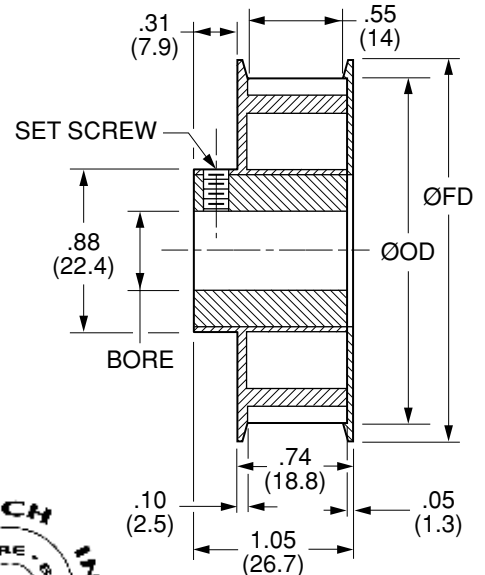


Fig. 2
DOUBLE FLANGE



MATERIAL:
Pulley - Nylon – Black, Fiberglass Reinforced
Insert - Aluminum

L TIMING BELT PULLEYS

These bore sizes available on special request

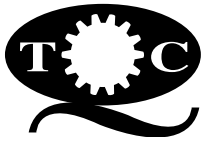
NOTE: Dimensions in () are in mm.

Catalog Number	No. of Teeth	Fig. No.	Bore	P.D.	ØOD ±.005 (±0.13)	Flange Dia. ØFD	Set Screw
QPELN50010S08	10	1	.2500 (6.35)	1.194 (30.33)	1.164 (29.57)	1.49 (37.8)	#6-32
QPELN50010S10		1	.3125 (7.94)				#6-32
QPELN50010S12		1	.3750 (9.53)				#6-32
QPELN50010S16		1	.5000 (12.7)				#10-24
QPELN50010F16		2	.5000 (12.7)				#10-24
QPELN50011S08	11	1	.2500 (6.35)	1.313 (33.35)	1.283 (32.59)	1.63 (41.4)	#6-32
QPELN50011S10		1	.3125 (7.94)				#6-32
QPELN50011S12		1	.3750 (9.53)				#6-32
QPELN50011S16		1	.5000 (12.7)				#10-24
QPELN50011F16		2	.5000 (12.7)				#10-24
QPELN50012S08	12	1	.2500 (6.35)	1.432 (36.37)	1.402 (35.61)	1.73 (43.9)	#6-32
QPELN50012S10		1	.3125 (7.94)				#6-32
QPELN50012S12		1	.3750 (9.53)				#6-32
QPELN50012S16		1	.5000 (12.7)				#10-24
QPELN50012F16		2	.5000 (12.7)				#10-24

Bore Tolerance: +.0015 (+0.038)
+.0005 (+0.012)

Larger number of teeth on the next page





L Timing Belt Pulleys

**INCH Pitch 3/8" (9.53 mm)
FOR BELTS UP TO 1/2" OR 12.7 mm WIDE**

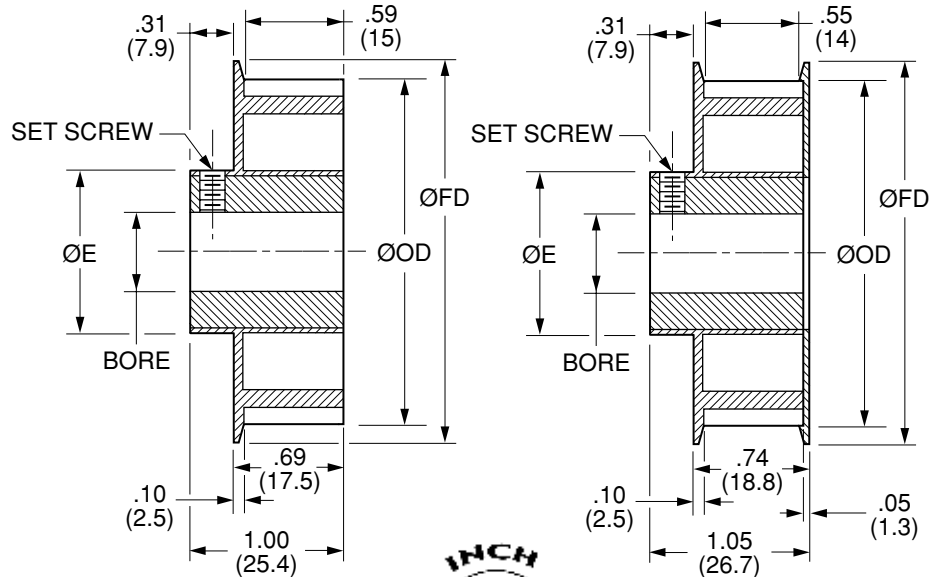


Fig. 1
SINGLE FLANGE

Fig. 2
DOUBLE FLANGE



MATERIAL:

Pulley - Nylon – Black, Fiberglass Reinforced
Insert - Aluminum

These bore sizes available on special request

NOTE: Dimensions in () are in mm.

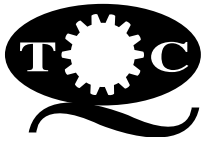
Catalog Number	No. of Teeth	Fig. No.	Bore	P.D.	ØOD ±.005 (±0.13)	Hub Diameter ØE	Flange Diameter ØFD	Set Screw
QPELN50013S08	13	1	.2500 (6.35)	1.552 (39.42)	1.522 (38.66)	1.00 (25.4)	1.79 (45.5)	#6-32
QPELN50013S10		1	.3125 (7.94)					#6-32
QPELN50013S12		1	.3750 (9.53)					#6-32
QPELN50013S16		1	.5000 (12.7)					#10-24
QPELN50013F16		2	.5000 (12.7)					#10-24
QPELN50014S08	14	1	.2500 (6.35)	1.671 (42.44)	1.641 (41.68)	1.25 (31.8)	2.00 (50.8)	#6-32
QPELN50014S10		1	.3125 (7.94)					#6-32
QPELN50014S12		1	.3750 (9.53)					#6-32
QPELN50014S16		1	.5000 (12.7)					#10-24
QPELN50014S20		1	.6250 (15.88)					#10-24
QPELN50014F20		2	.6250 (15.88)					#10-24

Bore Tolerance: +.0015 (+0.038)
+.0005 (+0.012)

Larger number of teeth on the next page

L TIMING BELT PULLEYS

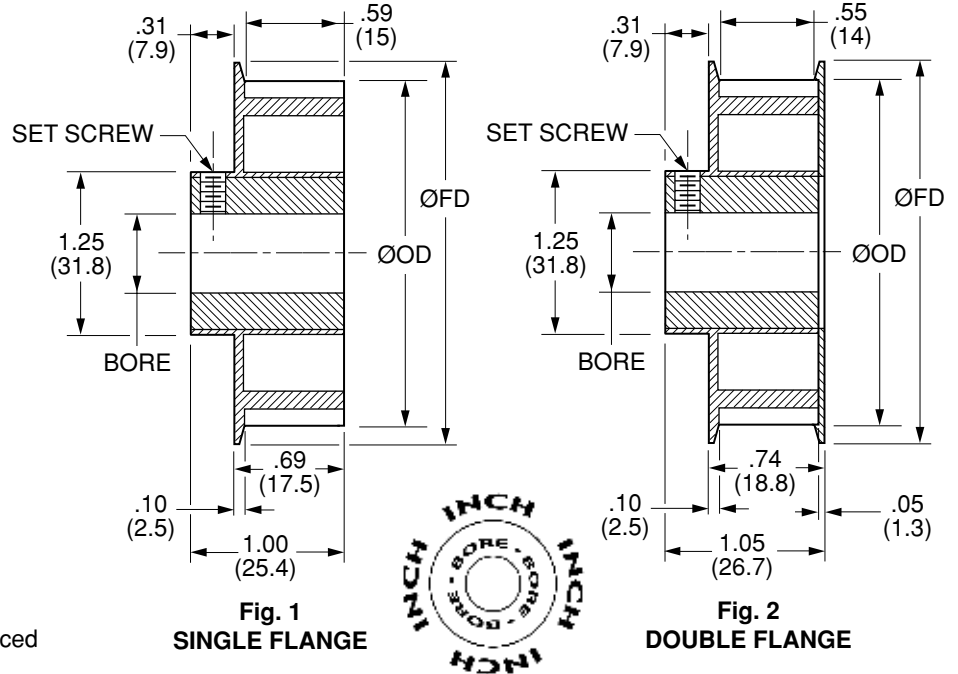




L Timing Belt Pulleys

INCH Pitch 3/8" (9.53 mm)

FOR BELTS UP TO 1/2" OR 12.7 mm WIDE



MATERIAL:
Pulley - Nylon – Black, Fiberglass Reinforced
Insert - Aluminum

These bore sizes available on special request

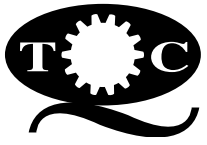
NOTE: Dimensions in () are in mm.

Catalog Number	No. of Teeth	Fig. No.	Bore	P.D.	ØOD ±.005 (±0.13)	Flange Dia. ØFD	Set Screw
QPELN50015S08	15	1	.2500 (6.35)	1.790 (45.47)	1.760 (44.7)	2.12 (53.8)	#6-32
QPELN50015S10		1	.3125 (7.94)				#6-32
QPELN50015S12		1	.3750 (9.53)				#6-32
QPELN50015S16		1	.5000 (12.7)				#10-24
QPELN50015S20		1	.6250 (15.88)				#10-24
QPELN50015F20		2	.6250 (15.88)				#10-24
QPELN50016S08	16	1	.2500 (6.35)	1.910 (48.51)	1.880 (47.75)	2.22 (56.4)	#6-32
QPELN50016S10		1	.3125 (7.94)				#6-32
QPELN50016S12		1	.3750 (9.53)				#6-32
QPELN50016S16		1	.5000 (12.7)				#10-24
QPELN50016S20		1	.6250 (15.88)				#10-24
QPELN50016F20		2	.6250 (15.88)				#10-24
QPELN50017S08	17	1	.2500 (6.35)	2.029 (51.54)	1.999 (50.78)	2.34 (59.4)	#6-32
QPELN50017S10		1	.3125 (7.94)				#6-32
QPELN50017S12		1	.3750 (9.53)				#6-32
QPELN50017S16		1	.5000 (12.7)				#10-24
QPELN50017S20		1	.6250 (15.88)				#10-24
QPELN50017F20		2	.6250 (15.88)				#10-24

Bore Tolerance: +.0015 (+0.038)
+.0005 (+0.012)

Larger number of teeth on the next page





L Timing Belt Pulleys

INCH Pitch 3/8" (9.53 mm)

FOR BELTS UP TO 1/2" OR 12.7 mm WIDE

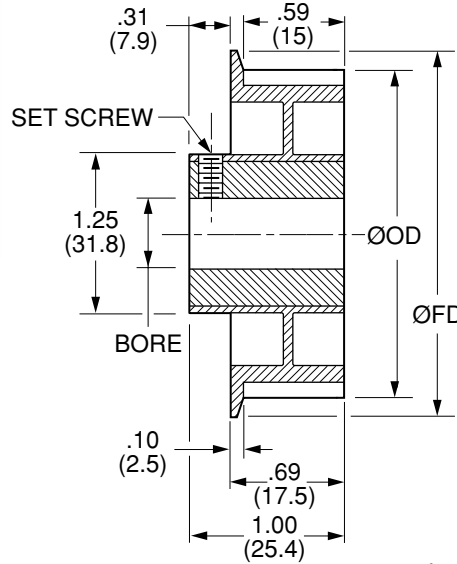
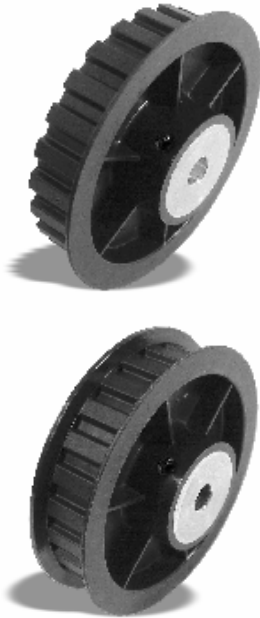


Fig. 1
SINGLE FLANGE

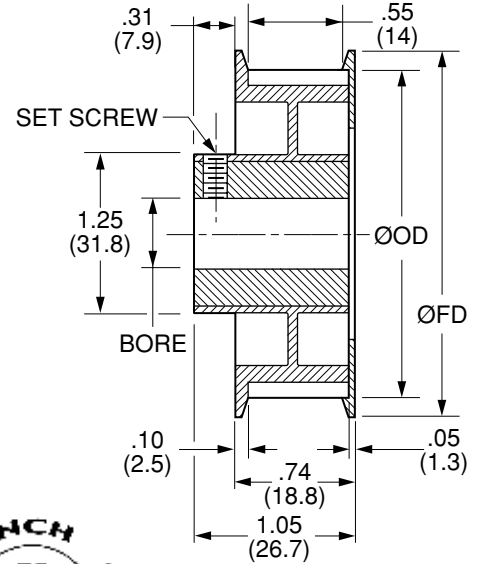


Fig. 2
DOUBLE FLANGE



MATERIAL:

Pulley - Nylon – Black, Fiberglass Reinforced
Insert - Aluminum

These bore sizes available on special request

NOTE: Dimensions in () are in mm.

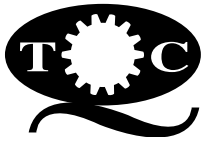
Catalog Number	No. of Teeth	Fig. No.	Bore	P.D.	ØOD ± .005 (± 0.13)	Flange Dia. ØFD	Set Screw
QPELN50018S08	18	1	.2500 (6.35)	2.149 (54.58)	2.119 (53.82)	2.47 (62.7)	#6-32
QPELN50018S10		1	.3125 (7.94)				#6-32
QPELN50018S12		1	.3750 (9.53)				#6-32
QPELN50018S16		1	.5000 (12.7)				#10-24
QPELN50018S20		1	.6250 (15.88)				#10-24
QPELN50018F20		2	.6250 (15.88)				#10-24
QPELN50018S24		1	.7500 (19.05)				1/4-20
QPELN50018F24		2	.7500 (19.05)				1/4-20
QPELN50019S08	19	1	.2500 (6.35)	2.268 (57.61)	2.238 (56.85)	2.50 (63.5)	#6-32
QPELN50019S10		1	.3125 (7.94)				#6-32
QPELN50019S12		1	.3750 (9.53)				#6-32
QPELN50019S16		1	.5000 (12.7)				#10-24
QPELN50019S20		1	.6250 (15.88)				#10-24
QPELN50019F20		2	.6250 (15.88)				#10-24
QPELN50019S24		1	.7500 (19.05)				1/4-20
QPELN50019F24		2	.7500 (19.05)				1/4-20

Bore Tolerance: +.0015 (+0.038)
+.0005 (+0.012)

Larger number of teeth on the next page

L TIMING BELT PULLEYS





L Timing Belt Pulleys

INCH Pitch 3/8" (9.53 mm)
FOR BELTS UP TO 1/2" OR 12.7 mm WIDE

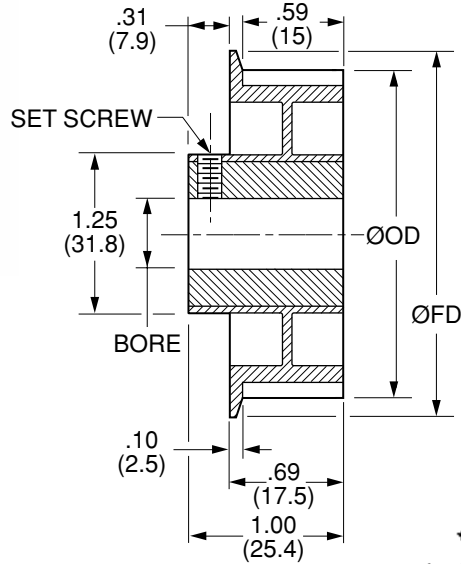
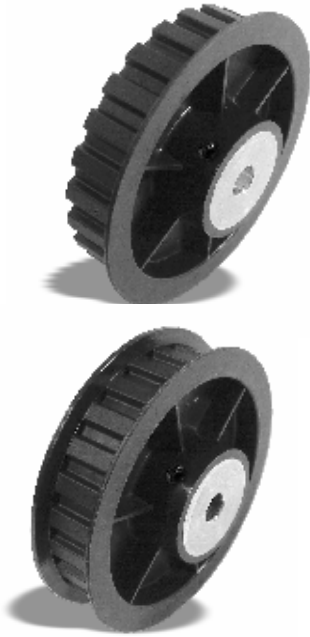


Fig. 1
SINGLE FLANGE

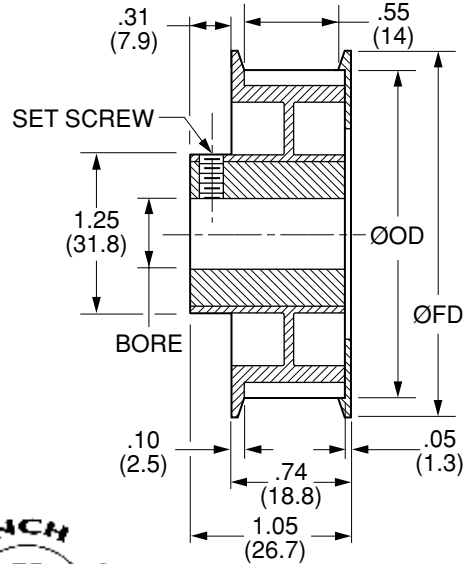


Fig. 2
DOUBLE FLANGE



MATERIAL:
Pulley - Nylon – Black, Fiberglass Reinforced
Insert - Aluminum

These bore sizes available on special request

NOTE: Dimensions in () are in mm.

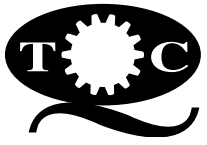
Catalog Number	No. of Teeth	Fig. No.	Bore	P.D.	ØOD ±.005 (±0.13)	Flange Dia. ØFD	Set Screw
QPELN50020S08	20	1	.2500 (6.35)	2.387 (60.63)	2.357 (59.87)	2.74 (69.6)	#6-32
QPELN50020S10		1	.3125 (7.94)				#6-32
QPELN50020S12		1	.3750 (9.53)				#6-32
QPELN50020S16		1	.5000 (12.7)				#10-24
QPELN50020S20		1	.6250 (15.88)				#10-24
QPELN50020F20		2	.6250 (15.88)				#10-24
QPELN50020S24		1	.7500 (19.05)				1/4-20
QPELN50020F24		2	.7500 (19.05)				1/4-20
QPELN50021S08	21	1	.2500 (6.35)	2.507 (63.68)	2.477 (62.92)	2.85 (72.4)	#6-32
QPELN50021S10		1	.3125 (7.94)				#6-32
QPELN50021S12		1	.3750 (9.53)				#6-32
QPELN50021S16		1	.5000 (12.7)				#10-24
QPELN50021S20		1	.6250 (15.88)				#10-24
QPELN50021F20		2	.6250 (15.88)				#10-24
QPELN50021S24		1	.7500 (19.05)				1/4-20
QPELN50021F24		2	.7500 (19.05)				1/4-20

Bore Tolerance: +.0015 (+0.038)
+.0005 (+0.012)

Larger number of teeth on the next page

L TIMING BELT PULLEYS





L Timing Belt Pulleys

INCH Pitch 3/8" (9.53 mm)
FOR BELTS UP TO 1/2" OR 12.7 mm WIDE

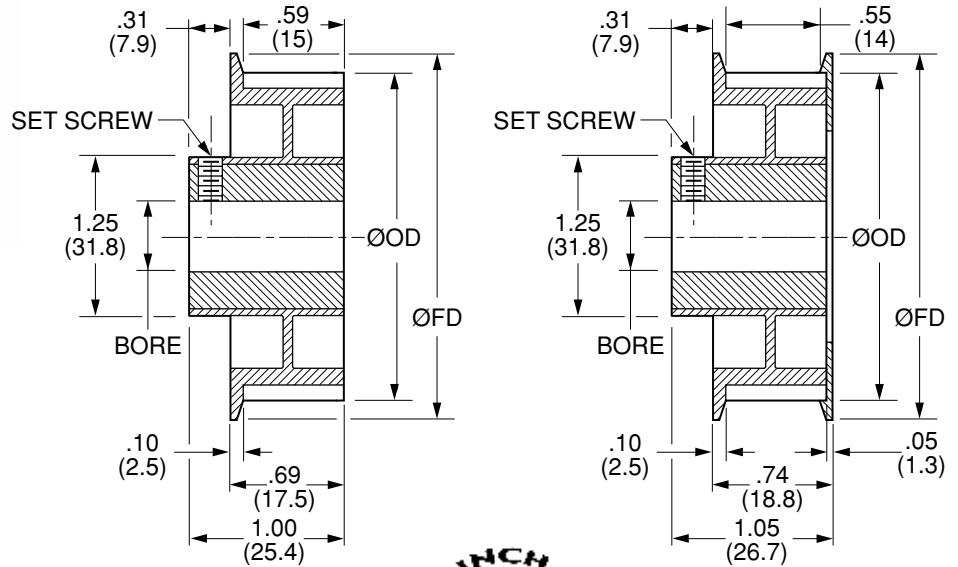
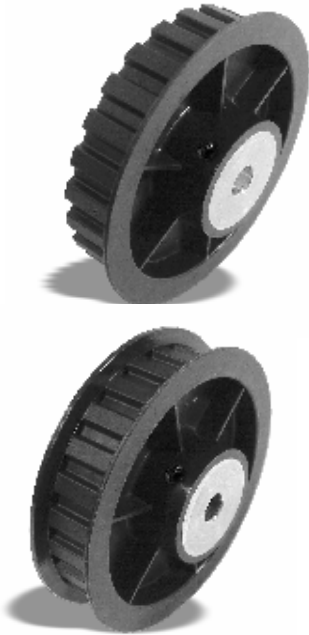


Fig. 1
SINGLE FLANGE

Fig. 2
DOUBLE FLANGE



MATERIAL:
Pulley - Nylon – Black, Fiberglass Reinforced
Insert - Aluminum

These bore sizes available on special request

NOTE: Dimensions in () are in mm.

Catalog Number	No. of Teeth	Fig. No.	Bore	P.D.	ØOD ±.005 (±0.13)	Flange Dia. ØFD	Set Screw
QPELN50032S08	32	1	.2500 (6.35)	3.820 (97.03)	3.790 (96.27)	4.05 (102.9)	#6-32
QPELN50032F08		2	.2500 (6.35)				#6-32
QPELN50032S10		1	.3125 (7.94)				#6-32
QPELN50032S12		1	.3750 (9.53)				#6-32
QPELN50032S16		1	.5000 (12.7)				#10-24
QPELN50032S20		1	.6250 (15.88)				#10-24
QPELN50032S24		1	.7500 (19.05)				1/4-20
QPELN50032F24		2	.7500 (19.05)				1/4-20

Bore Tolerance: +.0015 (+0.038)
+.0005 (+0.012)

L TIMING BELT PULLEYS

