



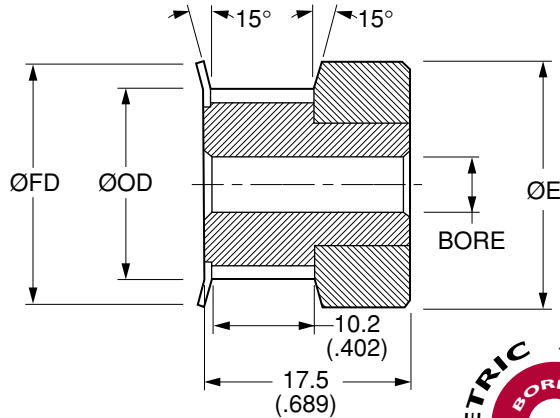
Quality
Transmission
Components

HTD3 Timing Belt Pulleys

**METRIC Pitch 3 mm HTD (.1181")
FOR BELTS UP TO 9 mm OR .354" WIDE**



MATERIAL: 2024-T4 or 2024-T351
Aluminum Alloy
FINISH: Clear Anodize



NOTE: Dimensions in () are in inches.

Catalog Number	No. of Teeth	Bore F8	Pitch Diameter	Outside Diameter ØOD	Hub Diameter ØE	Flange Diameter ØFD
QPMHTD3A09010F03	10	3 (.1181)	9.55 (.376)	8.79 (.346)	13 (.512)	13 (.512)
QPMHTD3A09011F03	11		10.5 (.414)	9.74 (.384)		
QPMHTD3A09012F04	12	4 (.1575)	11.46 (.451)	10.7 (.421)	15 (.591)	15 (.591)
QPMHTD3A09013F04	13		12.41 (.489)	11.65 (.459)		
QPMHTD3A09014F04	14	4 (.1575)	13.37 (.526)	12.61 (.496)	16 (.630)	16 (.630)
QPMHTD3A09015F04	15		14.32 (.564)	13.56 (.534)		

Bore Tolerance (F8): 3 mm $+0.020$ $\left(\begin{matrix} +.0008 \\ +.0006 \\ +.0002 \end{matrix} \right)$
4 mm $+0.028$ $\left(\begin{matrix} +.0011 \\ +.0010 \\ +.0004 \end{matrix} \right)$

Larger number of teeth on the next page

O.D. Tolerance: 10 to 15 teeth $+0.05$ $\left(\begin{matrix} +.002 \\ 0 \\ -.000 \end{matrix} \right)$

HTD3 TIMING BELT PULLEYS

www.econobelt.com



Quality Transmission Components

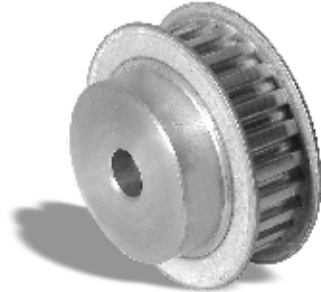
125 Railroad Avenue, Garden City Park, NY 11040-5016
Phone: (516) 437-6700 • Fax: (516) 328-3343
e-mail: support@econobelt.com



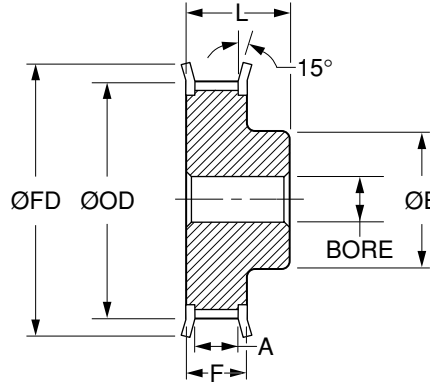
Quality
Transmission
Components

HTD3 Timing Belt Pulleys

**METRIC Pitch 3 mm HTD (.1181")
FOR BELTS UP TO 9 mm OR .354" WIDE**



MATERIAL: 2024-T4 or 2024-T351
Aluminum Alloy
FINISH: Clear Anodize



NOTE: Dimensions in () are in inches.

Catalog Number	No. of Teeth	Bore F8	Pitch Diameter	Outside Diameter ØOD	A	F	Overall Length L	Hub Diameter ØE	Flange Diameter ØFD
QPMHTD3A09016F06	16	6 (.2362)	15.28 (.602)	14.52 (.572)	10.8 (.425)	12.8 (.504)	20.6 (.811)	10 (.394)	18 (.709)
QPMHTD3A09017F06	17		16.23 (.639)	15.47 (.609)	10.8 (.425)	12.8 (.504)	20.6 (.811)	10 (.394)	19.5 (.768)
QPMHTD3A09018F06	18		17.19 (.677)	16.43 (.647)	10.8 (.425)	12.8 (.504)	20.6 (.811)	10 (.394)	19.5 (.768)
QPMHTD3A09019F06	19		18.14 (.714)	17.38 (.684)	10.8 (.425)	12.8 (.504)	20.6 (.811)	12 (.472)	23 (.906)
QPMHTD3A09020F06	20		19.1 (.752)	18.34 (.722)	10.8 (.425)	12.8 (.504)	20.6 (.811)	12 (.472)	23 (.906)
QPMHTD3A09021F06	21		20.05 (.790)	19.29 (.760)	10.8 (.425)	12.8 (.504)	20.6 (.811)	13 (.512)	25 (.984)
QPMHTD3A09022F06	22		21.01 (.827)	20.25 (.797)	10.8 (.425)	12.8 (.504)	20.6 (.811)	13 (.512)	25 (.984)
QPMHTD3A09024F06	24		22.92 (.902)	22.16 (.872)	10.8 (.425)	12.8 (.504)	20.6 (.811)	13 (.512)	25 (.984)
QPMHTD3A09025F06	25		23.87 (.940)	23.11 (.910)	10.8 (.425)	12.8 (.504)	20.6 (.811)	16 (.630)	28 (1.102)
QPMHTD3A09026F06	26		24.83 (.977)	24.07 (.947)	10.8 (.425)	12.8 (.504)	20.6 (.811)	16 (.630)	28 (1.102)
QPMHTD3A09028F06	28		26.74 (1.053)	25.98 (1.023)	10.8 (.425)	12.8 (.504)	20.6 (.811)	18 (.709)	32 (1.260)
QPMHTD3A09030F06	30		28.65 (1.128)	27.89 (1.098)	10.8 (.425)	12.8 (.504)	20.6 (.811)	20 (.787)	32 (1.260)
QPMHTD3A09032F06	32		30.56 (1.203)	29.8 (1.173)	10.8 (.425)	12.8 (.504)	20.6 (.811)	22 (.866)	37 (1.457)
QPMHTD3A09034F06	34		32.47 (1.278)	31.71 (1.248)	11.4 (.449)	13.4 (.528)	22.2 (.874)	23 (.906)	38 (1.496)
QPMHTD3A09036F06	36		34.38 (1.353)	33.62 (1.323)	11.4 (.449)	13.4 (.528)	22.2 (.874)	24 (.945)	38 (1.496)
QPMHTD3A09038F06	38		36.29 (1.429)	35.53 (1.399)	11.4 (.449)	13.4 (.528)	22.2 (.874)	28 (1.102)	43 (1.693)
QPMHTD3A09040F06	40	38.2 (1.504)	37.44 (1.474)	11.4 (.449)	13.4 (.528)	22.2 (.874)	28 (1.102)	43 (1.693)	
QPMHTD3A09044F06	44	42.02 (1.654)	41.25 (1.624)	11.4 (.449)	13.4 (.528)	22.2 (.874)	33 (1.299)	48 (1.890)	

Bore Tolerance (F8): 6 mm +0.028 (+.0011)
+0.010 (+.0004)

Larger number of teeth on the next page

O.D. Tolerance: 16 to 26 teeth +0.05 (+.002)
0 (-.000)
28 to 44 teeth +0.08 (+.003)
0 (-.000)

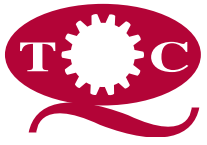
HTD3 TIMING BELT PULLEYS

www.econobelt.com



Quality Transmission Components

125 Railroad Avenue, Garden City Park, NY 11040-5016
Phone: (516) 437-6700 • Fax: (516) 328-3343
e-mail: support@econobelt.com



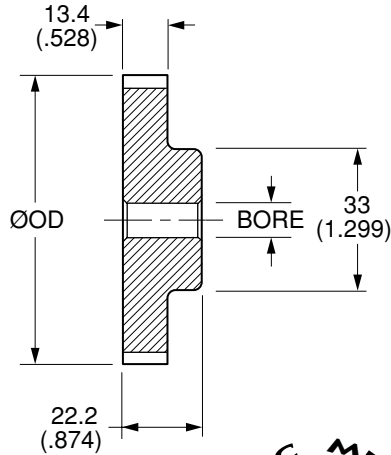
Quality
Transmission
Components

HTD3 Timing Belt Pulleys

METRIC Pitch 3 mm HTD (.1181")
FOR BELTS UP TO 9 mm OR .354" WIDE



MATERIAL: 2024-T4 or 2024-T351
Aluminum Alloy
FINISH: Clear Anodize



NOTE: Dimensions in () are in inches.

Catalog Number	No. of Teeth	Bore F8	Pitch Diameter	Outside Diameter ØOD
QPMHTD3A09048N08	48	8 (.3150)	45.84 (1.805)	45.07 (1.775)
QPMHTD3A09050N08	50		47.75 (1.880)	46.98 (1.850)
QPMHTD3A09056N08	56		53.48 (2.105)	52.71 (2.075)
QPMHTD3A09060N08	60		57.3 (2.256)	56.53 (2.226)
QPMHTD3A09062N08	62		59.21 (2.331)	58.44 (2.301)
QPMHTD3A09072N08	72		68.75 (2.707)	67.99 (2.677)

Bore Tolerance (F8): 8 mm $+0.035$ $(+0.0014)$
 $+0.013$ $(+0.0005)$

O.D. Tolerance: 48 & 50 teeth $+0.08$ $(+0.003)$
 0 (-0.000)
56 to 72 teeth $+0.10$ $(+0.004)$
 0 (-0.000)

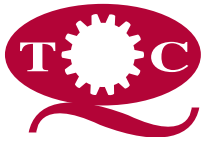
HTD3 TIMING BELT PULLEYS

www.econobelt.com



Quality Transmission Components

125 Railroad Avenue, Garden City Park, NY 11040-5016
Phone: (516) 437-6700 • Fax: (516) 328-3343
e-mail: support@econobelt.com



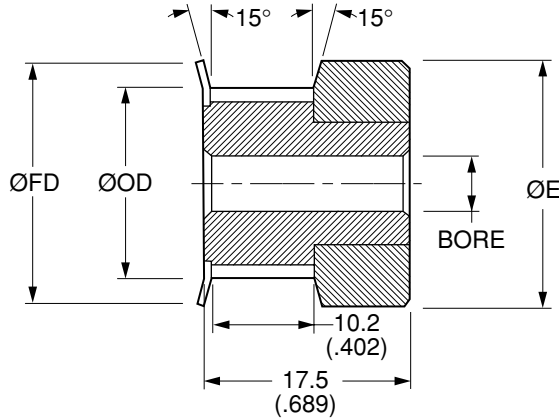
Quality
Transmission
Components

HTD3 Timing Belt Pulleys

METRIC Pitch 3 mm HTD (.1181")
FOR BELTS UP TO 9 mm OR .354" WIDE



MATERIAL: AISI 1045 Steel
FINISH: Black Oxide



NOTE: Dimensions in () are in inches.

Catalog Number	No. of Teeth	Bore F8	Pitch Diameter	Outside Diameter ØOD	Hub Diameter ØE	Flange Diameter ØFD
QPMHTD3S09010F03	10	3 (.1181)	9.55 (.376)	8.79 (.346)	13 (.512)	13 (.512)
QPMHTD3S09011F03	11		10.5 (.414)	9.74 (.384)		
QPMHTD3S09012F04	12	4 (.1575)	11.46 (.451)	10.7 (.421)	15 (.591)	15 (.591)
QPMHTD3S09013F04	13		12.41 (.489)	11.65 (.459)		
QPMHTD3S09014F04	14	4 (.1575)	13.37 (.526)	12.61 (.496)	16 (.630)	16 (.630)
QPMHTD3S09015F04	15		14.32 (.564)	13.56 (.534)		

Bore Tolerance (F8): 3 mm $+0.020$ $\left(\begin{matrix} +.0008 \\ +.0006 \end{matrix} \right)$
4 mm $+0.028$ $\left(\begin{matrix} +.0011 \\ +.0010 \end{matrix} \right)$

Larger number of teeth on the next page

O.D. Tolerance: 10 to 15 teeth $+0.05$ $\left(\begin{matrix} +.002 \\ 0 \end{matrix} \right)$

HTD3 TIMING BELT PULLEYS

www.econobelt.com



Quality Transmission Components

125 Railroad Avenue, Garden City Park, NY 11040-5016
Phone: (516) 437-6700 • Fax: (516) 328-3343
e-mail: support@econobelt.com



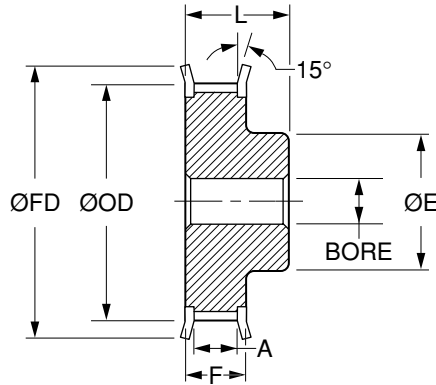
Quality
Transmission
Components

HTD3 Timing Belt Pulleys

METRIC Pitch 3 mm HTD (.1181")
FOR BELTS UP TO 9 mm OR .354" WIDE



MATERIAL: AISI 1045 Steel
FINISH: Black Oxide



NOTE: Dimensions in () are in inches.

Catalog Number	No. of Teeth	Bore F8	Pitch Diameter	Outside Diameter ØOD	A	F	Overall Length L	Hub Diameter ØE	Flange Diameter ØFD
QPMHTD3S09016F06	16	6 (.2362)	15.28 (.602)	14.52 (.572)	10.8 (.425)	12.8 (.504)	20.6 (.811)	10 (.394)	18 (.709)
QPMHTD3S09017F06	17		16.23 (.639)	15.47 (.609)	10.8 (.425)	12.8 (.504)	20.6 (.811)	10 (.394)	19.5 (.768)
QPMHTD3S09018F06	18		17.19 (.677)	16.43 (.647)	10.8 (.425)	12.8 (.504)	20.6 (.811)	10 (.394)	19.5 (.768)
QPMHTD3S09019F06	19		18.14 (.714)	17.38 (.684)	10.8 (.425)	12.8 (.504)	20.6 (.811)	12 (.472)	23 (.906)
QPMHTD3S09020F06	20		19.1 (.752)	18.34 (.722)	10.8 (.425)	12.8 (.504)	20.6 (.811)	12 (.472)	23 (.906)
QPMHTD3S09021F06	21		20.05 (.790)	19.29 (.760)	10.8 (.425)	12.8 (.504)	20.6 (.811)	13 (.512)	25 (.984)
QPMHTD3S09022F06	22		21.01 (.827)	20.25 (.797)	10.8 (.425)	12.8 (.504)	20.6 (.811)	13 (.512)	25 (.984)
QPMHTD3S09024F06	24		22.92 (.902)	22.16 (.872)	10.8 (.425)	12.8 (.504)	20.6 (.811)	13 (.512)	25 (.984)
QPMHTD3S09025F06	25		23.87 (.940)	23.11 (.910)	10.8 (.425)	12.8 (.504)	20.6 (.811)	16 (.630)	28 (1.102)
QPMHTD3S09026F06	26		24.83 (.977)	24.07 (.947)	10.8 (.425)	12.8 (.504)	20.6 (.811)	16 (.630)	28 (1.102)
QPMHTD3S09028F06	28		26.74 (1.053)	25.98 (1.023)	10.8 (.425)	12.8 (.504)	20.6 (.811)	18 (.709)	32 (1.260)
QPMHTD3S09030F06	30		28.65 (1.128)	27.89 (1.098)	10.8 (.425)	12.8 (.504)	20.6 (.811)	20 (.787)	32 (1.260)
QPMHTD3S09032F06	32		30.56 (1.203)	29.8 (1.173)	10.8 (.425)	12.8 (.504)	20.6 (.811)	22 (.866)	37 (1.457)
QPMHTD3S09034F06	34		32.47 (1.278)	31.71 (1.248)	11.4 (.449)	13.4 (.528)	22.2 (.874)	23 (.906)	38 (1.496)
QPMHTD3S09036F06	36		34.38 (1.353)	33.62 (1.323)	11.4 (.449)	13.4 (.528)	22.2 (.874)	24 (.945)	38 (1.496)
QPMHTD3S09038F06	38		36.29 (1.429)	35.53 (1.399)	11.4 (.449)	13.4 (.528)	22.2 (.874)	28 (1.102)	43 (1.693)
QPMHTD3S09040F06	40	38.2 (1.504)	37.44 (1.474)	11.4 (.449)	13.4 (.528)	22.2 (.874)	28 (1.102)	43 (1.693)	
QPMHTD3S09044F06	44	42.02 (1.654)	41.25 (1.624)	11.4 (.449)	13.4 (.528)	22.2 (.874)	33 (1.299)	48 (1.890)	

Bore Tolerance (F8): 6 mm +0.028 (+.0011)
+0.010 (+.0004)

Larger number of teeth on the next page

O.D. Tolerance: 16 to 26 teeth +0.05 (+.002)
0 (-.000)
28 to 44 teeth +0.08 (+.003)
0 (-.000)

HTD3 TIMING BELT PULLEYS

www.econobelt.com



Quality Transmission Components

125 Railroad Avenue, Garden City Park, NY 11040-5016
Phone: (516) 437-6700 • Fax: (516) 328-3343
e-mail: support@econobelt.com



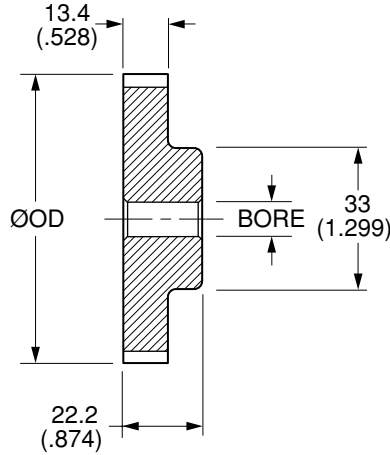
Quality
Transmission
Components

HTD3 Timing Belt Pulleys

METRIC Pitch 3 mm HTD (.1181")
FOR BELTS UP TO 9 mm OR .354" WIDE



MATERIAL: AISI 1045 Steel
FINISH: Black Oxide



NOTE: Dimensions in () are in inches.

Catalog Number	No. of Teeth	Bore F8	Pitch Diameter	Outside Diameter ØOD
QPMHTD3S09048N08	48	8 (.3150)	45.84 (1.805)	45.07 (1.775)
QPMHTD3S09050N08	50		47.75 (1.880)	46.98 (1.850)
QPMHTD3S09056N08	56		53.48 (2.105)	52.71 (2.075)
QPMHTD3S09060N08	60		57.3 (2.256)	56.53 (2.226)
QPMHTD3S09062N08	62		59.21 (2.331)	58.44 (2.301)
QPMHTD3S09072N08	72		68.75 (2.707)	67.99 (2.677)

Bore Tolerance (F8): 8 mm $+0.035 \begin{pmatrix} +.0014 \\ +0.013 \end{pmatrix} \begin{pmatrix} +.0005 \end{pmatrix}$

O.D. Tolerance: 48 & 50 teeth $+0.08 \begin{pmatrix} +.003 \\ 0 \end{pmatrix} \begin{pmatrix} -.000 \end{pmatrix}$
56 to 72 teeth $+0.10 \begin{pmatrix} +.004 \\ 0 \end{pmatrix} \begin{pmatrix} -.000 \end{pmatrix}$

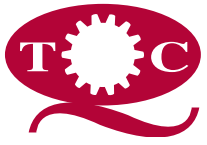
HTD3 TIMING BELT PULLEYS

www.econobelt.com



Quality Transmission Components

125 Railroad Avenue, Garden City Park, NY 11040-5016
Phone: (516) 437-6700 • Fax: (516) 328-3343
e-mail: support@econobelt.com



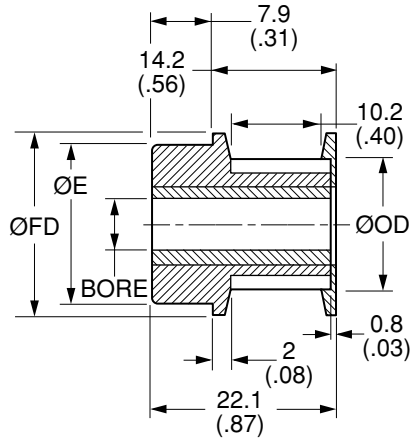
Quality
Transmission
Components

HTD3 Timing Belt Pulleys

**METRIC Pitch 3 mm HTD (.1181")
FOR BELTS UP TO 9 mm OR .354" WIDE**



MATERIAL:
Pulley - Nylon – Black, Fiberglass Reinforced
Insert - Aluminum



NOTE: Dimensions in () are in inches.

Catalog Number	No. of Teeth	Bore	P.D.	ØOD ±0.13 (±.005)	Hub Diameter ØE	Flange Diameter ØFD
QPMHTD3N09014F06	14	6 (.236)	13.36 (.526)	12.61 (.496)	15 (.59)	16 (.63)
QPMHTD3N09015F06	15	6 (.236)	14.33 (.564)	13.56 (.534)	15 (.59)	17.3 (.68)
QPMHTD3N09016F06	16	6 (.236)	15.29 (.602)	14.53 (.572)	15 (.59)	18 (.71)
QPMHTD3N09018F06	18	6 (.236)	17.2 (.677)	16.43 (.647)	19.1 (.75)	20.1 (.79)
QPMHTD3N09020F06	20	6 (.236) 8 (.315)	19.1 (.752)	18.34 (.722)	19.1 (.75)	22.6 (.89)
QPMHTD3N09022F06	22	6 (.236) 8 (.315)	21.01 (.827)	20.24 (.797)	19.1 (.75)	23.9 (.94)
QPMHTD3N09024F06	24	6 (.236) 8 (.315)	22.91 (.902)	22.15 (.872)	22.4 (.88)	25.9 (1.02)

Bore Tolerance: 6 & 8 mm $+0.03 \begin{matrix} (+.0010) \\ 0 \end{matrix} \begin{matrix} (-.0000) \end{matrix}$

Larger number of teeth on the next page

HTD3 TIMING BELT PULLEYS

Other bore sizes available on special request.
See page 1-115

www.econobelt.com



Quality Transmission Components

125 Railroad Avenue, Garden City Park, NY 11040-5016
Phone: (516) 437-6700 • Fax: (516) 328-3343
e-mail: support@econobelt.com



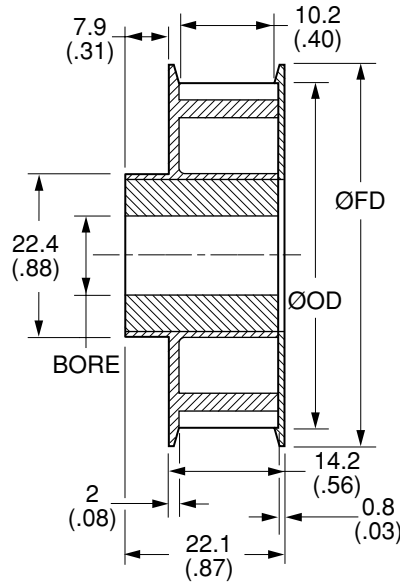
Quality
Transmission
Components

HTD3 Timing Belt Pulleys

METRIC Pitch 3 mm HTD (.1181")
FOR BELTS UP TO 9 mm OR .354" WIDE



MATERIAL:
Pulley - Nylon – Black, Fiberglass Reinforced
Insert - Aluminum



NOTE: Dimensions in () are in inches.

Catalog Number	No. of Teeth	Bore	P.D.	ØOD ±0.13 (±.005)	Flange Diameter ØFD
QPMHTD3N09028F06	28	6 (.236)	26.75 (1.053)	25.98 (1.023)	29.7 (1.17)
QPMHTD3N09028F08		8 (.315)			
QPMHTD3N09030F06	30	6 (.236)	28.65 (1.128)	27.89 (1.098)	31.5 (1.24)
QPMHTD3N09030F08		8 (.315)			
QPMHTD3N09032F06	32	6 (.236)	30.56 (1.203)	29.79 (1.173)	33.5 (1.32)
QPMHTD3N09032F08		8 (.315)			
QPMHTD3N09032F10		10 (.394)			
QPMHTD3N09036F06	36	6 (.236)	34.37 (1.353)	33.6 (1.323)	37.3 (1.47)
QPMHTD3N09036F08		8 (.315)			
QPMHTD3N09036F10		10 (.394)			
QPMHTD3N09040F06	40	6 (.236)	38.2 (1.504)	37.44 (1.474)	40.9 (1.61)
QPMHTD3N09040F08		8 (.315)			
QPMHTD3N09040F10		10 (.394)			
QPMHTD3N09042F06	42	6 (.236)	40.11 (1.579)	39.35 (1.549)	43.2 (1.70)
QPMHTD3N09042F08		8 (.315)			
QPMHTD3N09042F10		10 (.394)			

Bore Tolerance: 6 & 8 mm +0.03 (+.0010)
0 (-.0000)
10 mm +0.04 (+.0013)
-0.01 (-.0003)

Larger number of teeth on the next page

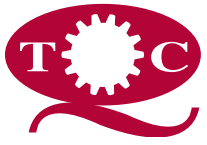
HTD3 TIMING BELT PULLEYS

www.econobelt.com



Quality Transmission Components

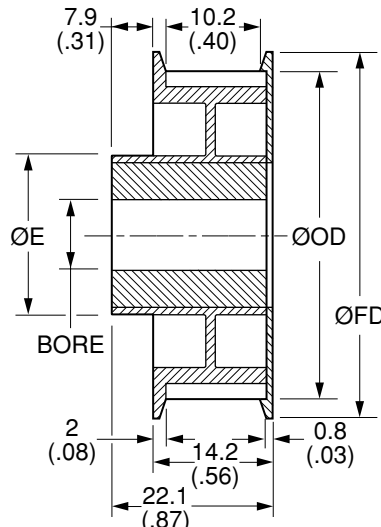
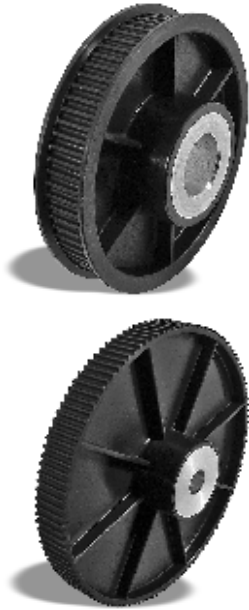
125 Railroad Avenue, Garden City Park, NY 11040-5016
Phone: (516) 437-6700 • Fax: (516) 328-3343
e-mail: support@econobelt.com



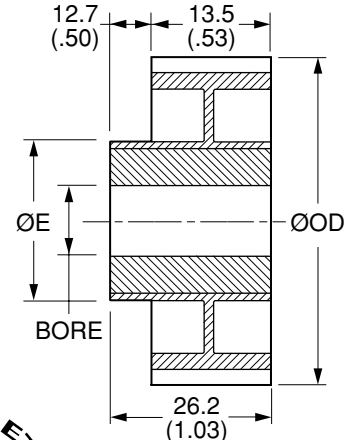
Quality
Transmission
Components

HTD3 Timing Belt Pulleys

**METRIC Pitch 3 mm HTD (.1181")
FOR BELTS UP TO 9 mm OR .354" WIDE**



**Fig. 1
DOUBLE FLANGE**



**Fig. 2
NO FLANGE**



MATERIAL:

Pulley - Nylon – Black, Fiberglass Reinforced
Insert - Aluminum

NOTE: Dimensions in () are in inches.

Catalog Number	No. of Teeth	Fig. No.	Bore	P.D.	ØOD ±0.13 (±.005)	Hub Diameter ØE	Flange Diameter ØFD
QPMHTD3N09048F06	48	1	6 (.236)	45.85	45.09	22.4	48.8
QPMHTD3N09048F08			8 (.315)	(1.805)	(1.775)	(.88)	(1.92)
QPMHTD3N09048F10			10 (.394)				
QPMHTD3N09050F08	50	1	8 (.315)	47.75	46.99	22.4	50.8
QPMHTD3N09050F10			10 (.394)	(1.880)	(1.850)	(.88)	(2.00)
QPMHTD3N09050F12			12 (.472)				
QPMHTD3N09060F08	60	1	8 (.315)	57.3	56.54	22.4	60.5
QPMHTD3N09060F10			10 (.394)	(2.256)	(2.226)	(.88)	(2.38)
QPMHTD3N09060F12			12 (.472)				
QPMHTD3N09072F08	72	1	8 (.315)	68.76	68	31.8	71.9
QPMHTD3N09072F10			10 (.394)	(2.707)	(2.677)	(1.25)	(2.83)
QPMHTD3N09072F12			12 (.472)				
QPMHTD3N09120N10	120	2	10 (.394)	114.58	113.82	31.8	—
QPMHTD3N09120N12			12 (.472)	(4.511)	(4.481)	(1.25)	

Bore Tolerance: 6 & 8 mm +0.03 (+.0010)
0 (-.0000)
10 mm +0.04 (+.0013)
-0.01 (-.0003)
12 mm +0.05 (+.0017)
+0.01 (+.0006)

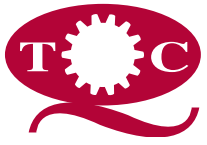
HTD3 TIMING BELT PULLEYS

www.econobelt.com



Quality Transmission Components

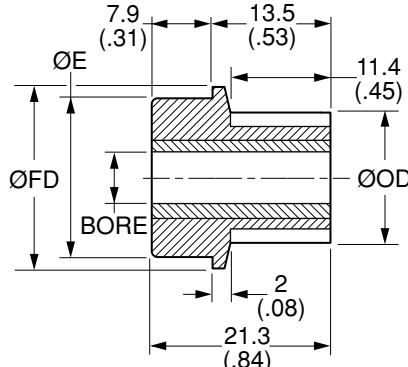
125 Railroad Avenue, Garden City Park, NY 11040-5016
Phone: (516) 437-6700 • Fax: (516) 328-3343
e-mail: support@econobelt.com



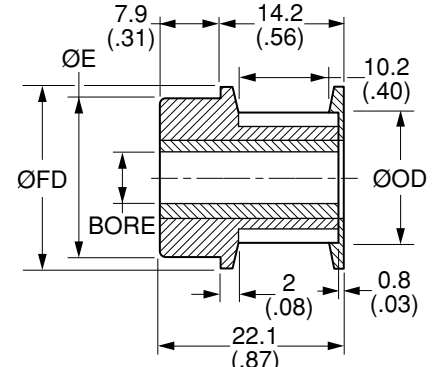
Quality
Transmission
Components

HTD3 Timing Belt Pulleys

**METRIC Pitch 3 mm HTD (.1181")
FOR BELTS UP TO 9 mm OR .354" WIDE**



**Fig. 1
SINGLE FLANGE**



**Fig. 2
DOUBLE FLANGE**

MATERIAL:

Pulley - Nylon – Black, Fiberglass Reinforced
Insert - Aluminum



These bore sizes available on special request

NOTE: Dimensions in () are in inches.

Catalog Number	No. of Teeth	Fig. No.	Bore	P.D.	ØOD ±0.13 (±.005)	Hub Dia. ØE	Flange Dia. ØFD
QPMHTD3N09014S04	14	1	4 (.157)	13.36	12.61	15	16
QPMHTD3N09014F04		2	4 (.157)	(.526)	(.496)	(.59)	(.63)
QPMHTD3N09014S06		1	6 (.236)				
QPMHTD3N09015S04	15	1	4 (.157)	14.33	13.56	15	17.3
QPMHTD3N09015F04		2	4 (.157)	(.564)	(.534)	(.59)	(.68)
QPMHTD3N09015S06		1	6 (.236)				
QPMHTD3N09016S04	16	1	4 (.157)	15.29	14.53	15	18
QPMHTD3N09016F04		2	4 (.157)	(.602)	(.572)	(.59)	(.71)
QPMHTD3N09016S06		1	6 (.236)				
QPMHTD3N09018S04	18	1	4 (.157)	17.2	16.43	19.1	20.1
QPMHTD3N09018F04		2	4 (.157)	(.677)	(.647)	(.75)	(.79)
QPMHTD3N09018S06		1	6 (.236)				
QPMHTD3N09020S06	20	1	6 (.236)	19.1	18.34	19.1	22.6
QPMHTD3N09020S08			8 (.315)	(.752)	(.722)	(.75)	(.89)
QPMHTD3N09022S06	22	1	6 (.236)	21.01	20.24	19.1	23.9
QPMHTD3N09022S08			8 (.315)	(.827)	(.797)	(.75)	(.94)
QPMHTD3N09024S06	24	1	6 (.236)	22.91	22.15	22.4	25.9
QPMHTD3N09024S08			8 (.315)	(.902)	(.872)	(.88)	(1.02)

Bore Tolerance: 4, 6 & 8 mm +0.03 / 0 (+.0010 / -.0000)

Larger number of teeth on the next page

HTD3 TIMING BELT PULLEYS

www.econobelt.com



Quality Transmission Components

125 Railroad Avenue, Garden City Park, NY 11040-5016
Phone: (516) 437-6700 • Fax: (516) 328-3343
e-mail: support@econobelt.com



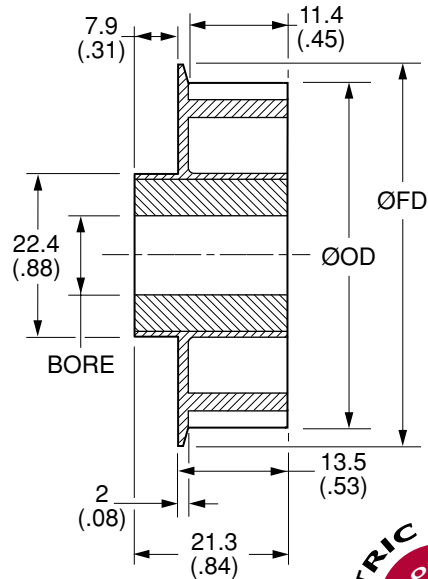
Quality
Transmission
Components

HTD3 Timing Belt Pulleys

METRIC Pitch 3 mm HTD (.1181")
FOR BELTS UP TO 9 mm OR .354" WIDE



MATERIAL:
Pulley - Nylon – Black, Fiberglass Reinforced
Insert - Aluminum



These bore sizes available on special request

NOTE: Dimensions in () are in inches.

Catalog Number	No. of Teeth	Bore	P.D.	ØOD ±0.13 (±.005)	Flange Dia. ØFD
QPMHTD3N09028S06	28	6 (.236)	26.75 (1.053)	25.98 (1.023)	29.7 (1.17)
QPMHTD3N09028S08		8 (.315)			
QPMHTD3N09030S06	30	6 (.236)	28.65 (1.128)	27.89 (1.098)	31.5 (1.24)
QPMHTD3N09030S08		8 (.315)			
QPMHTD3N09032S06	32	6 (.236)	30.56 (1.203)	29.79 (1.173)	33.5 (1.32)
QPMHTD3N09032S08		8 (.315)			
QPMHTD3N09032S10		10 (.394)			
QPMHTD3N09036S06	36	6 (.236)	34.37 (1.353)	33.6 (1.323)	37.3 (1.47)
QPMHTD3N09036S08		8 (.315)			
QPMHTD3N09036S10		10 (.394)			
QPMHTD3N09040S06	40	6 (.236)	38.2 (1.504)	37.44 (1.474)	40.9 (1.61)
QPMHTD3N09040S08		8 (.315)			
QPMHTD3N09040S10		10 (.394)			
QPMHTD3N09042S06	42	6 (.236)	40.11 (1.579)	39.35 (1.549)	43.2 (1.70)
QPMHTD3N09042S08		8 (.315)			
QPMHTD3N09042S10		10 (.394)			

Bore Tolerance: 6 & 8 mm +0.03 (+.0010)
0 (-.0000)
10 mm +0.04 (+.0013)
-0.01 (-.0003)

Larger number of teeth on the next page

HTD3 TIMING BELT PULLEYS

www.econobelt.com



Quality Transmission Components

125 Railroad Avenue, Garden City Park, NY 11040-5016
Phone: (516) 437-6700 • Fax: (516) 328-3343
e-mail: support@econobelt.com



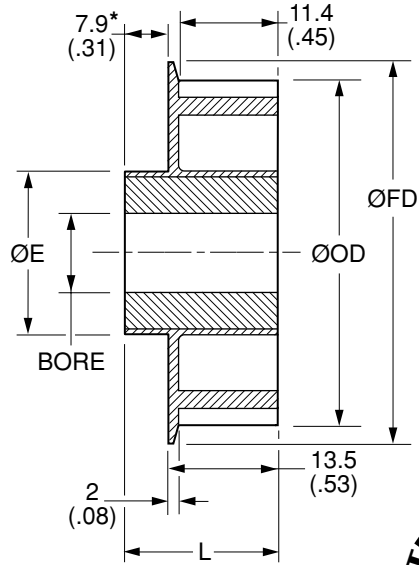
Quality
Transmission
Components

HTD3 Timing Belt Pulleys

METRIC Pitch 3 mm HTD (.1181")
FOR BELTS UP TO 9 mm OR .354" WIDE



MATERIAL:
Pulley - Nylon – Black, Fiberglass Reinforced
Insert - Aluminum



*For 120 tooth pulley,
hub length is 12.7 (.50)



These bore sizes available on special request

NOTE: Dimensions in () are in inches.

Catalog Number	No. of Teeth	Bore	P.D.	ØOD ±0.13 (±.005)	Overall Length L	Hub Dia. ØE	Flange Dia. ØFD
QPMHTD3N09048S06	48	6 (.236)	45.85	45.09	21.3	22.4	48.8
QPMHTD3N09048S08		8 (.315)	(1.805)	(1.775)	(.84)	(.88)	(1.92)
QPMHTD3N09048S10		10 (.394)					
QPMHTD3N09050S08	50	8 (.315)	47.75	46.99	21.3	22.4	50.8
QPMHTD3N09050S10		10 (.394)	(1.880)	(1.850)	(.84)	(.88)	(2.00)
QPMHTD3N09050S12		12 (.472)					
QPMHTD3N09060S08	60	8 (.315)	57.3	56.54	21.3	22.4	60.5
QPMHTD3N09060S10		10 (.394)	(2.256)	(2.226)	(.84)	(.88)	(2.38)
QPMHTD3N09060S12		12 (.472)					
QPMHTD3N09072S08	72	8 (.315)	68.76	68	21.3	31.8	71.9
QPMHTD3N09072S10		10 (.394)	(2.707)	(2.677)	(.84)	(1.25)	(2.83)
QPMHTD3N09072S12		12 (.472)					
QPMHTD3N09120S10	120	10 (.394)	114.58	113.82	26.2	31.8	117.6
QPMHTD3N09120S12		12 (.472)	(4.511)	(4.481)	(1.03)	(1.25)	(4.63)

Bore Tolerance: 6 & 8 mm +0.03 (+.0010)
0 (-.0000)
10 mm +0.04 (+.0013)
-0.01 (-.0003)
12 mm +0.05 (+.0017)
+0.01 (+.0006)

www.econobelt.com



Quality Transmission Components

125 Railroad Avenue, Garden City Park, NY 11040-5016
Phone: (516) 437-6700 • Fax: (516) 328-3343
e-mail: support@econobelt.com