

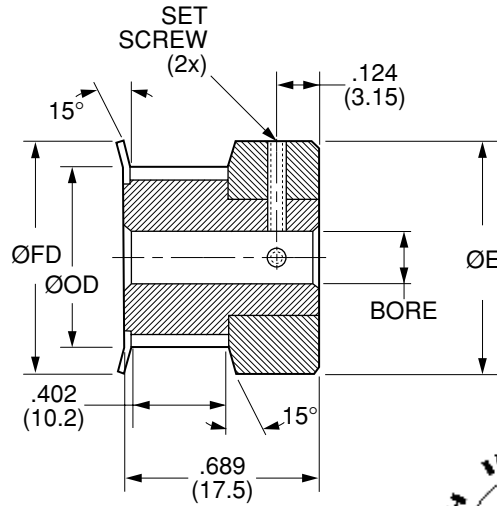
Quality  
Transmission  
Components

# HTD3 Timing Belt Pulleys

**METRIC Pitch 3 mm HTD (.1181")**  
**FOR BELTS UP TO 9 mm OR .354" WIDE**



**MATERIAL:** 2024-T4 or 2024-T351  
Aluminum Alloy  
**FINISH:** Clear Anodize



**NOTE:** Dimensions in ( ) are in mm.

Catalog Number	No. of Teeth	Bore	Pitch Diameter	Outside Diameter ØOD	Hub Diameter ØE	Flange Diameter ØFD	Set Screw
QPEHTD3A09010F04	10	.1250 (3.18)	.376 (9.55)	.346 (8.79)	.512 (13)	.512 (13)	#4-40
QPEHTD3A09011F06	11	.1875 (4.76)	.414 (10.5)	.384 (9.74)	.512 (13)	.512 (13)	#6-40
QPEHTD3A09012F04	12	.1250 (3.18)	.451 (11.46)	.421 (10.7)	.591 (15)	.591 (15)	#4-40
QPEHTD3A09012F06	12	.1875 (4.76)	.451 (11.46)	.421 (10.7)	.591 (15)	.591 (15)	#6-40
QPEHTD3A09013F04	13	.1250 (3.18)	.489 (12.41)	.459 (11.65)	.630 (16)	.630 (16)	#4-40
QPEHTD3A09013F06	13	.1875 (4.76)	.489 (12.41)	.459 (11.65)	.630 (16)	.630 (16)	#6-40
QPEHTD3A09014F04	14	.1250 (3.18)	.526 (13.37)	.496 (12.61)	.630 (16)	.630 (16)	#4-40
QPEHTD3A09014F06	14	.1875 (4.76)	.526 (13.37)	.496 (12.61)	.630 (16)	.630 (16)	#6-40
QPEHTD3A09015F04	15	.1250 (3.18)	.564 (14.32)	.534 (13.56)	.689 (17.5)	.689 (17.5)	#4-40
QPEHTD3A09015F06	15	.1875 (4.76)	.564 (14.32)	.534 (13.56)	.689 (17.5)	.689 (17.5)	#6-40

**Bore Tolerance:**  $+.0015 \begin{pmatrix} +0.038 \\ +.0005 \end{pmatrix} \begin{pmatrix} +0.012 \\ +0.012 \end{pmatrix}$

Larger number of teeth on the next page

**O.D. Tolerance:** 10 to 15 teeth  $+.002 \begin{pmatrix} +0.05 \\ -.000 \end{pmatrix} \begin{pmatrix} +0.05 \\ 0 \end{pmatrix}$

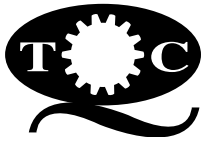
HTD3 TIMING BELT PULLEYS

[www.econobelt.com](http://www.econobelt.com)



Quality Transmission Components

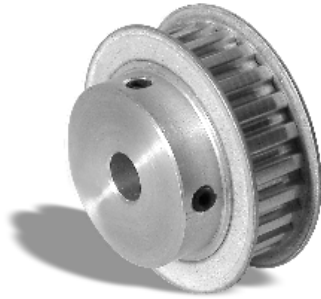
125 Railroad Avenue, Garden City Park, NY 11040-5016  
Phone: (516) 437-6700 • Fax: (516) 328-3343  
e-mail: support@econobelt.com



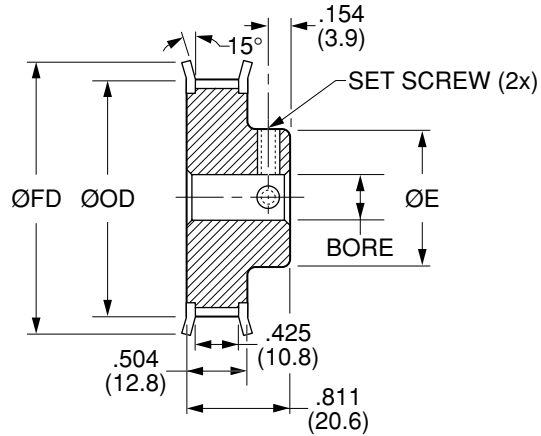
Quality  
Transmission  
Components

# HTD3 Timing Belt Pulleys

**METRIC Pitch 3 mm HTD (.1181")**  
**FOR BELTS UP TO 9 mm OR .354" WIDE**



**MATERIAL:** 2024-T4 or 2024-T351  
Aluminum Alloy  
**FINISH:** Clear Anodize



**NOTE:** Dimensions in ( ) are in mm.

Catalog Number	No. of Teeth	Bore	Pitch Diameter	Outside Diameter ØOD	Hub Diameter ØE	Flange Diameter ØFD	Set Screw
QPEHTD3A09016F04	16	.1250 (3.18)	.602 (15.28)	.572 (14.52)	.394 (10)	.709 (18)	#4-40
QPEHTD3A09016F06		.1875 (4.76)					#6-40
QPEHTD3A09017F06	17	.1875 (4.76)	.639 (16.23)	.609 (15.47)	.433 (11)	.768 (19.5)	#6-40
QPEHTD3A09017F08		.2500 (6.35)					#6-32
QPEHTD3A09018F06	18	.1875 (4.76)	.677 (17.19)	.647 (16.43)	.433 (11)	.768 (19.5)	#6-40
QPEHTD3A09018F08		.2500 (6.35)					#6-32
QPEHTD3A09019F06	19	.1875 (4.76)	.714 (18.14)	.684 (17.38)	.472 (12)	.906 (23)	#6-40
QPEHTD3A09019F08		.2500 (6.35)					#6-32
QPEHTD3A09020F06	20	.1875 (4.76)	.752 (19.1)	.722 (18.34)	.512 (13)	.906 (23)	#6-40
QPEHTD3A09020F08		.2500 (6.35)					#6-32
QPEHTD3A09021F06	21	.1875 (4.76)	.790 (20.05)	.760 (19.29)	.551 (14)	.984 (25)	#6-40
QPEHTD3A09021F08		.2500 (6.35)					#8-32
QPEHTD3A09022F06	22	.1875 (4.76)	.827 (21.01)	.797 (20.25)	.551 (14)	.984 (25)	#6-40
QPEHTD3A09022F08		.2500 (6.35)					#8-32
QPEHTD3A09024F06	24	.1875 (4.76)	.902 (22.92)	.872 (22.16)	.551 (14)	.984 (25)	#6-40
QPEHTD3A09024F08		.2500 (6.35)					#8-32

**Bore Tolerance:**  $\begin{matrix} +.0015 & (+0.038) \\ +.0005 & (+0.012) \end{matrix}$

Larger number of teeth on the next page

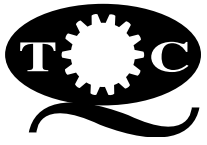
**O.D. Tolerance:** 16 to 24 teeth  $\begin{matrix} +.002 & (+0.05) \\ -.000 & (0) \end{matrix}$

www.econobelt.com



Quality Transmission Components

125 Railroad Avenue, Garden City Park, NY 11040-5016  
Phone: (516) 437-6700 • Fax: (516) 328-3343  
e-mail: support@econobelt.com



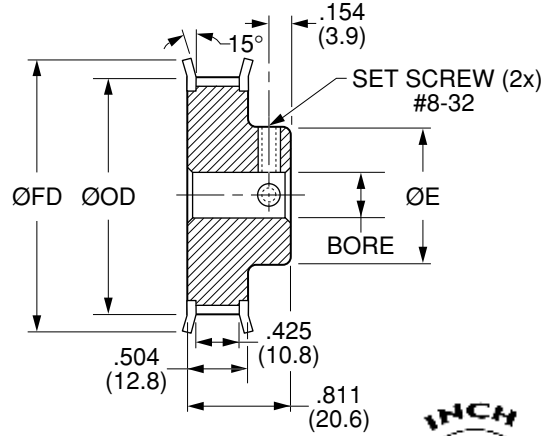
Quality  
Transmission  
Components

# HTD3 Timing Belt Pulleys

**METRIC Pitch 3 mm HTD (.1181")**  
**FOR BELTS UP TO 9 mm OR .354" WIDE**



**MATERIAL:** 2024-T4 or 2024-T351  
Aluminum Alloy  
**FINISH:** Clear Anodize



**NOTE:** Dimensions in ( ) are in mm.

Catalog Number	No. of Teeth	Bore	Pitch Diameter	Outside Diameter ØOD	Hub Diameter ØE	Flange Diameter ØFD
QPEHTD3A09025F08	25	.2500 (6.35)	.940 (23.87)	.910 (23.11)	.630 (16)	1.102 (28)
QPEHTD3A09025F10		.3125 (7.94)				
QPEHTD3A09026F08	26	.2500 (6.35)	.977 (24.83)	.947 (24.07)	.630 (16)	1.102 (28)
QPEHTD3A09026F10		.3125 (7.94)				
QPEHTD3A09028F08	28	.2500 (6.35)	1.053 (26.74)	1.023 (25.98)	.709 (18)	1.260 (32)
QPEHTD3A09028F10		.3125 (7.94)				
QPEHTD3A09030F08	30	.2500 (6.35)	1.128 (28.65)	1.098 (27.89)	.787 (20)	1.260 (32)
QPEHTD3A09030F10		.3125 (7.94)				
QPEHTD3A09032F08	32	.2500 (6.35)	1.203 (30.56)	1.173 (29.8)	.866 (22)	1.457 (37)
QPEHTD3A09032F10		.3125 (7.94)				

**Bore Tolerance:** +.0015 (+0.038)  
+.0005 (+0.012)

Larger number of teeth on the next page

**O.D. Tolerance:** 25 & 26 teeth +.002 (+0.05)  
-.000 (0)  
28 to 32 teeth +.003 (+0.08)  
-.000 (0)

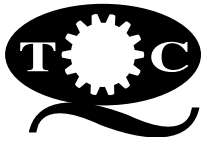
HTD3 TIMING BELT PULLEYS

www.econobelt.com



Quality Transmission Components

125 Railroad Avenue, Garden City Park, NY 11040-5016  
Phone: (516) 437-6700 • Fax: (516) 328-3343  
e-mail: support@econobelt.com



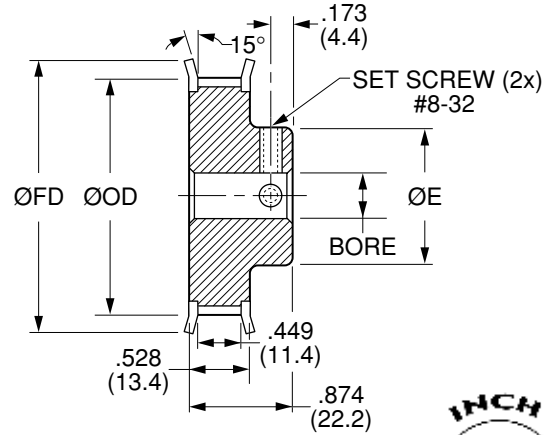
Quality  
Transmission  
Components

# HTD3 Timing Belt Pulleys

**METRIC Pitch 3 mm HTD (.1181")**  
**FOR BELTS UP TO 9 mm OR .354" WIDE**



**MATERIAL:** 2024-T4 or 2024-T351  
Aluminum Alloy  
**FINISH:** Clear Anodize



**NOTE:** Dimensions in ( ) are in mm.

Catalog Number	No. of Teeth	Bore	Pitch Diameter	Outside Diameter ØOD	Hub Diameter ØE	Flange Diameter ØFD
QPEHTD3A09034F08	34	.2500 (6.35)	1.278 (32.47)	1.248 (31.71)	.906 (23)	1.496 (38)
QPEHTD3A09034F10		.3125 (7.94)				
QPEHTD3A09036F08	36	.2500 (6.35)	1.353 (34.38)	1.323 (33.62)	.945 (24)	1.496 (38)
QPEHTD3A09036F10		.3125 (7.94)				
QPEHTD3A09038F10	38	.3125 (7.94)	1.429 (36.29)	1.399 (35.53)	1.102 (28)	1.693 (43)
QPEHTD3A09038F12		.3750 (9.53)				
QPEHTD3A09040F10	40	.3125 (7.94)	1.504 (38.2)	1.474 (37.44)	1.102 (28)	1.693 (43)
QPEHTD3A09040F12		.3750 (9.53)				
QPEHTD3A09044F10	44	.3125 (7.94)	1.654 (42.02)	1.624 (41.25)	1.299 (33)	1.890 (48)
QPEHTD3A09044F12		.3750 (9.53)				

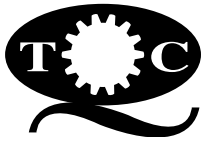
**Bore Tolerance:** +.0015 (+0.038)  
+.0005 (+0.012)

Larger number of teeth on the next page

**O.D. Tolerance:** 34 to 44 teeth +.003 (+0.08)  
-.000 (0)

HTD3 TIMING BELT PULLEYS





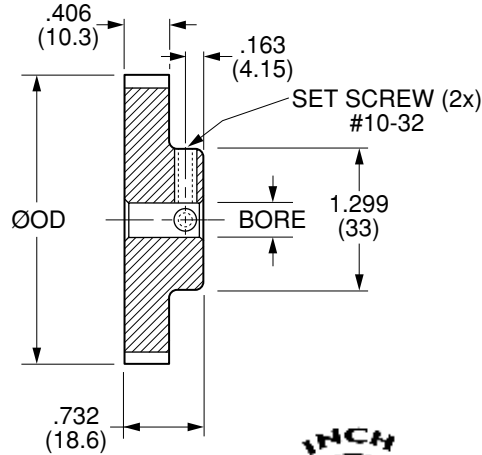
Quality  
Transmission  
Components

# HTD3 Timing Belt Pulleys

**METRIC Pitch 3 mm HTD (.1181")**  
**FOR BELTS UP TO 9 mm OR .354" WIDE**



**MATERIAL:** 2024-T4 or 2024-T351  
Aluminum Alloy  
**FINISH:** Clear Anodize



**NOTE:** Dimensions in ( ) are in mm.

Catalog Number	No. of Teeth	Bore	Pitch Diameter	Outside Diameter ØOD
QPEHTD3A09048N12	48	.3750 (9.53)	1.805 (45.84)	1.775 (45.07)
QPEHTD3A09048N16		.5000 (12.7)		
QPEHTD3A09050N12	50	.3750 (9.53)	1.880 (47.75)	1.850 (46.98)
QPEHTD3A09050N16		.5000 (12.7)		
QPEHTD3A09056N12	56	.3750 (9.53)	2.105 (53.48)	2.075 (52.71)
QPEHTD3A09056N16		.5000 (12.7)		
QPEHTD3A09060N12	60	.3750 (9.53)	2.256 (57.3)	2.226 (56.53)
QPEHTD3A09060N16		.5000 (12.7)		
QPEHTD3A09062N12	62	.3750 (9.53)	2.331 (59.21)	2.301 (58.44)
QPEHTD3A09062N16		.5000 (12.7)		
QPEHTD3A09072N12	72	.3750 (9.53)	2.707 (68.75)	2.677 (67.99)
QPEHTD3A09072N16		.5000 (12.7)		

**Bore Tolerance:**  $+0.0015 \begin{pmatrix} +0.038 \\ +0.0005 \end{pmatrix} \begin{pmatrix} +0.012 \\ +0.012 \end{pmatrix}$

**O.D. Tolerance:** 48 & 50 teeth  $+0.003 \begin{pmatrix} +0.08 \\ -0.000 \end{pmatrix} \begin{pmatrix} 0 \\ 0 \end{pmatrix}$   
56 to 72 teeth  $+0.004 \begin{pmatrix} +0.10 \\ -0.000 \end{pmatrix} \begin{pmatrix} 0 \\ 0 \end{pmatrix}$

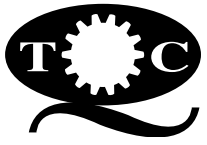
HTD3 TIMING BELT PULLEYS

[www.econobelt.com](http://www.econobelt.com)



Quality Transmission Components

125 Railroad Avenue, Garden City Park, NY 11040-5016  
Phone: (516) 437-6700 • Fax: (516) 328-3343  
e-mail: [support@econobelt.com](mailto:support@econobelt.com)



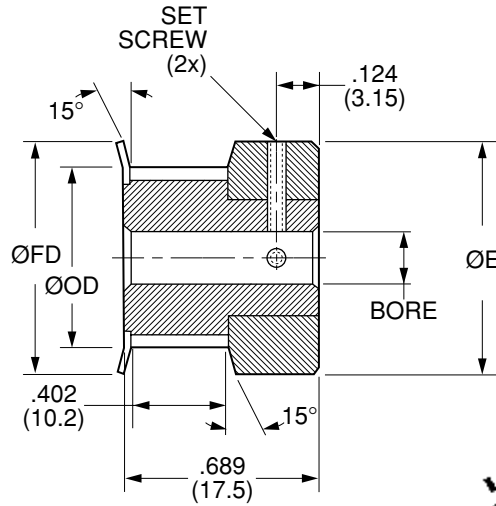
Quality  
Transmission  
Components

# HTD3 Timing Belt Pulleys

**METRIC Pitch 3 mm HTD (.1181")**  
**FOR BELTS UP TO 9 mm OR .345" mm WIDE**



**MATERIAL:** AISI 1045 Steel  
**FINISH:** Black Oxide



**NOTE:** Dimensions in ( ) are in mm.

Catalog Number	No. of Teeth	Bore	Pitch Diameter	Outside Diameter ØOD	Hub Diameter ØE	Flange Diameter ØFD	Set Screw
QPEHTD3S09010F04	10	.1250 (3.18)	.376 (9.55)	.346 (8.79)	.512 (13)	.512 (13)	#4-40
QPEHTD3S09011F06	11	.1875 (4.76)	.414 (10.5)	.384 (9.74)			
QPEHTD3S09012F04	12	.1250 (3.18)	.451 (11.46)	.421 (10.7)	.591 (15)	.591 (15)	#4-40
QPEHTD3S09012F06	12	.1875 (4.76)					#6-40
QPEHTD3S09013F04	13	.1250 (3.18)	.489 (12.41)	.459 (11.65)	.630 (16)	.630 (16)	#4-40
QPEHTD3S09013F06	13	.1875 (4.76)					#6-40
QPEHTD3S09014F04	14	.1250 (3.18)	.526 (13.37)	.496 (12.61)	.630 (16)	.630 (16)	#4-40
QPEHTD3S09014F06	14	.1875 (4.76)					#6-40
QPEHTD3S09015F04	15	.1250 (3.18)	.564 (14.32)	.534 (13.56)	.689 (17.5)	.689 (17.5)	#4-40
QPEHTD3S09015F06	15	.1875 (4.76)					#6-40

**Bore Tolerance:**  $+0.0015 \begin{pmatrix} +0.038 \\ +0.0005 \end{pmatrix} \begin{pmatrix} +0.012 \\ +0.012 \end{pmatrix}$

**O.D. Tolerance:** 10 to 15 teeth  $+0.002 \begin{pmatrix} +0.05 \\ -0.000 \end{pmatrix} \begin{pmatrix} +0.05 \\ 0 \end{pmatrix}$

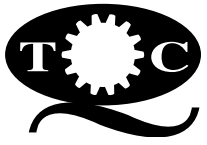
Larger number of teeth on the next page

www.econobelt.com



Quality Transmission Components

125 Railroad Avenue, Garden City Park, NY 11040-5016  
Phone: (516) 437-6700 • Fax: (516) 328-3343  
e-mail: support@econobelt.com



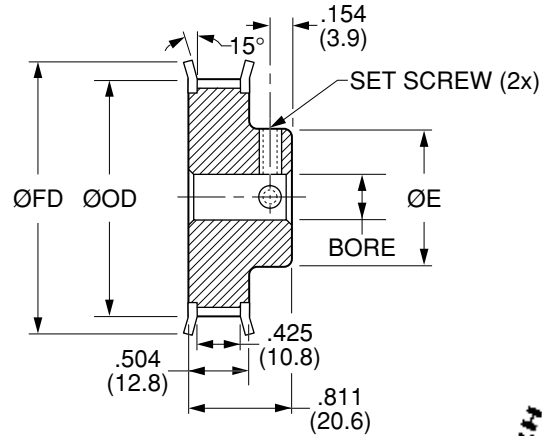
Quality  
Transmission  
Components

# HTD3 Timing Belt Pulleys

**METRIC Pitch 3 mm HTD (.1181")**  
**FOR BELTS UP TO 9 mm OR .354" WIDE**



**MATERIAL:** AISI 1045 Steel  
**FINISH:** Black Oxide



**NOTE:** Dimensions in ( ) are in mm.

Catalog Number	No. of Teeth	Bore	Pitch Diameter	Outside Diameter ØOD	Hub Diameter ØE	Flange Diameter ØFD	Set Screw
QPEHTD3S09016F04	16	.1250 (3.18)	.602 (15.28)	.572 (14.52)	.394 (10)	.709 (18)	#4-40
QPEHTD3S09016F06		.1875 (4.76)					#6-40
QPEHTD3S09017F06	17	.1875 (4.76)	.639 (16.23)	.609 (15.47)	.433 (11)	.768 (19.5)	#6-40
QPEHTD3S09017F08		.2500 (6.35)					#6-32
QPEHTD3S09018F06	18	.1875 (4.76)	.677 (17.19)	.647 (16.43)	.433 (11)	.768 (19.5)	#6-40
QPEHTD3S09018F08		.2500 (6.35)					#6-32
QPEHTD3S09019F06	19	.1875 (4.76)	.714 (18.14)	.684 (17.38)	.472 (12)	.906 (23)	#6-40
QPEHTD3S09019F08		.2500 (6.35)					#6-32
QPEHTD3S09020F06	20	.1875 (4.76)	.752 (19.1)	.722 (18.34)	.512 (13)	.906 (23)	#6-40
QPEHTD3S09020F08		.2500 (6.35)					#6-32
QPEHTD3S09021F06	21	.1875 (4.76)	.790 (20.05)	.760 (19.29)	.551 (14)	.984 (25)	#6-40
QPEHTD3S09021F08		.2500 (6.35)					#8-32
QPEHTD3S09022F06	22	.1875 (4.76)	.827 (21.01)	.797 (20.25)	.551 (14)	.984 (25)	#6-40
QPEHTD3S09022F08		.2500 (6.35)					#8-32
QPEHTD3S09024F06	24	.1875 (4.76)	.902 (22.92)	.872 (22.16)	.551 (14)	.984 (25)	#6-40
QPEHTD3S09024F08		.2500 (6.35)					#8-32

**Bore Tolerance:**  $+.0015 \begin{pmatrix} +.038 \\ +.0005 \end{pmatrix} \begin{pmatrix} +.012 \\ +.012 \end{pmatrix}$

Larger number of teeth on the next page

**O.D. Tolerance:** 16 to 24 teeth  $+.002 \begin{pmatrix} +.05 \\ -.000 \end{pmatrix} \begin{pmatrix} 0 \\ 0 \end{pmatrix}$

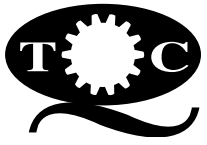
HTD3 TIMING BELT PULLEYS

[www.econobelt.com](http://www.econobelt.com)



Quality Transmission Components

125 Railroad Avenue, Garden City Park, NY 11040-5016  
Phone: (516) 437-6700 • Fax: (516) 328-3343  
e-mail: [support@econobelt.com](mailto:support@econobelt.com)



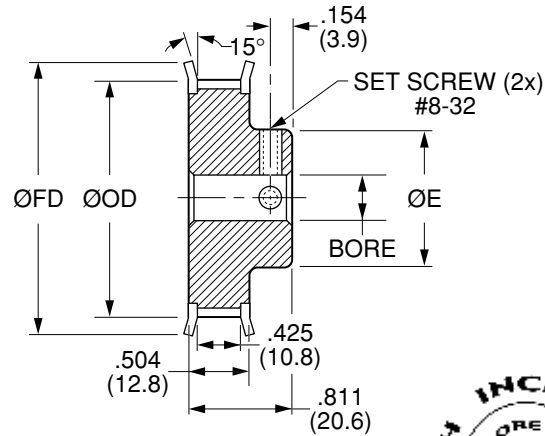
Quality  
Transmission  
Components

# HTD3 Timing Belt Pulleys

**METRIC Pitch 3 mm HTD (.1181")**  
**FOR BELTS UP TO 9 mm OR .354" WIDE**



**MATERIAL:** AISI 1045 Steel  
**FINISH:** Black Oxide



**NOTE:** Dimensions in ( ) are in mm.

Catalog Number	No. of Teeth	Bore	Pitch Diameter	Outside Diameter ØOD	Hub Diameter ØE	Flange Diameter ØFD
QPEHTD3S09025F08	25	.2500 (6.35)	.940 (23.87)	.910 (23.11)	.630 (16)	1.102 (28)
QPEHTD3S09025F10		.3125 (7.94)				
QPEHTD3S09026F08	26	.2500 (6.35)	.977 (24.83)	.947 (24.07)	.630 (16)	1.102 (28)
QPEHTD3S09026F10		.3125 (7.94)				
QPEHTD3S09028F08	28	.2500 (6.35)	1.053 (26.74)	1.023 (25.98)	.709 (18)	1.260 (32)
QPEHTD3S09028F10		.3125 (7.94)				
QPEHTD3S09030F08	30	.2500 (6.35)	1.128 (28.65)	1.098 (27.89)	.787 (20)	1.260 (32)
QPEHTD3S09030F10		.3125 (7.94)				
QPEHTD3S09032F08	32	.2500 (6.35)	1.203 (30.56)	1.173 (29.8)	.866 (22)	1.457 (37)
QPEHTD3S09032F10		.3125 (7.94)				

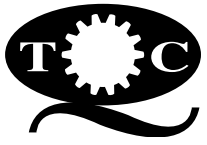
**Bore Tolerance:** +.0015 (+0.038)  
+.0005 (+0.012)

Larger number of teeth on the next page

**O.D. Tolerance:** 25 & 26 teeth +.002 (+0.05)  
-.000 (0)  
28 to 32 teeth +.003 (+0.08)  
-.000 (0)

HTD3 TIMING BELT PULLEYS





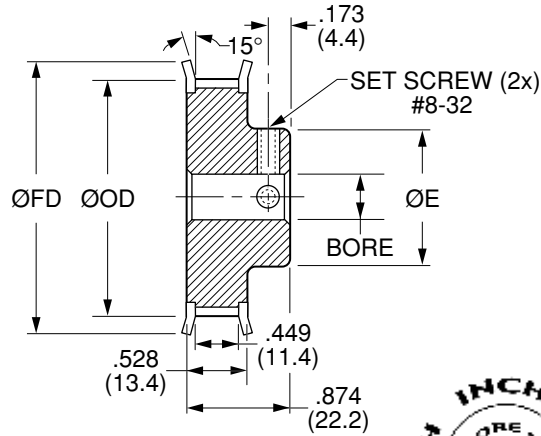
Quality  
Transmission  
Components

# HTD3 Timing Belt Pulleys

**METRIC Pitch 3 mm HTD (.1181")**  
**FOR BELTS UP TO 9 mm OR .354" WIDE**



**MATERIAL:** AISI 1045 Steel  
**FINISH:** Black Oxide



**NOTE:** Dimensions in ( ) are in mm.

Catalog Number	No. of Teeth	Bore	Pitch Diameter	Outside Diameter ØOD	Hub Diameter ØE	Flange Diameter ØFD
QPEHTD3S09034F08	34	.2500 (6.35)	1.278 (32.47)	1.248 (31.71)	.906 (23)	1.496 (38)
QPEHTD3S09034F10		.3125 (7.94)				
QPEHTD3S09036F08	36	.2500 (6.35)	1.353 (34.38)	1.323 (33.62)	.945 (24)	1.496 (38)
QPEHTD3S09036F10		.3125 (7.94)				
QPEHTD3S09038F10	38	.3125 (7.94)	1.429 (36.29)	1.399 (35.53)	1.102 (28)	1.693 (43)
QPEHTD3S09038F12		.3750 (9.53)				
QPEHTD3S09040F10	40	.3125 (7.94)	1.504 (38.2)	1.474 (37.44)	1.102 (28)	1.693 (43)
QPEHTD3S09040F12		.3750 (9.53)				
QPEHTD3S09044F10	44	.3125 (7.94)	1.654 (42.02)	1.624 (41.25)	1.299 (33)	1.890 (48)
QPEHTD3S09044F12		.3750 (9.53)				

**Bore Tolerance:** +.0015 (+0.038)  
+.0005 (+0.012)

Larger number of teeth on the next page

**O.D. Tolerance:** 34 to 44 teeth +.003 (+0.08)  
-.000 (0)

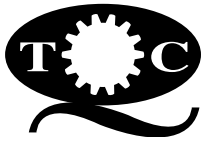
HTD3 TIMING BELT PULLEYS

www.econobelt.com



Quality Transmission Components

125 Railroad Avenue, Garden City Park, NY 11040-5016  
Phone: (516) 437-6700 • Fax: (516) 328-3343  
e-mail: support@econobelt.com



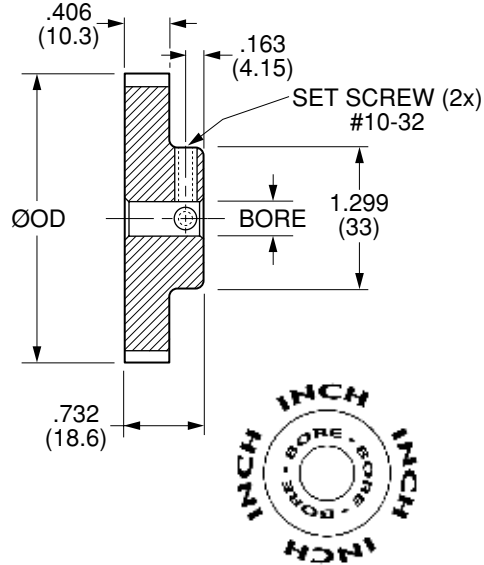
Quality  
Transmission  
Components

# HTD3 Timing Belt Pulleys

**METRIC Pitch 3 mm HTD (.1181")**  
**FOR BELTS UP TO 9 mm OR .354" WIDE**



**MATERIAL:** AISI 1045 Steel  
**FINISH:** Black Oxide



**NOTE:** Dimensions in ( ) are in mm.

Catalog Number	No. of Teeth	Bore	Pitch Diameter	Outside Diameter ØOD
QPEHTD3S09048N12	48	.3750 (9.53)	1.805 (45.84)	1.775 (45.07)
QPEHTD3S09048N16		.5000 (12.7)		
QPEHTD3S09050N12	50	.3750 (9.53)	1.880 (47.75)	1.850 (46.98)
QPEHTD3S09050N16		.5000 (12.7)		
QPEHTD3S09056N12	56	.3750 (9.53)	2.105 (53.48)	2.075 (52.71)
QPEHTD3S09056N16		.5000 (12.7)		
QPEHTD3S09060N12	60	.3750 (9.53)	2.256 (57.3)	2.226 (56.53)
QPEHTD3S09060N16		.5000 (12.7)		
QPEHTD3S09062N12	62	.3750 (9.53)	2.331 (59.21)	2.301 (58.44)
QPEHTD3S09062N16		.5000 (12.7)		
QPEHTD3S09072N12	72	.3750 (9.53)	2.707 (68.75)	2.677 (67.99)
QPEHTD3S09072N16		.5000 (12.7)		

**Bore Tolerance:** +.0015 (+0.038)  
+.0005 (+0.012)

**O.D. Tolerance:** 48 & 50 teeth +.003 (+0.08)  
-.000 (0)  
56 to 72 teeth +.004 (+0.10)  
-.000 (0)

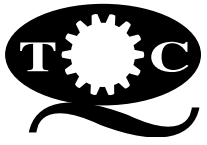
HTD3 TIMING BELT PULLEYS

[www.econobelt.com](http://www.econobelt.com)



Quality Transmission Components

125 Railroad Avenue, Garden City Park, NY 11040-5016  
Phone: (516) 437-6700 • Fax: (516) 328-3343  
e-mail: [support@econobelt.com](mailto:support@econobelt.com)



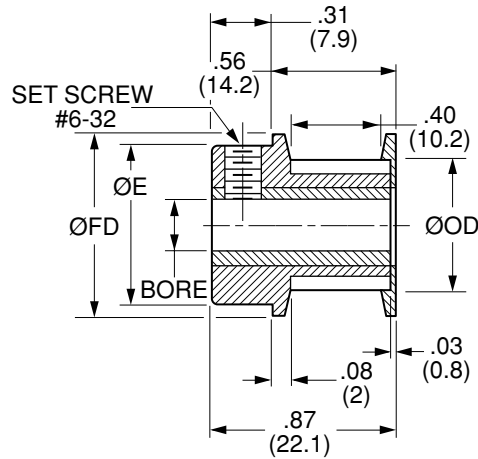
Quality  
Transmission  
Components

# HTD3 Timing Belt Pulleys

**METRIC Pitch 3 mm HTD (.1181")**  
**FOR BELTS UP TO 9 mm OR .354" WIDE**



**MATERIAL:**  
**Pulley** - Nylon – Black, Fiberglass Reinforced  
**Insert** - Aluminum



**NOTE:** Dimensions in ( ) are mm.

Catalog Number	No. of Teeth	Bore	P.D.	ØOD ±.005 (±0.13)	Hub Diameter ØE	Flange Diameter ØFD
QPEHTD3N09014F08	14	.2500 (6.35)	.526 (13.36)	.496 (12.61)	.59 (15)	.63 (16)
QPEHTD3N09015F08	15	.2500 (6.35)	.564 (14.33)	.534 (13.56)	.59 (15)	.68 (17.3)
QPEHTD3N09016F08	16	.2500 (6.35)	.602 (15.29)	.572 (14.53)	.59 (15)	.71 (18)
QPEHTD3N09018F08	18	.2500 (6.35)	.677 (17.2)	.647 (16.43)	.75 (19.1)	.79 (20.1)
QPEHTD3N09020F08	20	.2500 (6.35)	.752 (19.1)	.722 (18.34)	.75 (19.1)	.89 (22.6)
QPEHTD3N09022F08	22	.2500 (6.35)	.827 (21.01)	.797 (20.24)	.75 (19.1)	.94 (23.9)
QPEHTD3N09024F08	24	.2500 (6.35)	.902 (22.91)	.872 (22.15)	.88 (22.4)	1.02 (25.9)
QPEHTD3N09024F10		.3125 (7.94)				
QPEHTD3N09024F12		.3750 (9.53)				

Bore Tolerance:  $\begin{matrix} +.0015 & (+.038) \\ +.0005 & (+.012) \end{matrix}$

Larger number of teeth on the next page

HTD3 TIMING BELT PULLEYS

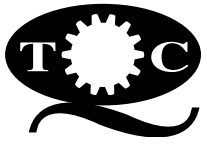
Other bore sizes available on special request.  
See page 1-131

www.econobelt.com



Quality Transmission Components

125 Railroad Avenue, Garden City Park, NY 11040-5016  
Phone: (516) 437-6700 • Fax: (516) 328-3343  
e-mail: support@econobelt.com



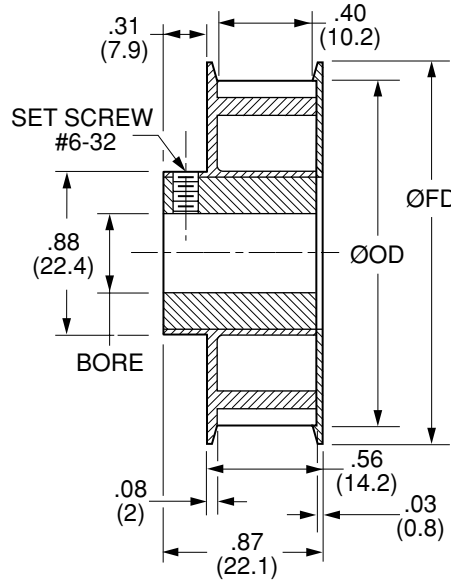
Quality  
Transmission  
Components

# HTD3 Timing Belt Pulleys

**METRIC Pitch 3 mm HTD (.1181")  
FOR BELTS UP TO 9 mm OR .354" WIDE**



**MATERIAL:**  
Pulley - Nylon – Black, Fiberglass Reinforced  
Insert - Aluminum



**NOTE:** Dimensions in ( ) are mm.

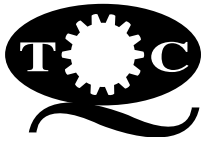
Catalog Number	No. of Teeth	Bore	P.D.	ØOD ±.005 (±0.13)	Flange Diameter ØFD
QPEHTD3N09028F08	28	.2500 (6.35)	1.053 (26.75)	1.023 (25.98)	1.17 (29.7)
QPEHTD3N09028F10		.3125 (7.94)			
QPEHTD3N09028F12		.3750 (9.53)			
QPEHTD3N09030F08	30	.2500 (6.35)	1.128 (28.65)	1.098 (27.89)	1.24 (31.5)
QPEHTD3N09030F10		.3125 (7.94)			
QPEHTD3N09030F12		.3750 (9.53)			
QPEHTD3N09032F08	32	.2500 (6.35)	1.203 (30.56)	1.173 (29.79)	1.32 (33.5)
QPEHTD3N09032F10		.3125 (7.94)			
QPEHTD3N09032F12		.3750 (9.53)			
QPEHTD3N09036F08	36	.2500 (6.35)	1.353 (34.37)	1.323 (33.6)	1.47 (37.3)
QPEHTD3N09036F10		.3125 (7.94)			
QPEHTD3N09036F12		.3750 (9.53)			
QPEHTD3N09040F08	40	.2500 (6.35)	1.504 (38.2)	1.474 (37.44)	1.61 (40.9)
QPEHTD3N09040F10		.3125 (7.94)			
QPEHTD3N09040F12		.3750 (9.53)			
QPEHTD3N09042F08	42	.2500 (6.35)	1.579 (40.11)	1.549 (39.35)	1.70 (43.2)
QPEHTD3N09042F10		.3125 (7.94)			
QPEHTD3N09042F12		.3750 (9.53)			

Bore Tolerance:  $\begin{matrix} +.0015 & (+0.038) \\ +.0005 & (+0.012) \end{matrix}$

Larger number of teeth on the next page

HTD3 TIMING BELT PULLEYS





Quality  
Transmission  
Components

# HTD3 Timing Belt Pulleys

**METRIC Pitch 3 mm HTD (.1181")**  
**FOR BELTS UP TO 9 mm OR .354" WIDE**

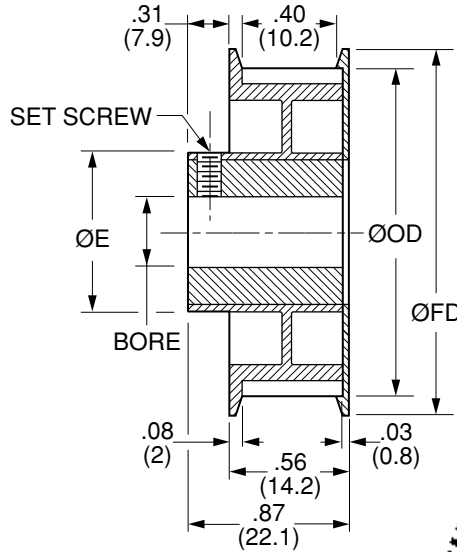
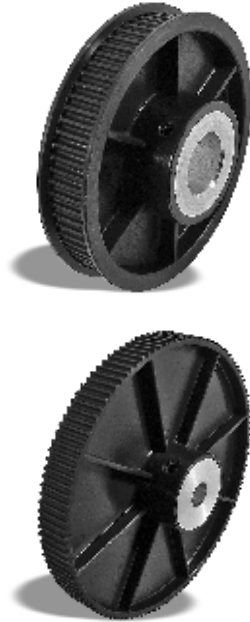


Fig. 1  
DOUBLE FLANGE

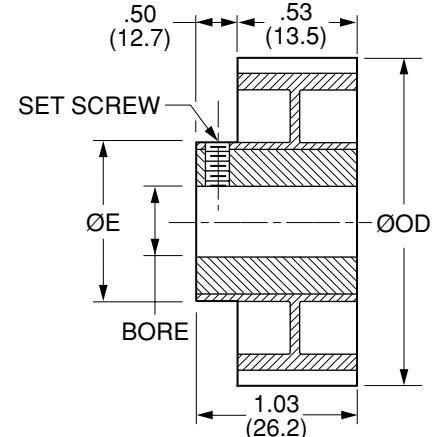


Fig. 2  
NO FLANGE



**MATERIAL:**  
Pulley - Nylon – Black, Fiberglass Reinforced  
Insert - Aluminum

NOTE: Dimensions in ( ) are mm.

Catalog Number	No. of Teeth	Fig. No.	Bore	P.D.	ØOD ±.005 (±0.13)	Hub Diameter ØE	Flange Diameter ØFD	Set Screw
QPEHTD3N09048F08	48	1	.2500 (6.35)	1.805 (45.85)	1.775 (45.09)	.88 (22.4)	1.92 (48.8)	#6-32
QPEHTD3N09048F10			.3125 (7.94)					
QPEHTD3N09048F12			.3750 (9.53)					
QPEHTD3N09050F10	50	1	.3125 (7.94)	1.880 (47.75)	1.850 (46.99)	.88 (22.4)	2.00 (50.8)	#6-32
QPEHTD3N09050F12			.3750 (9.53)					
QPEHTD3N09050F16			.5000 (12.7)					
QPEHTD3N09060F10	60	1	.3125 (7.94)	2.256 (57.3)	2.226 (56.54)	.88 (22.4)	2.38 (60.5)	#6-32
QPEHTD3N09060F12			.3750 (9.53)					
QPEHTD3N09060F16			.5000 (12.7)					
QPEHTD3N09072F10	72	1	.3125 (7.94)	2.707 (68.76)	2.677 (68)	1.25 (31.8)	2.83 (71.9)	#6-32
QPEHTD3N09072F12			.3750 (9.53)					
QPEHTD3N09072F16			.5000 (12.7)					
QPEHTD3N09120N12	120	2	.3750 (9.53)	4.511 (114.58)	4.481 (113.82)	1.25 (31.8)	—	#6-32
QPEHTD3N09120N16			.5000 (12.7)					

Bore Tolerance: +.0015 (+0.038)  
+.0005 (+0.012)

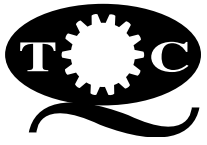
HTD3 TIMING BELT PULLEYS

www.econobelt.com



Quality Transmission Components

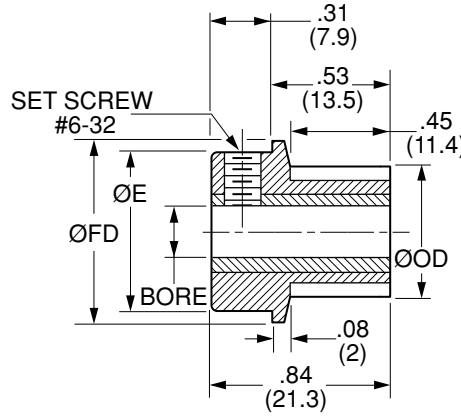
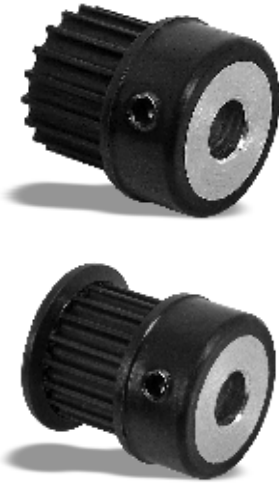
125 Railroad Avenue, Garden City Park, NY 11040-5016  
Phone: (516) 437-6700 • Fax: (516) 328-3343  
e-mail: support@econobelt.com



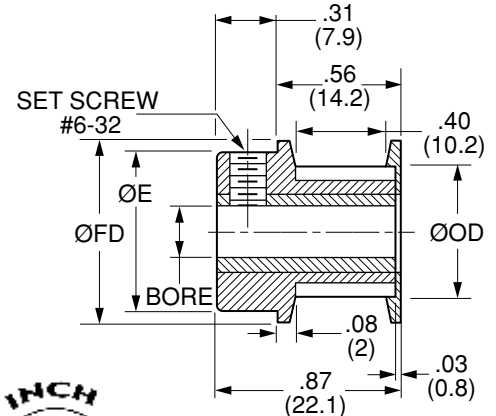
Quality  
Transmission  
Components

# HTD3 Timing Belt Pulleys

**METRIC Pitch 3 mm HTD (.1181")**  
**FOR BELTS UP TO 9 mm OR .354" WIDE**



**Fig. 1**  
**SINGLE FLANGE**



**Fig. 2**  
**DOUBLE FLANGE**



**MATERIAL:**  
**Pulley** - Nylon – Black, Fiberglass Reinforced  
**Insert** - Aluminum

These bore sizes available on special request

NOTE: Dimensions in ( ) are mm.

Catalog Number	No. of Teeth	Fig. No.	Bore	P.D.	ØOD ±.005 (±0.13)	Hub Dia. ØE	Flange Dia. ØFD
QPEHTD3N09014S06	14	1	.1875 (4.76)	.526 (13.36)	.496 (12.61)	.59 (15)	.63 (16)
QPEHTD3N09014F06		2	.1875 (4.76)				
QPEHTD3N09014S08		1	.2500 (6.35)				
QPEHTD3N09015S06	15	1	.1875 (4.76)	.564 (14.33)	.534 (13.56)	.59 (15)	.68 (17.3)
QPEHTD3N09015F06		2	.1875 (4.76)				
QPEHTD3N09015S08		1	.2500 (6.35)				
QPEHTD3N09016S06	16	1	.1875 (4.76)	.602 (15.29)	.572 (14.53)	.59 (15)	.71 (18)
QPEHTD3N09016F06		2	.1875 (4.76)				
QPEHTD3N09016S08		1	.2500 (6.35)				
QPEHTD3N09018S06	18	1	.1875 (4.76)	.677 (17.2)	.647 (16.43)	.75 (19.1)	.79 (20.1)
QPEHTD3N09018F06		2	.1875 (4.76)				
QPEHTD3N09018S08		1	.2500 (6.35)				
QPEHTD3N09020S06	20	1	.1875 (4.76)	.752 (19.1)	.722 (18.34)	.75 (19.1)	.89 (22.6)
QPEHTD3N09020F06		2	.1875 (4.76)				
QPEHTD3N09020S08		1	.2500 (6.35)				
QPEHTD3N09022S06	22	1	.1875 (4.76)	.827 (21.01)	.797 (20.24)	.75 (19.1)	.94 (23.9)
QPEHTD3N09022F06		2	.1875 (4.76)				
QPEHTD3N09022S08		1	.2500 (6.35)				
QPEHTD3N09024S08	24	1	.2500 (6.35)	.902 (22.91)	.872 (22.15)	.88 (22.4)	1.02 (25.9)
QPEHTD3N09024S10			.3125 (7.94)				
QPEHTD3N09024S12			.3750 (9.53)				

Bore Tolerance: +.0015 (+0.038)  
+.0005 (+0.012)

Larger number of teeth on the next page

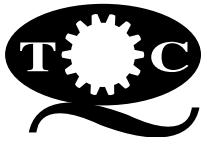
HTD3 TIMING BELT PULLEYS

www.econobelt.com



Quality Transmission Components

125 Railroad Avenue, Garden City Park, NY 11040-5016  
Phone: (516) 437-6700 • Fax: (516) 328-3343  
e-mail: support@econobelt.com



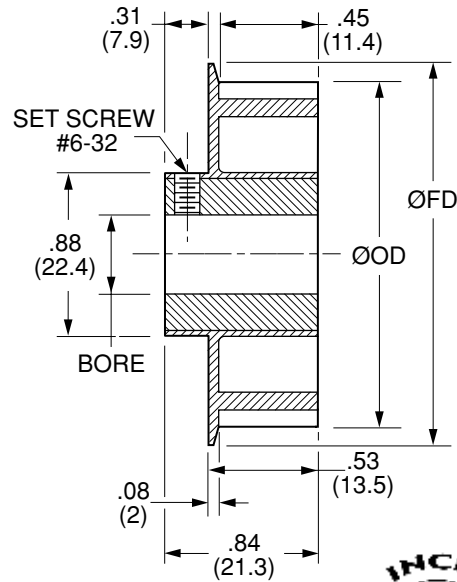
Quality  
Transmission  
Components

# HTD3 Timing Belt Pulleys

**METRIC Pitch 3 mm HTD (.1181")**  
**FOR BELTS UP TO 9 mm OR .354" WIDE**



**MATERIAL:**  
Pulley - Nylon – Black, Fiberglass Reinforced  
Insert - Aluminum



These bore sizes available on special request

NOTE: Dimensions in ( ) are mm.

Catalog Number	No. of Teeth	Bore	P.D.	ØOD ±.005 (±0.13)	Flange Dia. ØFD
QPEHTD3N09028S08	28	.2500 (6.35)	1.053 (26.75)	1.023 (25.98)	1.17 (29.7)
QPEHTD3N09028S10		.3125 (7.94)			
QPEHTD3N09028S12		.3750 (9.53)			
QPEHTD3N09030S08	30	.2500 (6.35)	1.128 (28.65)	1.098 (27.89)	1.24 (31.5)
QPEHTD3N09030S10		.3125 (7.94)			
QPEHTD3N09030S12		.3750 (9.53)			
QPEHTD3N09032S08	32	.2500 (6.35)	1.203 (30.56)	1.173 (29.79)	1.32 (33.5)
QPEHTD3N09032S10		.3125 (7.94)			
QPEHTD3N09032S12		.3750 (9.53)			
QPEHTD3N09036S08	36	.2500 (6.35)	1.353 (34.37)	1.323 (33.6)	1.47 (37.3)
QPEHTD3N09036S10		.3125 (7.94)			
QPEHTD3N09036S12		.3750 (9.53)			

Bore Tolerance: +.0015 (+0.038)  
+.0005 (+0.012)

Larger number of teeth on the next page

HTD3 TIMING BELT PULLEYS

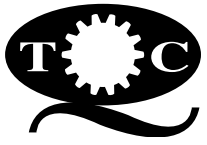
www.econobelt.com



Quality Transmission Components

125 Railroad Avenue, Garden City Park, NY 11040-5016  
Phone: (516) 437-6700 • Fax: (516) 328-3343  
e-mail: support@econobelt.com

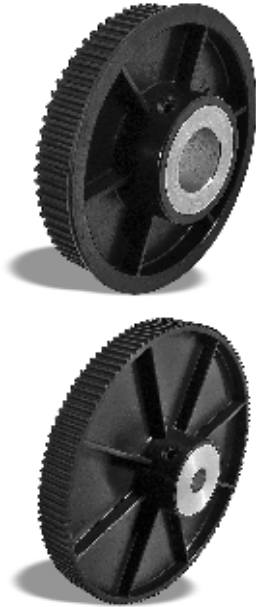




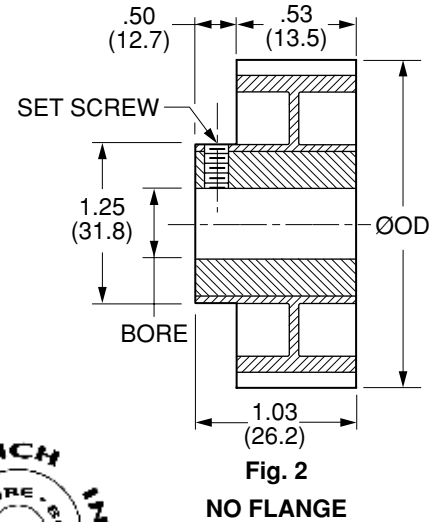
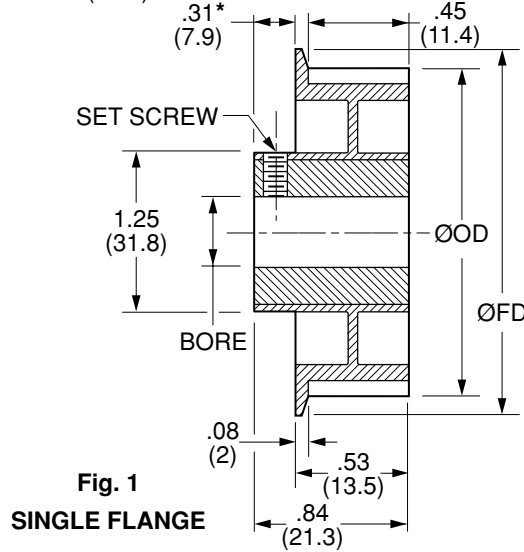
Quality  
Transmission  
Components

# HTD3 Timing Belt Pulleys

METRIC Pitch 3 mm HTD (.1181")  
FOR BELTS UP TO 9 mm OR .354" WIDE



\*For 120 tooth pulley, hub length is 50 (12.7)



**MATERIAL:**

Pulley - Nylon – Black, Fiberglass Reinforced  
Insert - Aluminum

These bore sizes available on special request

NOTE: Dimensions in ( ) are mm.

Catalog Number	No. of Teeth	Fig. No.	Bore	P.D.	ØOD ±.005 (±0.13)	Flange Diameter ØFD	Set Screw
QPEHTD3N09072S10	72	1	.3125 (7.94)	2.707 (68.76)	2.677 (68)	2.83 (71.9)	#6-32
QPEHTD3N09072S12			.3750 (9.53)				#6-32
QPEHTD3N09072S16			.5000 (12.7)				#10-24
QPEHTD3N09120S12	120	1	.3750 (9.53)	4.511 (114.58)	4.481 (113.82)	4.63 (117.6)	#6-32
QPEHTD3N09120S16			.5000 (12.7)				#10-24
QPEHTD3N09120S20			.6250 (15.88)				#10-24
QPEHTD3N09120N20			.6250 (15.88)				#10-24

Bore Tolerance: +.0015 (+0.038)  
+.0005 (+0.012)

HTD3 TIMING BELT PULLEYS

www.econobelt.com



Quality Transmission Components

125 Railroad Avenue, Garden City Park, NY 11040-5016  
Phone: (516) 437-6700 • Fax: (516) 328-3343  
e-mail: support@econobelt.com