

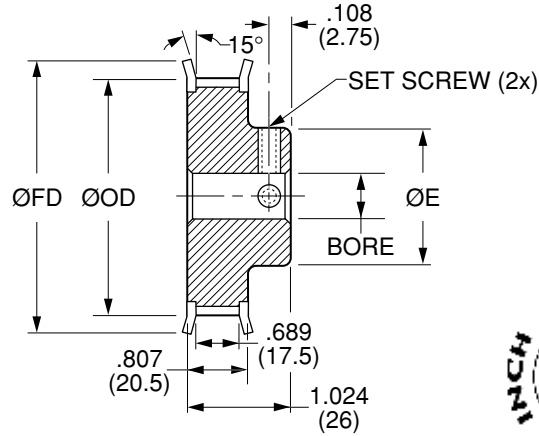
Quality  
Transmission  
Components

# HTD5 Timing Belt Pulleys

**METRIC Pitch 5 mm HTD (.1969")**  
**FOR BELTS UP TO 15 mm OR .591" WIDE**



**MATERIAL:** 2024-T4 or 2024-T351  
Aluminum Alloy  
**FINISH:** Clear Anodize



**NOTE:** Dimensions in ( ) are in mm.

Catalog Number	No. of Teeth	Bore	Pitch Diameter	Outside Diameter ØOD	Hub Diameter ØE	Flange Diameter ØFD	Set Screw
QPEHTD5A15012F06	12	.1875 (4.76)	.752 (19.1)	.707 (17.96)	.472 (12)	.906 (23)	#6-32
QPEHTD5A15012F08		.2500 (6.35)					#8-32
QPEHTD5A15013F06	13	.1875 (4.76)	.815 (20.69)	.770 (19.55)	.512 (13)	.984 (25)	#6-32
QPEHTD5A15013F08		.2500 (6.35)					#8-32
QPEHTD5A15014F06	14	.1875 (4.76)	.877 (22.28)	.832 (21.14)	.512 (13)	.984 (25)	#6-32
QPEHTD5A15014F08		.2500 (6.35)					#8-32
QPEHTD5A15015F06	15	.1875 (4.76)	.940 (23.87)	.895 (22.73)	.630 (16)	1.102 (28)	#6-32
QPEHTD5A15015F08		.2500 (6.35)					#8-32
QPEHTD5A15016F06	16	.1875 (4.76)	1.003 (25.46)	.958 (24.32)	.630 (16)	1.102 (28)	#6-32
QPEHTD5A15016F08		.2500 (6.35)					#8-32
QPEHTD5A15017F06	17	.1875 (4.76)	1.065 (27.06)	1.020 (25.91)	.709 (18)	1.260 (32)	#6-32
QPEHTD5A15017F08		.2500 (6.35)					#8-32
QPEHTD5A15018F06	18	.1875 (4.76)	1.128 (28.65)	1.083 (27.5)	.748 (19)	1.260 (32)	#6-32
QPEHTD5A15018F08		.2500 (6.35)					#8-32
QPEHTD5A15019F06	19	.1875 (4.76)	1.191 (30.24)	1.146 (29.1)	.787 (20)	1.260 (32)	#6-32
QPEHTD5A15019F08		.2500 (6.35)					#8-32
QPEHTD5A15020F06	20	.1875 (4.76)	1.253 (31.83)	1.208 (30.69)	.906 (23)	1.417 (36)	#6-32
QPEHTD5A15020F08		.2500 (6.35)					#8-32
QPEHTD5A15021F06	21	.1875 (4.76)	1.316 (33.42)	1.271 (32.28)	.945 (24)	1.496 (38)	#6-32
QPEHTD5A15021F08		.2500 (6.35)					#8-32
QPEHTD5A15022F06	22	.1875 (4.76)	1.379 (35.01)	1.334 (33.87)	1.024 (26)	1.535 (39)	#6-32
QPEHTD5A15022F08		.2500 (6.35)					#8-32

**Bore Tolerance:** +.0015 (+0.038)  
+.0005 (+0.012)

Larger number of teeth on the next page

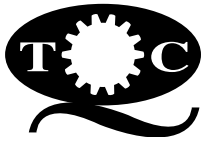
**O.D. Tolerance:** 12 to 16 teeth +.002 (+0.05)  
-.000 (0)  
17 to 22 teeth +.003 (+0.08)  
-.000 (0)

www.econobelt.com



Quality Transmission Components

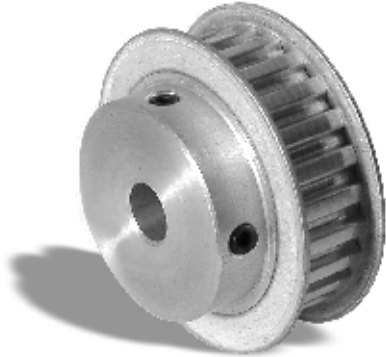
125 Railroad Avenue, Garden City Park, NY 11040-5016  
Phone: (516) 437-6700 • Fax: (516) 328-3343  
e-mail: support@econobelt.com



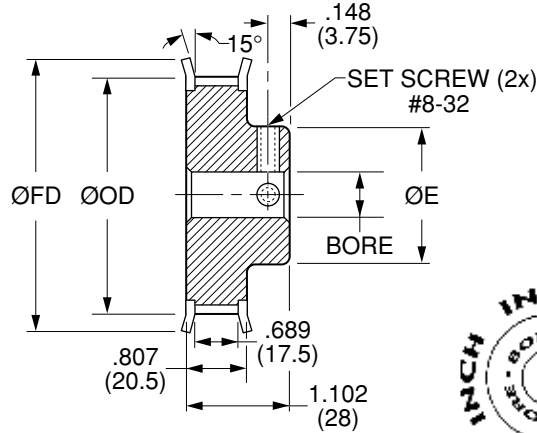
Quality  
Transmission  
Components

# HTD5 Timing Belt Pulleys

**METRIC Pitch 5 mm HTD (.1969")  
FOR BELTS UP TO 15 mm OR .591" WIDE**



**MATERIAL:** 2024-T4 or 2024-T351  
Aluminum Alloy  
**FINISH:** Clear Anodize



**NOTE:** Dimensions in ( ) are in mm.

Catalog Number	No. of Teeth	Bore	Pitch Diameter	Outside Diameter ØOD	Hub Diameter ØE	Flange Diameter ØFD
QPEHTD5A15024F08	24	.2500 (6.35)	1.504 (38.2)	1.459 (37.05)	1.063 (27)	1.654 (42)
QPEHTD5A15024F10		.3125 (7.94)				
QPEHTD5A15025F08	25	.2500 (6.35)	1.566 (39.79)	1.521 (38.65)	1.181 (30)	1.732 (44)
QPEHTD5A15025F10		.3125 (7.94)				
QPEHTD5A15026F08	26	.2500 (6.35)	1.629 (41.38)	1.584 (40.24)	1.181 (30)	1.732 (44)
QPEHTD5A15026F10		.3125 (7.94)				
QPEHTD5A15028F08	28	.2500 (6.35)	1.754 (44.56)	1.709 (43.42)	1.220 (31)	1.890 (48)
QPEHTD5A15028F10		.3125 (7.94)				
QPEHTD5A15030F08	30	.2500 (6.35)	1.880 (47.75)	1.835 (46.6)	1.378 (35)	2.008 (51)
QPEHTD5A15030F10		.3125 (7.94)				
QPEHTD5A15032F08	32	.2500 (6.35)	2.005 (50.93)	1.960 (49.79)	1.496 (38)	2.126 (54)
QPEHTD5A15032F10		.3125 (7.94)				
QPEHTD5A15034F08	34	.2500 (6.35)	2.130 (54.11)	2.085 (52.97)	1.496 (38)	2.126 (54)
QPEHTD5A15034F10		.3125 (7.94)				
QPEHTD5A15035F08	35	.2500 (6.35)	2.193 (55.7)	2.148 (54.56)	1.496 (38)	2.244 (57)
QPEHTD5A15035F10		.3125 (7.94)				
QPEHTD5A15036F10	36	.3125 (7.94)	2.256 (57.3)	2.211 (56.15)	1.496 (38)	2.362 (60)
QPEHTD5A15036F12		.3750 (9.53)				
QPEHTD5A15038F10	38	.3125 (7.94)	2.381 (60.48)	2.336 (59.34)	1.496 (38)	2.756 (70)
QPEHTD5A15038F12		.3750 (9.53)				
QPEHTD5A15040F10	40	.3125 (7.94)	2.506 (63.66)	2.461 (62.52)	1.496 (38)	2.756 (70)
QPEHTD5A15040F12		.3750 (9.53)				

**Bore Tolerance:** +.0015 (+0.038)  
+.0005 (+0.012)

Larger number of teeth on the next page

**O.D. Tolerance:** 24 to 32 teeth +.003 (+0.08)  
-.000 (0)  
34 to 40 teeth +.004 (+0.10)  
-.000 (0)

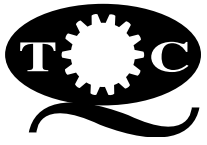
HTD5 TIMING BELT PULLEYS

[www.econobelt.com](http://www.econobelt.com)



Quality Transmission Components

125 Railroad Avenue, Garden City Park, NY 11040-5016  
Phone: (516) 437-6700 • Fax: (516) 328-3343  
e-mail: support@econobelt.com



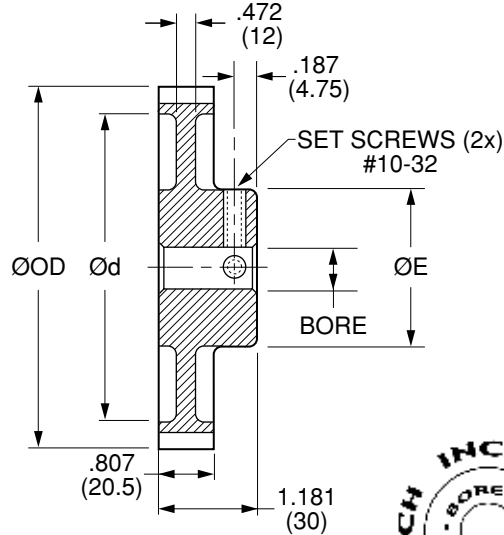
Quality  
Transmission  
Components

# HTD5 Timing Belt Pulleys

**METRIC Pitch 5 mm HTD (.1969")**  
**FOR BELTS UP TO 15 mm OR .591" WIDE**



**MATERIAL:** 2024-T4 or 2024-T351  
Aluminum Alloy  
**FINISH:** Clear Anodize



**NOTE:** Dimensions in ( ) are in mm.

Catalog Number	No. of Teeth	Bore	Pitch Diameter	Outside Diameter ØOD	Hub Diameter ØE	Ød
QPEHTD5A15044N12	44	.3750 (9.53)	2.757 (70.03)	2.712 (68.89)	1.496 (38)	2.362 (60)
QPEHTD5A15044N16		.5000 (12.7)				
QPEHTD5A15048N12	48	.3750 (9.53)	3.008 (76.39)	2.963 (75.25)	1.496 (38)	2.559 (65)
QPEHTD5A15048N16		.5000 (12.7)				
QPEHTD5A15050N12	50	.3750 (9.53)	3.133 (79.58)	3.088 (78.43)	1.496 (38)	2.756 (70)
QPEHTD5A15050N16		.5000 (12.7)				
QPEHTD5A15056N12	56	.3750 (9.53)	3.509 (89.13)	3.464 (87.98)	1.496 (38)	3.150 (80)
QPEHTD5A15056N16		.5000 (12.7)				
QPEHTD5A15060N12	60	.3750 (9.53)	3.760 (95.49)	3.715 (94.35)	1.969 (50)	3.346 (85)
QPEHTD5A15060N16		.5000 (12.7)				
QPEHTD5A15062N12	62	.3750 (9.53)	3.885 (98.68)	3.840 (97.53)	1.969 (50)	3.543 (90)
QPEHTD5A15062N16		.5000 (12.7)				
QPEHTD5A15072N12	72	.3750 (9.53)	4.511 (114.59)	4.466 (113.45)	1.969 (50)	4.134 (105)
QPEHTD5A15072N16		.5000 (12.7)				

**Bore Tolerance:**  $\begin{matrix} +.0015 & (+0.038) \\ +.0005 & (+0.012) \end{matrix}$

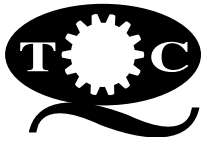
**O.D. Tolerance:** 44 to 62 teeth  $\begin{matrix} +.004 & (+0.10) \\ -.000 & 0 \end{matrix}$   
72 teeth  $\begin{matrix} +.005 & (+0.13) \\ -.000 & 0 \end{matrix}$

[www.econobelt.com](http://www.econobelt.com)



Quality Transmission Components

125 Railroad Avenue, Garden City Park, NY 11040-5016  
Phone: (516) 437-6700 • Fax: (516) 328-3343  
e-mail: [support@econobelt.com](mailto:support@econobelt.com)



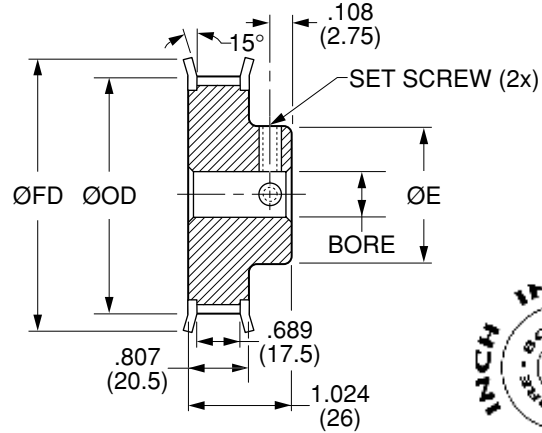
Quality  
Transmission  
Components

# HTD5 Timing Belt Pulleys

**METRIC Pitch 5 mm HTD (.1969")**  
**FOR BELTS UP TO 15 mm OR .591" WIDE**



**MATERIAL:** AISI 1045 Steel  
**FINISH:** Black Oxide



**NOTE:** Dimensions in ( ) are in mm.

Catalog Number	No. of Teeth	Bore	Pitch Diameter	Outside Diameter ØOD	Hub Diameter ØE	Flange Diameter ØFD	Set Screw
QPEHTD5S15012F06	12	.1875 (4.76)	.752 (19.1)	.707 (17.96)	.472 (12)	.906 (23)	#6-32
QPEHTD5S15012F08		.2500 (6.35)					#8-32
QPEHTD5S15013F06	13	.1875 (4.76)	.815 (20.69)	.770 (19.55)	.512 (13)	.984 (25)	#6-32
QPEHTD5S15013F08		.2500 (6.35)					#8-32
QPEHTD5S15014F06	14	.1875 (4.76)	.877 (22.28)	.832 (21.14)	.512 (13)	.984 (25)	#6-32
QPEHTD5S15014F08		.2500 (6.35)					#8-32
QPEHTD5S15015F06	15	.1875 (4.76)	.940 (23.87)	.895 (22.73)	.630 (16)	1.102 (28)	#6-32
QPEHTD5S15015F08		.2500 (6.35)					#8-32
QPEHTD5S15016F06	16	.1875 (4.76)	1.003 (25.46)	.958 (24.32)	.630 (16)	1.102 (28)	#6-32
QPEHTD5S15016F08		.2500 (6.35)					#8-32
QPEHTD5S15017F06	17	.1875 (4.76)	1.065 (27.06)	1.020 (25.91)	.709 (18)	1.260 (32)	#6-32
QPEHTD5S15017F08		.2500 (6.35)					#8-32
QPEHTD5S15018F06	18	.1875 (4.76)	1.128 (28.65)	1.083 (27.5)	.748 (19)	1.260 (32)	#6-32
QPEHTD5S15018F08		.2500 (6.35)					#8-32
QPEHTD5S15019F06	19	.1875 (4.76)	1.191 (30.24)	1.146 (29.1)	.787 (20)	1.260 (32)	#6-32
QPEHTD5S15019F08		.2500 (6.35)					#8-32
QPEHTD5S15020F06	20	.1875 (4.76)	1.253 (31.83)	1.208 (30.69)	.906 (23)	1.417 (36)	#6-32
QPEHTD5S15020F08		.2500 (6.35)					#8-32
QPEHTD5S15021F06	21	.1875 (4.76)	1.316 (33.42)	1.271 (32.28)	.945 (24)	1.496 (38)	#6-32
QPEHTD5S15021F08		.2500 (6.35)					#8-32
QPEHTD5S15022F06	22	.1875 (4.76)	1.379 (35.01)	1.334 (33.87)	1.024 (26)	1.535 (39)	#6-32
QPEHTD5S15022F08		.2500 (6.35)					#8-32

**Bore Tolerance:** +.0015 (+0.038)  
+.0005 (+0.012)

Larger number of teeth on the next page

**O.D. Tolerance:** 12 to 16 teeth +.002 (+0.05)  
-.000 (0)  
17 to 22 teeth +.003 (+0.08)  
-.000 (0)

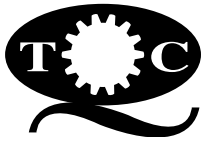
HTD5 TIMING BELT PULLEYS

[www.econobelt.com](http://www.econobelt.com)



Quality Transmission Components

125 Railroad Avenue, Garden City Park, NY 11040-5016  
Phone: (516) 437-6700 • Fax: (516) 328-3343  
e-mail: support@econobelt.com



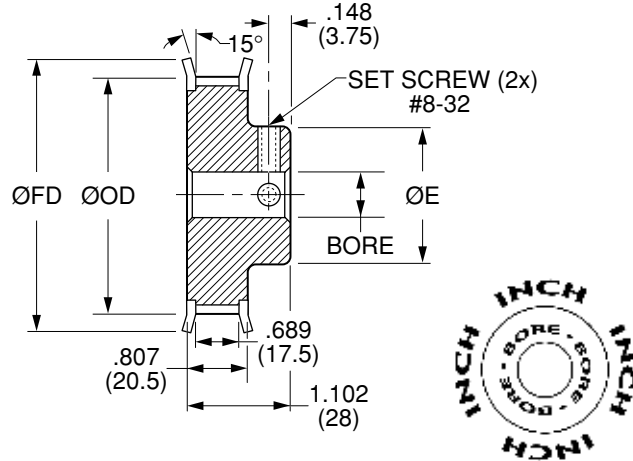
Quality  
Transmission  
Components

# HTD5 Timing Belt Pulleys

**METRIC Pitch 5 mm HTD (.1969")  
FOR BELTS UP TO 15 mm OR .591" WIDE**



**MATERIAL:** AISI 1045 Steel  
**FINISH:** Black Oxide



**NOTE:** Dimensions in ( ) are in mm.

Catalog Number	No. of Teeth	Bore	Pitch Diameter	Outside Diameter ØOD	Hub Diameter ØE	Flange Diameter ØFD
QPEHTD5S15024F08 QPEHTD5S15024F10	24	.2500 (6.35) .3125 (7.94)	1.504 (38.2)	1.459 (37.05)	1.063 (27)	1.654 (42)
QPEHTD5S15025F08 QPEHTD5S15025F10	25	.2500 (6.35) .3125 (7.94)	1.566 (39.79)	1.521 (38.65)	1.181 (30)	1.732 (44)
QPEHTD5S15026F08 QPEHTD5S15026F10	26	.2500 (6.35) .3125 (7.94)	1.629 (41.38)	1.584 (40.24)	1.181 (30)	1.732 (44)
QPEHTD5S15028F08 QPEHTD5S15028F10	28	.2500 (6.35) .3125 (7.94)	1.754 (44.56)	1.709 (43.42)	1.220 (31)	1.890 (48)
QPEHTD5S15030F08 QPEHTD5S15030F10	30	.2500 (6.35) .3125 (7.94)	1.880 (47.75)	1.835 (46.6)	1.378 (35)	2.008 (51)
QPEHTD5S15032F08 QPEHTD5S15032F10	32	.2500 (6.35) .3125 (7.94)	2.005 (50.93)	1.960 (49.79)	1.496 (38)	2.126 (54)
QPEHTD5S15034F08 QPEHTD5S15034F10	34	.2500 (6.35) .3125 (7.94)	2.130 (54.11)	2.085 (52.97)	1.496 (38)	2.126 (54)
QPEHTD5S15035F08 QPEHTD5S15035F10	35	.2500 (6.35) .3125 (7.94)	2.193 (55.7)	2.148 (54.56)	1.496 (38)	2.244 (57)
QPEHTD5S15036F10 QPEHTD5S15036F12	36	.3125 (7.94) .3750 (9.53)	2.256 (57.3)	2.211 (56.15)	1.496 (38)	2.362 (60)
QPEHTD5S15038F10 QPEHTD5S15038F12	38	.3125 (7.94) .3750 (9.53)	2.381 (60.48)	2.336 (59.34)	1.496 (38)	2.756 (70)
QPEHTD5S15040F10 QPEHTD5S15040F12	40	.3125 (7.94) .3750 (9.53)	2.506 (63.66)	2.461 (62.52)	1.496 (38)	2.756 (70)

**Bore Tolerance:** +.0015 (+0.038)  
+.0005 (+0.012)

Larger number of teeth on the next page

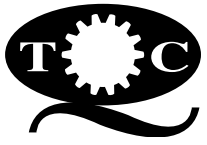
**O.D. Tolerance:** 24 to 32 teeth +.003 (+0.08)  
-.000 (0)  
34 to 40 teeth +.004 (+0.10)  
-.000 (0)

www.econobelt.com



Quality Transmission Components

125 Railroad Avenue, Garden City Park, NY 11040-5016  
Phone: (516) 437-6700 • Fax: (516) 328-3343  
e-mail: support@econobelt.com



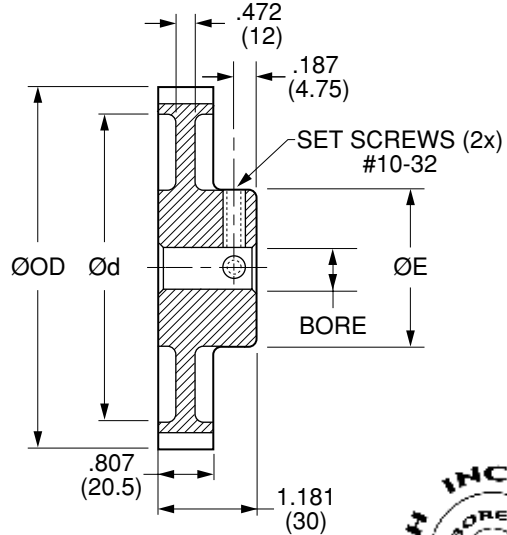
Quality  
Transmission  
Components

# HTD5 Timing Belt Pulleys

**METRIC Pitch 5 mm HTD (.1969")**  
**FOR BELTS UP TO 15 mm OR .591" WIDE**



**MATERIAL:** AISI 1045 Steel  
**FINISH:** Black Oxide



**NOTE:** Dimensions in ( ) are in mm.

Catalog Number	No. of Teeth	Bore	Pitch Diameter	Outside Diameter ØOD	Hub Diameter ØE	Ød
QPEHTD5S15044N12	44	.3750 (9.53)	2.757 (70.03)	2.712 (68.89)	1.496 (38)	2.362 (60)
QPEHTD5S15044N16		.5000 (12.7)				
QPEHTD5S15048N12	48	.3750 (9.53)	3.008 (76.39)	2.963 (75.25)	1.496 (38)	2.559 (65)
QPEHTD5S15048N16		.5000 (12.7)				
QPEHTD5S15050N12	50	.3750 (9.53)	3.133 (79.58)	3.088 (78.43)	1.496 (38)	2.756 (70)
QPEHTD5S15050N16		.5000 (12.7)				
QPEHTD5S15056N12	56	.3750 (9.53)	3.509 (89.13)	3.464 (87.98)	1.496 (38)	3.150 (80)
QPEHTD5S15056N16		.5000 (12.7)				
QPEHTD5S15060N12	60	.3750 (9.53)	3.760 (95.49)	3.715 (94.35)	1.969 (50)	3.346 (85)
QPEHTD5S15060N16		.5000 (12.7)				
QPEHTD5S15062N12	62	.3750 (9.53)	3.885 (98.68)	3.840 (97.53)	1.969 (50)	3.543 (90)
QPEHTD5S15062N16		.5000 (12.7)				
QPEHTD5S15072N12	72	.3750 (9.53)	4.511 (114.59)	4.466 (113.45)	1.969 (50)	4.134 (105)
QPEHTD5S15072N16		.5000 (12.7)				

**Bore Tolerance:** +.0015 (+0.038)  
+.0005 (+0.012)

**O.D. Tolerance:** 44 to 62 teeth +.004 (+0.10)  
-.000 (0)  
72 teeth +.005 (+0.13)  
-.000 (0)

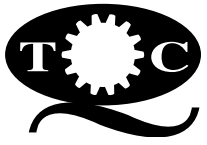
HTD5 TIMING BELT PULLEYS

[www.econobelt.com](http://www.econobelt.com)



Quality Transmission Components

125 Railroad Avenue, Garden City Park, NY 11040-5016  
Phone: (516) 437-6700 • Fax: (516) 328-3343  
e-mail: support@econobelt.com



Quality  
Transmission  
Components

# HTD5 Timing Belt Pulleys

**METRIC Pitch 5 mm HTD (.1969")  
FOR BELTS UP TO 15 mm OR .591" WIDE**

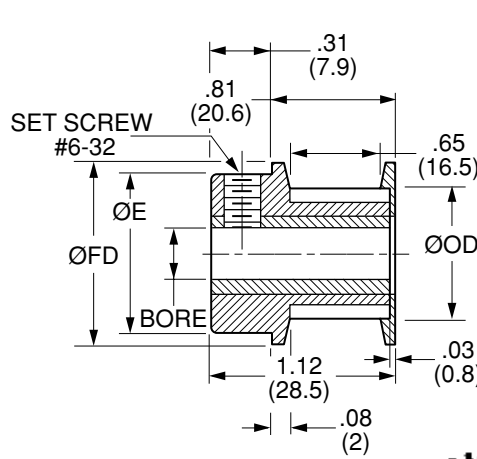


Fig. 1

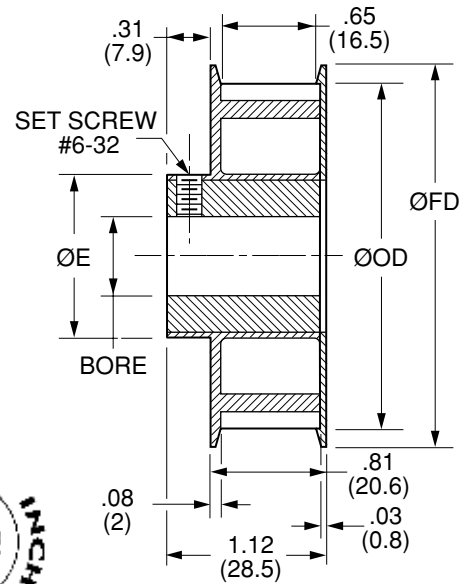


Fig. 2

**MATERIAL:**

Pulley - Nylon – Black, Fiberglass Reinforced  
Insert - Aluminum



NOTE: Dimensions in ( ) are mm.

Catalog Number	No. of Teeth	Fig. No.	Bore	P.D.	ØOD ±.005 (±0.13)	Hub Diameter ØE	Flange Diameter ØFD
QPEHTD5N15012F08	12	1	.2500 (6.35)	.752 (19.1)	.707 (17.96)	.75 (19.1)	.87 (22.1)
QPEHTD5N15014F08	14		.2500 (6.35)	.877 (22.28)	.832 (21.13)	.75 (19.1)	1.00 (25.4)
QPEHTD5N15015F08	15		.2500 (6.35)	.940 (23.88)	.895 (22.73)	.87 (22.1)	1.06 (26.9)
QPEHTD5N15016F08	16		.2500 (6.35)	1.003 (25.48)	.958 (24.33)	.87 (22.1)	1.09 (27.7)
QPEHTD5N15018F08	18		.2500 (6.35)	1.128 (28.65)	1.083 (27.51)	1.25 (31.8)	1.25 (31.8)
QPEHTD5N15018F10			.3125 (7.94)				
QPEHTD5N15019F08	19		.2500 (6.35)	1.191 (30.25)	1.146 (29.11)	1.25 (31.8)	1.32 (33.5)
QPEHTD5N15020F08	20		.2500 (6.35)	1.253 (31.83)	1.208 (30.68)	1.25 (31.8)	1.37 (34.8)
QPEHTD5N15020F10			.3125 (7.94)				
QPEHTD5N15020F12			.3750 (9.53)				
QPEHTD5N15022F08	22		.2500 (6.35)	1.379 (35.03)	1.334 (33.88)	1.25 (31.8)	1.50 (38.1)
QPEHTD5N15022F10			.3125 (7.94)				
QPEHTD5N15024F08	24	.2500 (6.35)	1.504 (38.2)	1.459 (37.06)	1.25 (31.8)	1.61 (40.9)	
QPEHTD5N15024F10		.3125 (7.94)					
QPEHTD5N15024F12		.3750 (9.53)					
QPEHTD5N15028F08	28	.2500 (6.35)	1.754 (44.55)	1.709 (43.41)	1.25 (31.8)	1.87 (47.5)	
QPEHTD5N15028F10		.3125 (7.94)					
QPEHTD5N15030F08	30	.2500 (6.35)	1.880 (47.75)	1.835 (46.61)	1.25 (31.8)	2.00 (50.8)	
QPEHTD5N15030F10		.3125 (7.94)					
QPEHTD5N15030F12		.3750 (9.53)					

Bore Tolerance: +.0015 (+0.038)  
+.0005 (+0.012)

Larger number of teeth on the next page

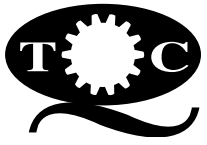
Other bore sizes available on special request.  
See page 1-160 thru 1-162

www.econobelt.com



Quality Transmission Components

125 Railroad Avenue, Garden City Park, NY 11040-5016  
Phone: (516) 437-6700 • Fax: (516) 328-3343  
e-mail: support@econobelt.com



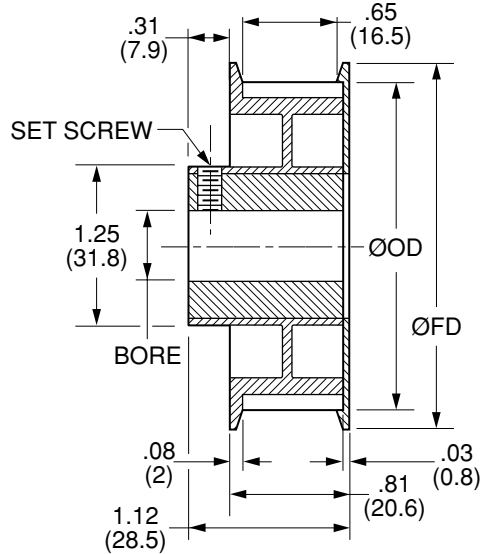
Quality  
Transmission  
Components

# HTD5 Timing Belt Pulleys

**METRIC Pitch 5 mm HTD (.1969")  
FOR BELTS UP TO 15 mm OR .591" WIDE**



**MATERIAL:**  
Pulley - Nylon – Black, Fiberglass Reinforced  
Insert - Aluminum



NOTE: Dimensions in ( ) are mm.

Catalog Number	No. of Teeth	Bore	P.D.	ØOD ±.005 (±0.13)	Flange Diameter ØFD	Set Screw
QPEHTD5N15032F10	32	.3125 (7.94)	2.005 (50.93)	1.960 (49.78)	2.12 (53.9)	#6-32
QPEHTD5N15032F12		.3750 (9.53)				
QPEHTD5N15036F10	36	.3125 (7.94)	2.256 (57.3)	2.211 (56.16)	2.41 (61.2)	#6-32
QPEHTD5N15036F12		.3750 (9.53)				
QPEHTD5N15036F16		.5000 (12.7)				
QPEHTD5N15038F10	38	.3125 (7.94)	2.381 (60.48)	2.336 (59.33)	2.54 (64.5)	#6-32
QPEHTD5N15038F12		.3750 (9.53)				
QPEHTD5N15040F10	40	.3125 (7.94)	2.506 (63.65)	2.461 (62.51)	2.71 (68.8)	#6-32
QPEHTD5N15040F12		.3750 (9.53)				
QPEHTD5N15040F16		.5000 (12.7)				
QPEHTD5N15042F10	42	.3125 (7.94)	2.632 (66.85)	2.587 (65.71)	2.79 (70.9)	#6-32
QPEHTD5N15042F12		.3750 (9.53)				
QPEHTD5N15044F10	44	.3125 (7.94)	2.757 (70.03)	2.712 (68.88)	2.91 (73.9)	#6-32
QPEHTD5N15044F12		.3750 (9.53)				
QPEHTD5N15048F10	48	.3125 (7.94)	3.008 (76.4)	2.963 (75.26)	3.13 (79.5)	#6-32
QPEHTD5N15048F12		.3750 (9.53)				
QPEHTD5N15048F16		.5000 (12.7)				
QPEHTD5N15050F10	50	.3125 (7.94)	3.133 (79.58)	3.088 (78.44)	3.26 (82.8)	#6-32
QPEHTD5N15050F12		.3750 (9.53)				
QPEHTD5N15050F16		.5000 (12.7)				

Bore Tolerance: +.0015 (+0.038)  
+.0005 (+0.012)

Larger number of teeth on the next page

Other bore sizes available on special request.

See page 1-163, 164

www.econobelt.com



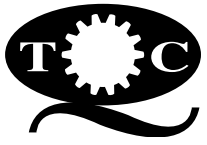
Quality Transmission Components

125 Railroad Avenue, Garden City Park, NY 11040-5016

Phone: (516) 437-6700 • Fax: (516) 328-3343

e-mail: support@econobelt.com

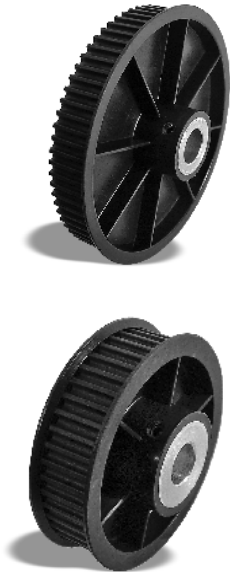
HTD5 TIMING BELT PULLEYS



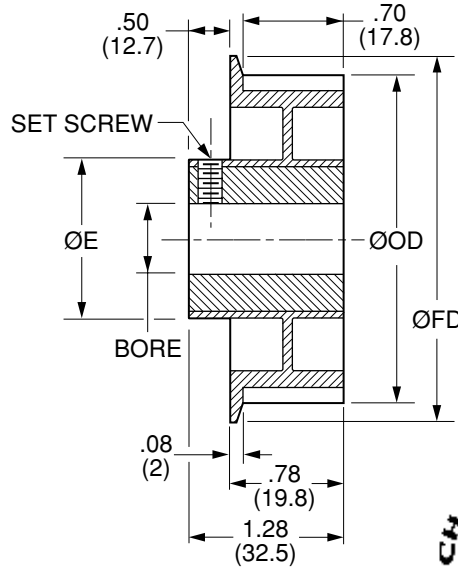
Quality  
Transmission  
Components

# HTD5 Timing Belt Pulleys

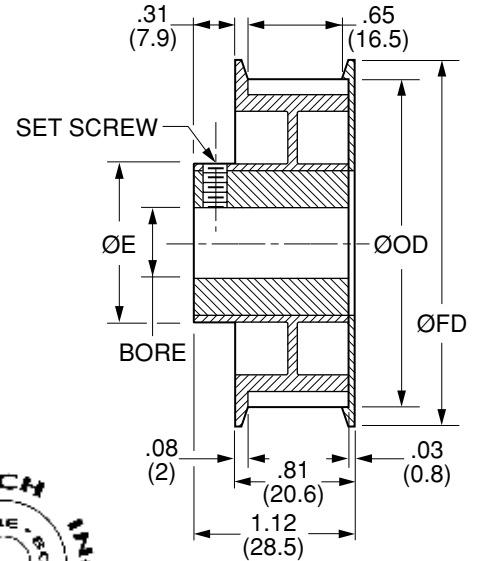
**METRIC Pitch 5 mm HTD (.1969")  
FOR BELTS UP TO 15 mm OR .591" WIDE**



**MATERIAL:**  
Pulley - Nylon – Black, Fiberglass Reinforced  
Insert - Aluminum



**Fig. 1  
SINGLE FLANGE**



**Fig. 2  
DOUBLE FLANGE**

**NOTE:** Dimensions in ( ) are mm.

Catalog Number	No. of Teeth	Fig. No.	Bore	P.D.	ØOD ±.005 (±0.13)	Hub Diameter ØE	Flange Diameter ØFD	Set Screw
QPEHTD5N15056F10	56	2	.3125 (7.94)	3.509 (89.13)	3.464 (87.99)	1.25 (31.8)	3.63 (92.2)	#6-32
QPEHTD5N15056F12			.3750 (9.53)					
QPEHTD5N15056F16			.5000 (12.7)					
QPEHTD5N15060F10	60	2	.3125 (7.94)	3.760 (95.5)	3.715 (94.36)	1.25 (31.8)	3.89 (98.8)	#6-32
QPEHTD5N15060F12			.3750 (9.53)					
QPEHTD5N15060F16			.5000 (12.7)					
QPEHTD5N15062F10	62	2	.3125 (7.94)	3.885 (98.68)	3.840 (97.54)	1.25 (31.8)	4.10 (104.1)	#6-32
QPEHTD5N15062F12			.3750 (9.53)					
QPEHTD5N15064F10	64	2	.3125 (7.94)	4.010 (101.85)	3.965 (100.71)	1.25 (31.8)	4.13 (104.9)	#6-32
QPEHTD5N15064F12			.3750 (9.53)					
QPEHTD5N15064F16			.5000 (12.7)					
QPEHTD5N15072S12	72	1	.3750 (9.53)	4.511 (114.58)	4.466 (113.44)	1.25 (31.8)	4.67 (118.6)	#6-32
QPEHTD5N15080S12	80	1	.3750 (9.53)	5.013 (127.33)	4.968 (126.19)	1.81 (46)	5.19 (131.8)	#6-32
QPEHTD5N15090S16	90	1	.5000 (12.7)	5.639 (143.23)	5.594 (142.09)	2.00 (50.8)	5.81 (147.6)	#10-24

**Bore Tolerance:** +.0015 (+0.038)  
+.0005 (+0.012)

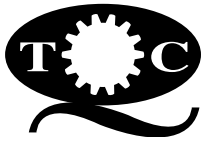
Other bore sizes available on special request.  
See page 1-165 & 1-166

www.econobelt.com



Quality Transmission Components

125 Railroad Avenue, Garden City Park, NY 11040-5016  
Phone: (516) 437-6700 • Fax: (516) 328-3343  
e-mail: support@econobelt.com



Quality  
Transmission  
Components

# HTD5 Timing Belt Pulleys

METRIC Pitch 5 mm HTD (.1969")  
FOR BELTS UP TO 15 mm OR .591" WIDE

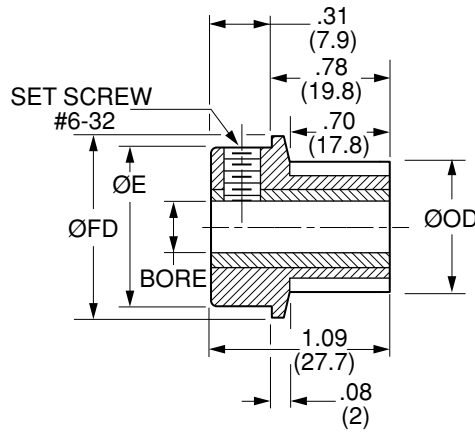


Fig. 1  
SINGLE FLANGE

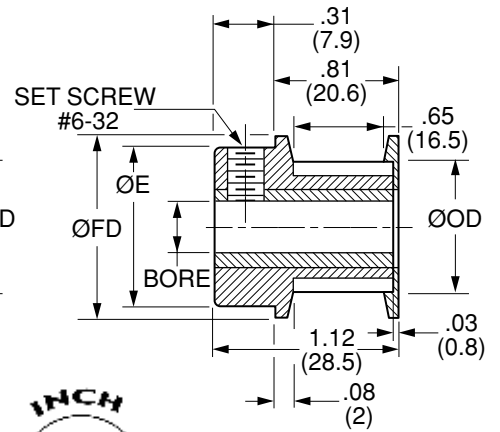


Fig. 2  
DOUBLE FLANGE



**MATERIAL:**  
Pulley - Nylon – Black, Fiberglass Reinforced  
Insert - Aluminum

These bore sizes available on special request

NOTE: Dimensions in ( ) are mm.

Catalog Number	No. of Teeth	Fig. No.	Bore	P.D.	ØOD ±.005 (±0.13)	Hub Dia. ØE	Flange Dia. ØFD
QPEHTD5N15012S06	12	1	.1875 (4.76)	.752 (19.1)	.707 (17.96)	.75 (19.1)	.87 (22.1)
QPEHTD5N15012F06		2	.1875 (4.76)				
QPEHTD5N15012S08		1	.2500 (6.35)				
QPEHTD5N15014S06	14	1	.1875 (4.76)	.877 (22.28)	.832 (21.13)	.75 (19.1)	1.00 (25.4)
QPEHTD5N15014F06		2	.1875 (4.76)				
QPEHTD5N15014S08		1	.2500 (6.35)				
QPEHTD5N15015S08	15	1	.2500 (6.35)	.940 (23.88)	.895 (22.73)	.87 (22.1)	1.06 (26.9)
QPEHTD5N15015S10		1	.3125 (7.94)				
QPEHTD5N15015F10		2	.3125 (7.94)				
QPEHTD5N15016S08	16	1	.2500 (6.35)	1.003 (25.48)	.958 (24.33)	.87 (22.1)	1.09 (27.7)
QPEHTD5N15016S10		1	.3125 (7.94)				
QPEHTD5N15016F10		2	.3125 (7.94)				
QPEHTD5N15018S08	18	1	.2500 (6.35)	1.128 (28.65)	1.083 (27.51)	1.25 (31.8)	1.25 (31.8)
QPEHTD5N15018S10		1	.3125 (7.94)				
QPEHTD5N15018S12		1	.3750 (9.53)				
QPEHTD5N15018F12		2	.3750 (9.53)				
QPEHTD5N15019S08	19	1	.2500 (6.35)	1.191 (30.25)	1.146 (29.11)	1.25 (31.8)	1.32 (33.5)
QPEHTD5N15019S10		1	.3125 (7.94)				
QPEHTD5N15019F10		2	.3125 (7.94)				

Bore Tolerance:  $+.0015 (+0.038)$   
 $+.0005 (+0.012)$

Larger number of teeth on the next page

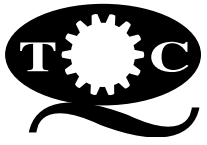
HTD5 TIMING BELT PULLEYS

www.econobelt.com



Quality Transmission Components

125 Railroad Avenue, Garden City Park, NY 11040-5016  
Phone: (516) 437-6700 • Fax: (516) 328-3343  
e-mail: support@econobelt.com



Quality  
Transmission  
Components

# HTD5 Timing Belt Pulleys

METRIC Pitch 5 mm HTD (.1969")  
FOR BELTS UP TO 15 mm OR .591" WIDE

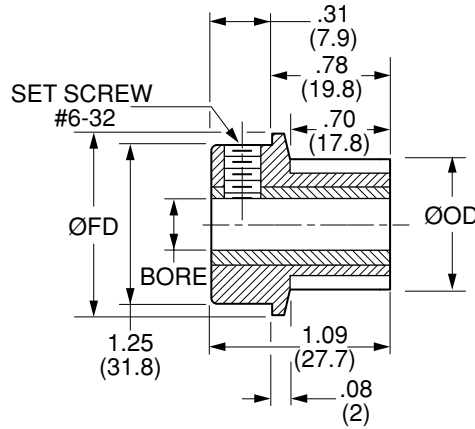


Fig. 1

SINGLE FLANGE

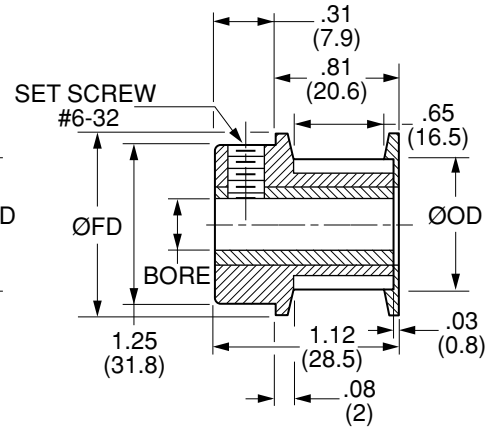


Fig. 2

DOUBLE FLANGE



**MATERIAL:**  
Pulley - Nylon – Black, Fiberglass Reinforced  
Insert - Aluminum

These bore sizes available on special request

NOTE: Dimensions in ( ) are mm.

Catalog Number	No. of Teeth	Fig. No.	Bore	P.D.	ØOD ±.005 (±0.13)	Flange Dia. ØFD
QPEHTD5N15020S08	20	1	.2500 (6.35)	1.253 (31.83)	1.208 (30.68)	1.37 (34.8)
QPEHTD5N15020S10			.3125 (7.94)			
QPEHTD5N15020S12			.3750 (9.53)			
QPEHTD5N15022S08	22	1	.2500 (6.35)	1.379 (35.03)	1.334 (33.88)	1.50 (38.1)
QPEHTD5N15022S10			.3125 (7.94)			
QPEHTD5N15022S12			.3750 (9.53)			
QPEHTD5N15022F12		2	.3750 (9.53)			
QPEHTD5N15024S08	24	1	.2500 (6.35)	1.504 (38.2)	1.459 (37.06)	1.61 (40.9)
QPEHTD5N15024S10			.3125 (7.94)			
QPEHTD5N15024S12			.3750 (9.53)			

Bore Tolerance:  $\begin{matrix} +.0015 & (+0.038) \\ +.0005 & (+0.012) \end{matrix}$

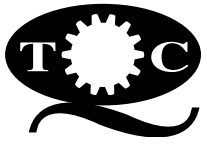
Larger number of teeth on the next page

www.econobelt.com



Quality Transmission Components

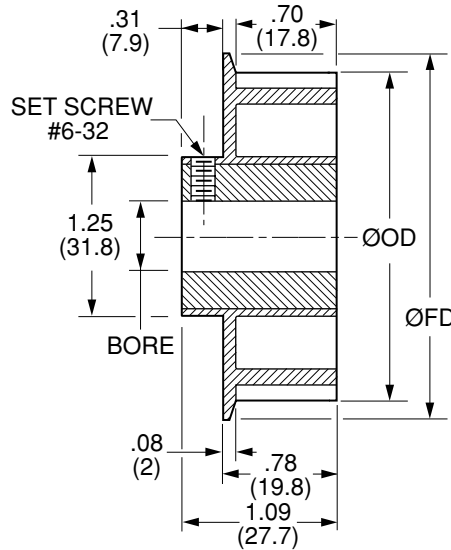
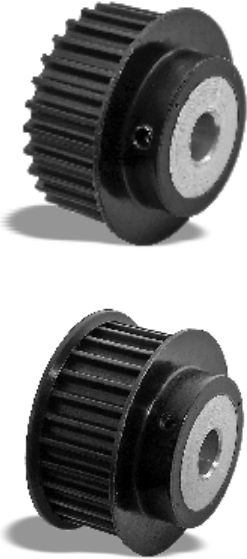
125 Railroad Avenue, Garden City Park, NY 11040-5016  
Phone: (516) 437-6700 • Fax: (516) 328-3343  
e-mail: support@econobelt.com



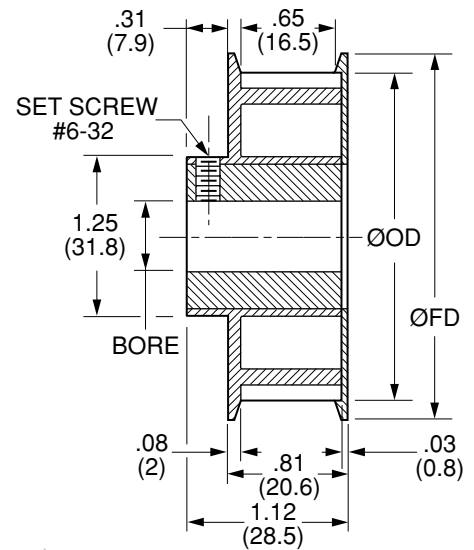
Quality  
Transmission  
Components

# HTD5 Timing Belt Pulleys

**METRIC Pitch 5 mm HTD (.1969")**  
**FOR BELTS UP TO 15 mm OR .591" WIDE**



**Fig. 1**  
**SINGLE FLANGE**



**Fig. 2**  
**DOUBLE FLANGE**



**MATERIAL:**  
**Pulley** - Nylon – Black, Fiberglass Reinforced  
**Insert** - Aluminum

These bore sizes available on special request

NOTE: Dimensions in ( ) are mm.

Catalog Number	No. of Teeth	Fig. No.	Bore	P.D.	ØOD ±.005 (±0.13)	Flange Dia. ØFD
QPEHTD5N15028S08	28	1	.2500 (6.35)	1.754 (44.55)	1.709 (43.41)	1.87 (47.5)
QPEHTD5N15028S10		1	.3125 (7.94)			
QPEHTD5N15028S12		1	.3750 (9.53)			
QPEHTD5N15028F12		2	.2500 (6.35)			
QPEHTD5N15030S08	30	1	.2500 (6.35)	1.880 (47.75)	1.835 (46.61)	2.00 (50.8)
QPEHTD5N15030S10			.3125 (7.94)			
QPEHTD5N15030S12			.3750 (9.53)			

**Bore Tolerance:** +.0015 (+0.038)  
+.0005 (+0.012)

Larger number of teeth on the next page

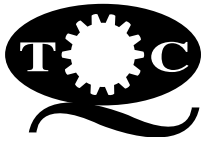
HTD5 TIMING BELT PULLEYS

[www.econobelt.com](http://www.econobelt.com)



Quality Transmission Components

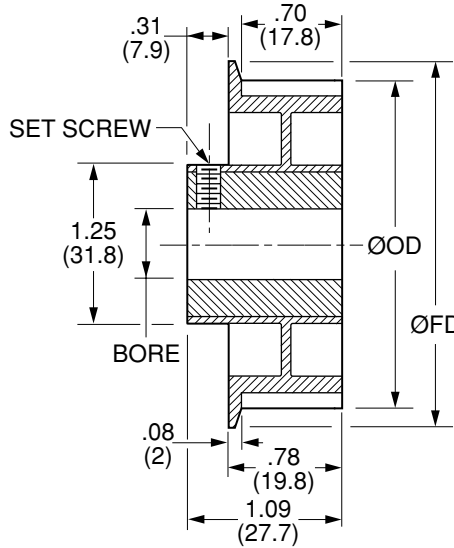
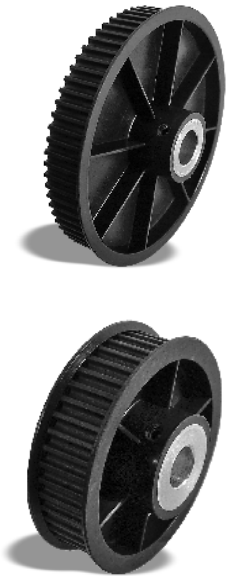
125 Railroad Avenue, Garden City Park, NY 11040-5016  
Phone: (516) 437-6700 • Fax: (516) 328-3343  
e-mail: support@econobelt.com



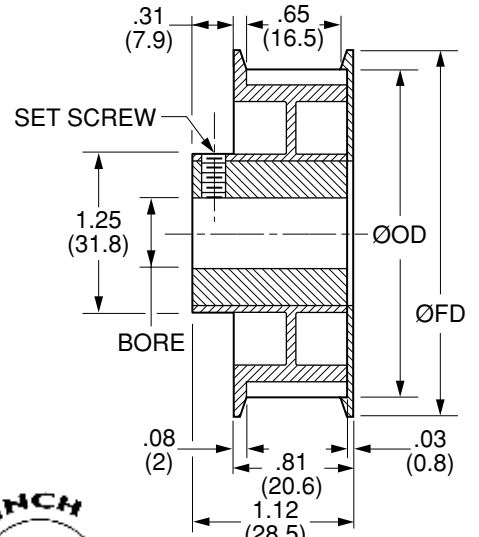
Quality  
Transmission  
Components

# HTD5 Timing Belt Pulleys

**METRIC Pitch 5 mm HTD (.1969")  
FOR BELTS UP TO 15 mm OR .591" WIDE**



**Fig. 1  
SINGLE FLANGE**



**Fig. 2  
DOUBLE FLANGE**



**MATERIAL:**  
Pulley - Nylon – Black, Fiberglass Reinforced  
Insert - Aluminum

These bore sizes available on special request

NOTE: Dimensions in ( ) are mm.

Catalog Number	No. of Teeth	Fig. No.	Bore	P.D.	ØOD ±.005 (±0.13)	Flange Dia. ØFD	Set Screw
QPEHTD5N15032S10	32	1	.3125 (7.94)	2.005 (50.93)	1.960 (49.78)	2.12 (53.9)	#6-32
QPEHTD5N15032S12			.3750 (9.53)				
QPEHTD5N15036S10	36	1	.3125 (7.94)	2.256 (57.3)	2.211 (56.16)	2.41 (61.2)	#6-32
QPEHTD5N15036S12			.3750 (9.53)				#6-32
QPEHTD5N15036S16			.5000 (12.7)				#10-24
QPEHTD5N15038S10	38	1	.3125 (7.94)	2.381 (60.48)	2.336 (59.33)	2.54 (64.5)	#6-32
QPEHTD5N15038S12		1	.3750 (9.53)				#6-32
QPEHTD5N15038S16		1	.5000 (12.7)				#10-24
QPEHTD5N15038F16		2	.5000 (12.7)				#10-24
QPEHTD5N15040S10	40	1	.3125 (7.94)	2.506 (63.65)	2.461 (62.51)	2.71 (68.8)	#6-32
QPEHTD5N15040S12			.3750 (9.53)				#6-32
QPEHTD5N15040S16			.5000 (12.7)				#10-24
QPEHTD5N15042S10	42	1	.3125 (7.94)	2.632 (66.85)	2.587 (65.71)	2.79 (70.9)	#6-32
QPEHTD5N15042S12		1	.3750 (9.53)				#6-32
QPEHTD5N15042S16		1	.5000 (12.7)				#10-24
QPEHTD5N15042F16		2	.5000 (12.7)				#10-24
QPEHTD5N15044S10	44	1	.3125 (7.94)	2.757 (70.03)	2.712 (68.88)	2.91 (73.9)	#6-32
QPEHTD5N15044S12		1	.3750 (9.53)				#6-32
QPEHTD5N15044S16		1	.5000 (12.7)				#10-24
QPEHTD5N15044F16		2	.5000 (12.7)				#10-24

Bore Tolerance: +.0015 (+0.038)  
+.0005 (+0.012)

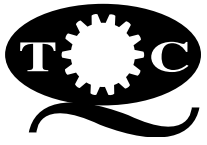
Larger number of teeth on the next page

www.econobelt.com



Quality Transmission Components

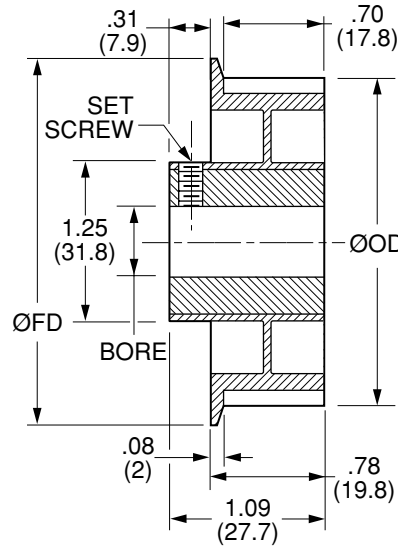
125 Railroad Avenue, Garden City Park, NY 11040-5016  
Phone: (516) 437-6700 • Fax: (516) 328-3343  
e-mail: support@econobelt.com



Quality  
Transmission  
Components

# HTD5 Timing Belt Pulleys

**METRIC Pitch 5 mm HTD (.1969")**  
**FOR BELTS UP TO 15 mm OR .591" WIDE**



**MATERIAL:**  
**Pulley** - Nylon – Black, Fiberglass Reinforced  
**Insert** - Aluminum

These bore sizes available on special request

**NOTE:** Dimensions in ( ) are mm.

Catalog Number	No. of Teeth	Bore	P.D.	ØOD ±.005 (±0.13)	Flange Diameter ØFD	Set Screw
QPEHTD5N15048S10	48	.3125 (7.94)	3.008 (76.4)	2.963 (75.26)	3.13 (79.5)	#6-32
QPEHTD5N15048S12		.3750 (9.53)				#6-32
QPEHTD5N15048S16		.5000 (12.7)				#10-24
QPEHTD5N15050S10	50	.3125 (7.94)	3.133 (79.58)	3.088 (78.44)	3.26 (82.8)	#6-32
QPEHTD5N15050S12		.3750 (9.53)				#6-32
QPEHTD5N15050S16		.5000 (12.7)				#10-24
QPEHTD5N15056S10	56	.3125 (7.94)	3.509 (89.13)	3.464 (87.99)	3.63 (92.2)	#6-32
QPEHTD5N15056S12		.3750 (9.53)				#6-32
QPEHTD5N15056S16		.5000 (12.7)				#10-24
QPEHTD5N15060S10	60	.3125 (7.94)	3.760 (95.5)	3.715 (94.36)	3.89 (98.8)	#6-32
QPEHTD5N15060S12		.3750 (9.53)				#6-32
QPEHTD5N15060S16		.5000 (12.7)				#10-24

**Bore Tolerance:** +.0015 (+0.038)  
+.0005 (+0.012)

Larger number of teeth on the next page

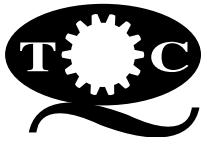
HTD5 TIMING BELT PULLEYS

[www.econobelt.com](http://www.econobelt.com)



Quality Transmission Components

125 Railroad Avenue, Garden City Park, NY 11040-5016  
Phone: (516) 437-6700 • Fax: (516) 328-3343  
e-mail: support@econobelt.com



Quality  
Transmission  
Components

# HTD5 Timing Belt Pulleys

METRIC Pitch 5 mm HTD (.1969")  
FOR BELTS UP TO 15 mm OR .591" WIDE

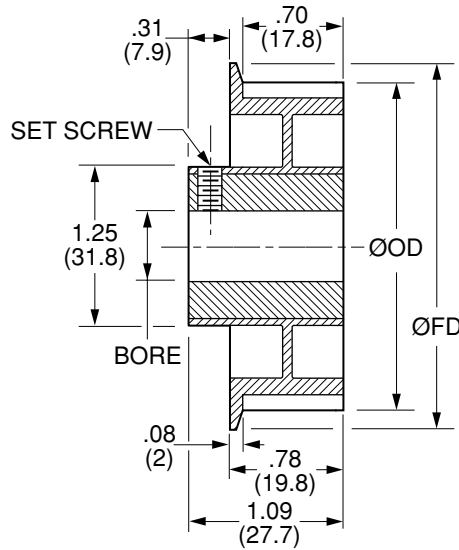
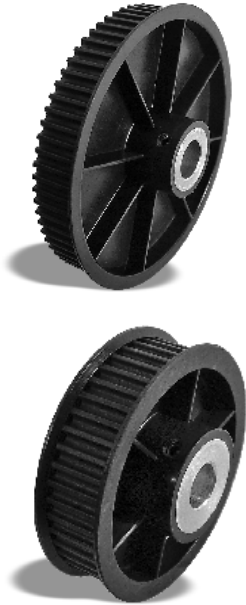


Fig. 1  
SINGLE FLANGE

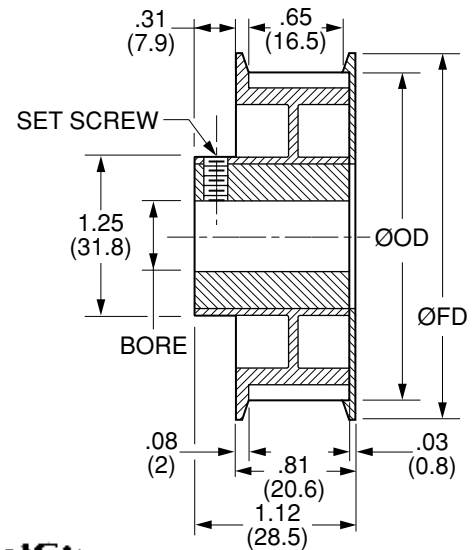


Fig. 2  
DOUBLE FLANGE



**MATERIAL:**  
Pulley - Nylon – Black, Fiberglass Reinforced  
Insert - Aluminum

These bore sizes available on special request

NOTE: Dimensions in ( ) are mm.

Catalog Number	No. of Teeth	Fig. No.	Bore	P.D.	ØOD ±.005 (±0.13)	Flange Diameter ØFD	Set Screw
QPEHTD5N15062S10	62	1	.3125 (7.94)	3.885 (98.68)	3.840 (97.54)	4.10 (104.1)	#6-32
QPEHTD5N15062S12		1	.3750 (9.53)				#6-32
QPEHTD5N15062S16		1	.5000 (12.7)				#10-24
QPEHTD5N15062F16		2	.5000 (12.7)				#10-24
QPEHTD5N15064S10	64	1	.3125 (7.94)	4.010 (101.85)	3.965 (100.71)	4.13 (104.9)	#6-32
QPEHTD5N15064S12			.3750 (9.53)				#6-32
QPEHTD5N15064S16			.5000 (12.7)				#10-24

Bore Tolerance: +.0015 (+0.038)  
+.0005 (+0.012)

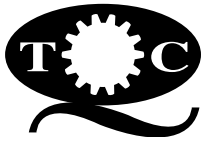
Larger number of teeth on the next page

www.econobelt.com



Quality Transmission Components

125 Railroad Avenue, Garden City Park, NY 11040-5016  
Phone: (516) 437-6700 • Fax: (516) 328-3343  
e-mail: support@econobelt.com



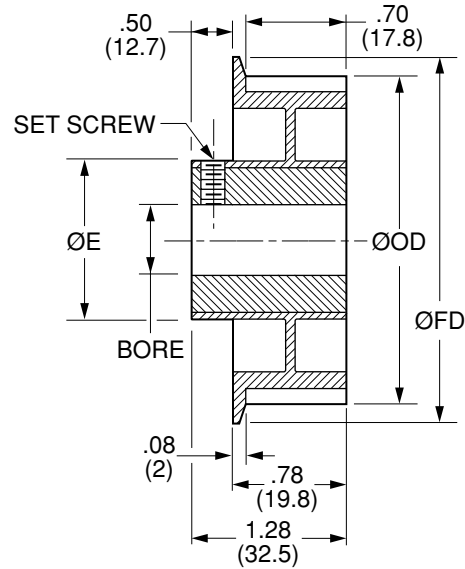
Quality  
Transmission  
Components

# HTD5 Timing Belt Pulleys

**METRIC Pitch 5 mm HTD (.1969")**  
**FOR BELTS UP TO 15 mm OR .591" WIDE**



**MATERIAL:**  
**Pulley** - Nylon – Black, Fiberglass Reinforced  
**Insert** - Aluminum



These bore sizes available on special request

**NOTE:** Dimensions in ( ) are mm.

Catalog Number	No. of Teeth	Bore	P.D.	ØOD ±.005 (±0.13)	Hub Diameter ØE	Flange Diameter ØFD	Set Screw
QPEHTD5N15072S10	72	.3125 (7.94)	4.511 (114.58)	4.466 (113.44)	1.25 (31.8)	4.67 (118.6)	#6-32
QPEHTD5N15072S16		.5000 (12.7)					
QPEHTD5N15080S16	80	.5000 (12.7)	5.013 (127.33)	4.968 (126.19)	1.81 (46)	5.19 (131.8)	#10-24
QPEHTD5N15090S20	90	.6250 (15.88)	5.639 (143.23)	5.594 (142.09)	2.00 (50.8)	5.81 (147.6)	1/4-20

**Bore Tolerance:** +.0015 (+0.038)  
+.0005 (+0.012)

HTD5 TIMING BELT PULLEYS

[www.econobelt.com](http://www.econobelt.com)



Quality Transmission Components

125 Railroad Avenue, Garden City Park, NY 11040-5016  
Phone: (516) 437-6700 • Fax: (516) 328-3343  
e-mail: [support@econobelt.com](mailto:support@econobelt.com)