

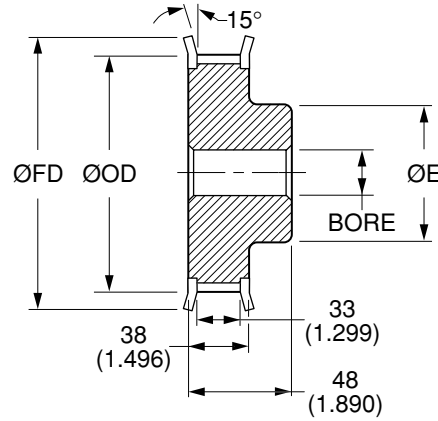
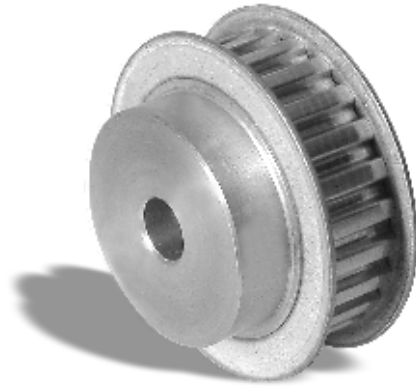


Quality
Transmission
Components

HTD8 Timing Belt Pulleys

**METRIC Pitch 8 mm HTD (.3150")
FOR BELTS UP TO 30 mm OR 1.181" WIDE**

HTD8 TIMING BELT PULLEYS



MATERIAL: 2024-T4 or 2024-T351
Aluminum Alloy
FINISH: Clear Anodize



NOTE: Dimensions in () are in inches.

Catalog Number	No. of Teeth	Bore F8	Pitch Diameter	Outside Diameter ØOD	Hub Diameter ØE	Flange Diameter ØFD
QPMHTD8A30022F12	22					
QPMHTD8A30024F12	24	12 (.4724)	56.02 (2.206)	54.65 (2.152)	43 (1.693)	60 (2.362)
QPMHTD8A30026F12	26		61.12 (2.406)	59.74 (2.352)	45 (1.772)	66 (2.598)
QPMHTD8A30028F16	28	16 (.6299)	66.21 (2.607)	64.84 (2.553)	50 (1.969)	70 (2.756)
QPMHTD8A30030F16	30		71.3 (2.807)	69.93 (2.753)	55 (2.165)	75 (2.953)
QPMHTD8A30032F16	32	16 (.6299)	76.39 (3.008)	75.02 (2.954)	60 (2.362)	83 (3.268)
QPMHTD8A30034F16	34		81.49 (3.208)	80.12 (3.154)	70 (2.756)	87 (3.425)
QPMHTD8A30036F16	36	16 (.6299)	86.58 (3.409)	85.21 (3.355)	75 (2.953)	91 (3.583)
QPMHTD8A30038F16	38		91.67 (3.609)	90.3 (3.555)	75 (2.953)	97 (3.819)
QPMHTD8A30040F16	40	16 (.6299)	96.77 (3.810)	95.39 (3.756)	75 (2.953)	102 (4.016)
QPMHTD8A30044F16	44		101.86 (4.010)	100.49 (3.956)	75 (2.953)	112 (4.409)
QPMHTD8A30048F16	48	16 (.6299)	112.05 (4.411)	110.67 (4.357)	75 (2.953)	120 (4.724)
			122.23 (4.812)	120.86 (4.758)		128 (5.039)

Bore Tolerance (F8): 12 & 16 mm $+0.043 \begin{pmatrix} +.0017 \\ +0.016 \end{pmatrix} \begin{pmatrix} +.0017 \\ +.0006 \end{pmatrix}$

Larger number of teeth on the next page

O.D. Tolerance: 22 to 40 teeth $+0.10 \begin{pmatrix} +.004 \\ 0 \end{pmatrix} \begin{pmatrix} +.004 \\ -.000 \end{pmatrix}$
44 & 48 teeth $+0.13 \begin{pmatrix} +.005 \\ 0 \end{pmatrix} \begin{pmatrix} +.005 \\ -.000 \end{pmatrix}$

www.econobelt.com



Quality Transmission Components

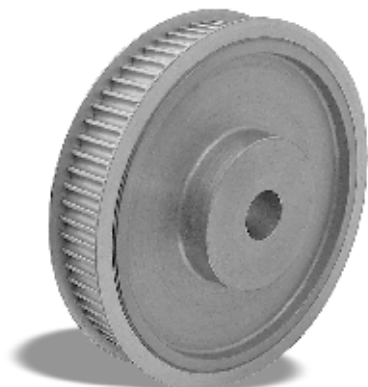
125 Railroad Avenue, Garden City Park, NY 11040-5016
Phone: (516) 437-6700 • Fax: (516) 328-3343
e-mail: support@econobelt.com



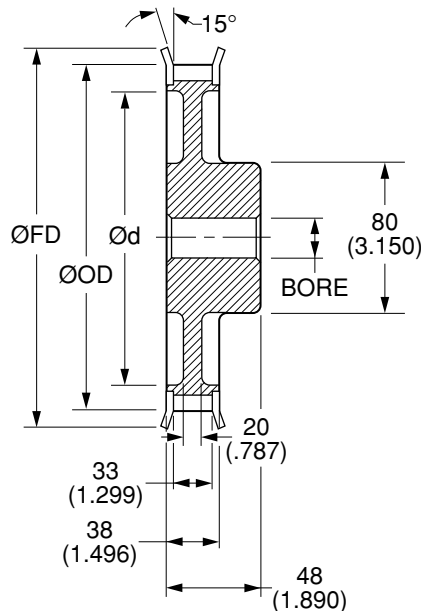
Quality
Transmission
Components

HTD8 Timing Belt Pulleys

**METRIC Pitch 8 mm HTD (.3150")
FOR BELTS UP TO 30 mm OR 1.181" WIDE**



MATERIAL: 2024-T4 or 2024-T351
Aluminum Alloy
FINISH: Clear Anodize



NOTE: Dimensions in () are in inches.

Catalog Number	No. of Teeth	Bore F8	Pitch Diameter	Outside Diameter ØOD	Flange Diameter ØFD	Ød
QPMHTD8A30056F16	56	16 (.6299)	142.6 (5.614)	141.23 (5.560)	150 (5.906)	117 (4.606)
QPMHTD8A30064F16	64		162.97 (6.416)	161.6 (6.362)	168 (6.614)	138 (5.433)
QPMHTD8A30072F16	72		183.35 (7.218)	181.97 (7.164)	192 (7.559)	158 (6.220)

Bore Tolerance (F8): 16 mm +0.043 (+.0017)
+0.016 (+.0006)

Larger number of teeth on the next page

O.D. Tolerance: 56 & 64 teeth +0.13 (+.005)
0 (-.000)
72 teeth +0.15 (+.006)
0 (-.000)





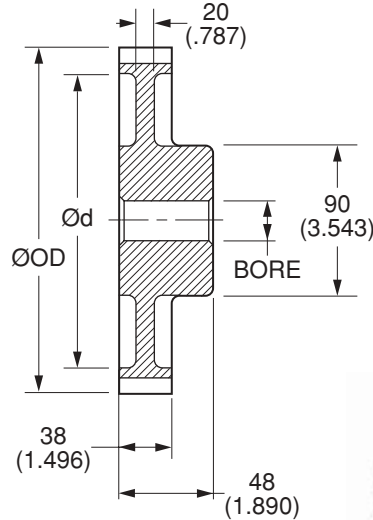
Quality
Transmission
Components

HTD8 Timing Belt Pulleys

METRIC Pitch 8 mm HTD (.3150")
FOR BELTS UP TO 30 mm OR 1.181" WIDE



MATERIAL: 2024-T4 or 2024-T351
Aluminum Alloy
FINISH: Clear Anodize



NOTE: Dimensions in () are in inches.

Catalog Number	No. of Teeth	Bore F8	Pitch Diameter	Outside Diameter ØOD	Ød
QPMHTD8A30080N16	80	16 (.6299)	203.72 (8.020)	202.35 (7.966)	180 (7.087)
QPMHTD8A30090N16	90		229.18 (9.023)	227.81 (8.969)	204 (8.031)

Bore Tolerance (F8): 16 mm $+0.043$ $\left(\begin{matrix} +.0017 \\ +0.016 \end{matrix} \right)$ $\left(\begin{matrix} +.0006 \end{matrix} \right)$

O.D. Tolerance: 80 & 90 teeth $+0.15$ $\left(\begin{matrix} +.006 \\ 0 \end{matrix} \right)$ $\left(\begin{matrix} -.000 \end{matrix} \right)$

www.econobelt.com



Quality Transmission Components

125 Railroad Avenue, Garden City Park, NY 11040-5016
Phone: (516) 437-6700 • Fax: (516) 328-3343
e-mail: support@econobelt.com



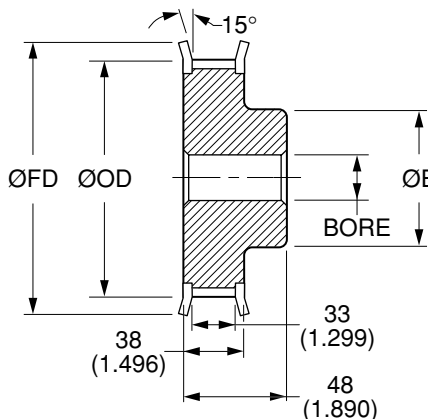
Quality
Transmission
Components

HTD8 Timing Belt Pulleys

**METRIC Pitch 8 mm HTD (.3150")
FOR BELTS UP TO 30 mm OR 1.181" WIDE**



MATERIAL: AISI 1045 Steel
FINISH: Black Oxide



NOTE: Dimensions in () are in inches.

Catalog Number	No. of Teeth	Bore F8	Pitch Diameter	Outside Diameter ØOD	Hub Diameter ØE	Flange Diameter ØFD
QPMHTD8S30022F12	22	12 (.4724)	56.02 (2.206)	54.65 (2.152)	43 (1.693)	60 (2.362)
QPMHTD8S30024F12	24	12 (.4724)	61.12 (2.406)	59.74 (2.352)	45 (1.772)	66 (2.598)
QPMHTD8S30026F12	26	12 (.4724)	66.21 (2.607)	64.84 (2.553)	50 (1.969)	70 (2.756)
QPMHTD8S30028F16	28	16 (.6299)	71.3 (2.807)	69.93 (2.753)	55 (2.165)	75 (2.953)
QPMHTD8S30030F16	30	16 (.6299)	76.39 (3.008)	75.02 (2.954)	60 (2.362)	83 (3.268)
QPMHTD8S30032F16	32	16 (.6299)	81.49 (3.208)	80.12 (3.154)	60 (2.362)	87 (3.425)
QPMHTD8S30034F16	34	16 (.6299)	86.58 (3.409)	85.21 (3.355)	70 (2.756)	91 (3.583)
QPMHTD8S30036F16	36	16 (.6299)	91.67 (3.609)	90.3 (3.555)	75 (2.953)	97 (3.819)
QPMHTD8S30038F16	38	16 (.6299)	96.77 (3.810)	95.39 (3.756)	75 (2.953)	102 (4.016)
QPMHTD8S30040F16	40	16 (.6299)	101.86 (4.010)	100.49 (3.956)	75 (2.953)	112 (4.409)
QPMHTD8S30044F16	44	16 (.6299)	112.05 (4.411)	110.67 (4.357)	75 (2.953)	120 (4.724)
QPMHTD8S30048F16	48	16 (.6299)	122.23 (4.812)	120.86 (4.758)	75 (2.953)	128 (5.039)

Bore Tolerance (F8): 12 & 16 mm $+0.043 \begin{pmatrix} +.0017 \\ +0.016 \end{pmatrix} \begin{pmatrix} +.0017 \\ +.0006 \end{pmatrix}$

Larger number of teeth on the next page

O.D. Tolerance: 22 to 40 teeth $+0.10 \begin{pmatrix} +.004 \\ 0 \end{pmatrix} \begin{pmatrix} +.004 \\ -.000 \end{pmatrix}$
 44 & 48 teeth $+0.13 \begin{pmatrix} +.005 \\ 0 \end{pmatrix} \begin{pmatrix} +.005 \\ -.000 \end{pmatrix}$





Quality
Transmission
Components

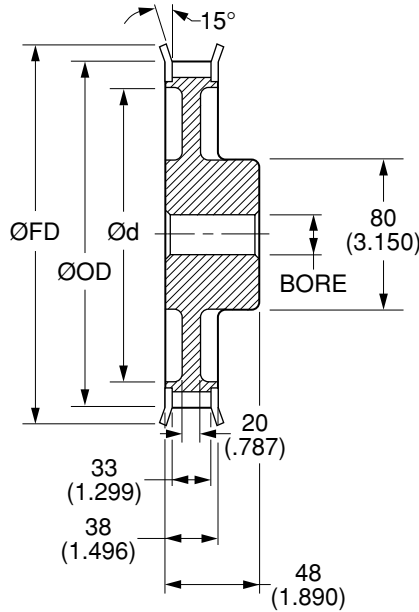
HTD8 Timing Belt Pulleys

**METRIC Pitch 8 mm HTD (.3150")
FOR BELTS UP TO 30 mm OR 1.181" WIDE**

HTD8 TIMING BELT PULLEYS



MATERIAL: AISI 1045 Steel
FINISH: Black Oxide



NOTE: Dimensions in () are in inches.

Catalog Number	No. of Teeth	Bore F8	Pitch Diameter	Outside Diameter ØOD	Flange Diameter ØFD	Ød
QPMHTD8S30056F16	56		142.6 (5.614)	141.23 (5.560)	150 (5.906)	117 (4.606)
QPMHTD8S30064F16	64	16 (.6299)	162.97 (6.416)	161.6 (6.362)	168 (6.614)	138 (5.433)
QPMHTD8S30072F16	72		183.35 (7.218)	181.97 (7.164)	192 (7.559)	158 (6.220)

Bore Tolerance (F8): 16 mm $+0.043 \begin{pmatrix} +.0017 \\ +0.016 \end{pmatrix} \begin{pmatrix} +.0006 \\ +.0006 \end{pmatrix}$

Larger number of teeth on the next page

O.D. Tolerance: 56 & 64 teeth $+0.13 \begin{pmatrix} +.005 \\ 0 \end{pmatrix} \begin{pmatrix} -.000 \\ -.000 \end{pmatrix}$
72 teeth $+0.15 \begin{pmatrix} +.006 \\ 0 \end{pmatrix} \begin{pmatrix} -.000 \\ -.000 \end{pmatrix}$

www.econobelt.com



Quality Transmission Components

125 Railroad Avenue, Garden City Park, NY 11040-5016
Phone: (516) 437-6700 • Fax: (516) 328-3343
e-mail: support@econobelt.com



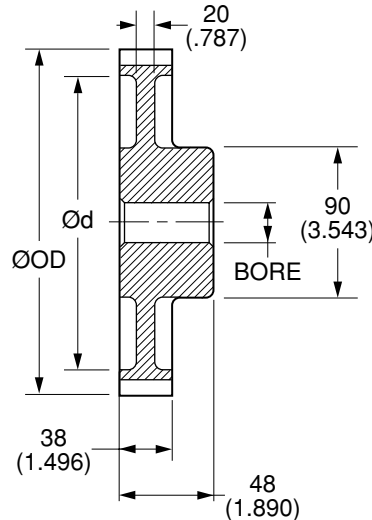
Quality
Transmission
Components

HTD8 Timing Belt Pulleys

**METRIC Pitch 8 mm HTD (.3150")
FOR BELTS UP TO 30 mm OR 1.181" WIDE**



MATERIAL: AISI 1045 Steel
FINISH: Black Oxide



NOTE: Dimensions in () are in inches.

Catalog Number	No. of Teeth	Bore F8	Pitch Diameter	Outside Diameter ØOD	Ød
QPMHTD8S30080N16	80	16 (.6299)	203.72 (8.020)	202.35 (7.966)	180 (7.087)
QPMHTD8S30090N16	90	16 (.6299)	229.18 (9.023)	227.81 (8.969)	204 (8.031)

Bore Tolerance (F8): 16 mm $+0.043 \begin{pmatrix} +.0017 \\ +0.016 \end{pmatrix} \begin{pmatrix} +.0017 \\ +.0006 \end{pmatrix}$

Larger number of teeth on the next page

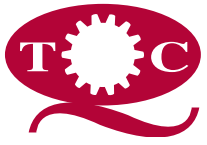
O.D. Tolerance: 80 & 90 teeth $+0.15 \begin{pmatrix} +.006 \\ 0 \end{pmatrix} \begin{pmatrix} +.006 \\ -.000 \end{pmatrix}$

www.econobelt.com



Quality Transmission Components

125 Railroad Avenue, Garden City Park, NY 11040-5016
Phone: (516) 437-6700 • Fax: (516) 328-3343
e-mail: support@econobelt.com



Quality
Transmission
Components

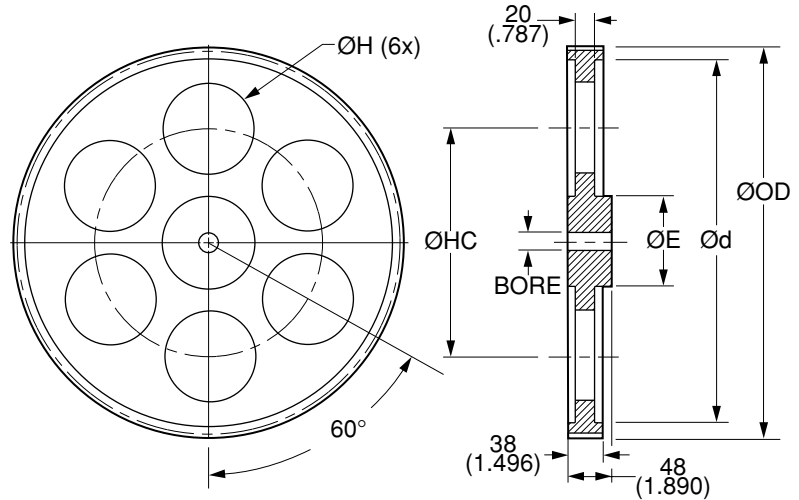
HTD8 Timing Belt Pulleys

METRIC Pitch 8 mm HTD (.3150")
FOR BELTS UP TO 30 mm OR 1.181" WIDE

HTD8 TIMING BELT PULLEYS



MATERIAL: AISI 1045 Steel
FINISH: Black Oxide



NOTE: Dimensions in () are in inches.

Catalog Number	No. of Teeth	Bore F8	Pitch Diameter	Outside Diameter ØOD	Hub Diameter ØE	Ød	ØHC	ØH
QPMHTD8S30112N16	112	16 (.6299)	285.21 (11.229)	283.83 (11.175)	90 (3.543)	260 (10.236)	175 (6.890)	60 (2.362)
QPMHTD8S30120N16	120		305.58 (12.031)	304.21 (11.977)		280 (11.024)	185 (7.283)	65 (2.559)
QPMHTD8S30144N20	144	20 (.7874)	366.69 (14.437)	365.32 (14.383)	90 (3.543)	341 (13.425)	216 (8.504)	75 (2.953)
QPMHTD8S30168N20	168		427.81 (16.843)	426.44 (16.789)	100 (3.937)	402 (15.827)	250 (9.843)	100 (3.937)
QPMHTD8S30192N20	192		488.92 (19.249)	487.55 (19.195)	100 (3.937)	463 (18.228)	282 (11.102)	110 (4.331)

Bore Tolerance (F8): 16 mm +0.043 (+.0017)
+0.016 (+.0006)
20 mm +0.053 (+.0021)
+0.020 (+.0008)

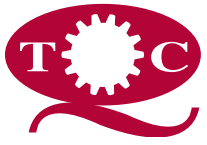
O.D. Tolerance: 112 & 120 teeth +0.15 (+.006)
0 (-.000)
144 to 192 teeth +0.18 (+.007)
0 (-.000)

www.econobelt.com



Quality Transmission Components

125 Railroad Avenue, Garden City Park, NY 11040-5016
Phone: (516) 437-6700 • Fax: (516) 328-3343
e-mail: support@econobelt.com



Quality
Transmission
Components

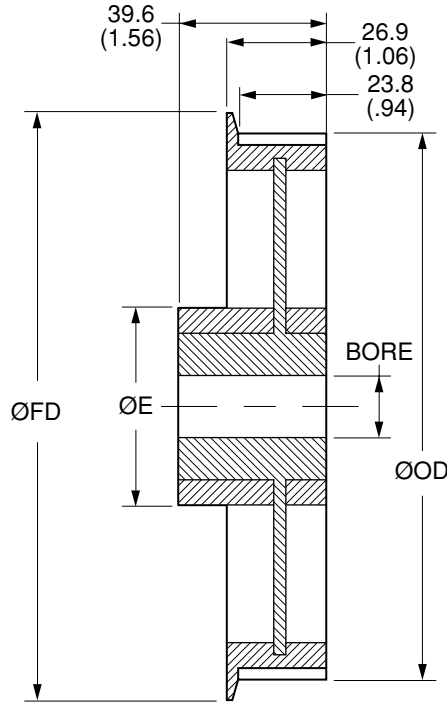
HTD8 Timing Belt Pulleys

**METRIC Pitch 8 mm HTD (.3150")
FOR BELTS UP TO 20 mm OR .787" WIDE**

HTD8 TIMING BELT PULLEYS



MATERIAL:
Pulley - Nylon – Black, Fiberglass Reinforced
Insert - Aluminum



NOTE: Dimensions in () are in inches.

Catalog Number	No. of Teeth	Bore	P.D.	ØOD ±0.13 (±.005)	Hub Diameter ØE	Flange Diameter ØFD
QPMHTD8N20030S12	30	12 (.472)	76.4 (3.008)	75.13 (2.958)	38.1 (1.50)	85.1 (3.35)
QPMHTD8N20030S16	16 (.630)					
QPMHTD8N20032S12	32	12 (.472)	81.48 (3.208)	80.16 (3.156)	38.1 (1.50)	89.9 (3.54)
QPMHTD8N20034S12	34	12 (.472)	86.59 (3.409)	85.22 (3.355)	50.8 (2.00)	97 (3.82)
QPMHTD8N20036S12	36	12 (.472)	91.67 (3.609)	90.3 (3.555)	50.8 (2.00)	99.8 (3.93)
QPMHTD8N20036S16	16 (.630)					
QPMHTD8N20038S12	38	12 (.472)	96.77 (3.810)	95.4 (3.756)	50.8 (2.00)	104.9 (4.13)
QPMHTD8N20040S12	40	12 (.472)	101.85 (4.010)	100.48 (3.956)	50.8 (2.00)	110 (4.33)
QPMHTD8N20040S16	16 (.630)					
QPMHTD8N20044S12	44	12 (.472)	112.04 (4.411)	110.67 (4.357)	50.8 (2.00)	121.2 (4.77)
QPMHTD8N20048S16	48	16 (.630)	122.23 (4.812)	120.85 (4.758)	50.8 (2.00)	131.1 (5.16)
QPMHTD8N20056S16	56	16 (.630)	142.6 (5.614)	141.22 (5.560)	50.8 (2.00)	151.1 (5.95)

Bore Tolerance: 12 mm +0.05 (+.0017)
+0.01 (+.0006)
16 mm +0.04 (+.0015)
+0.01 (+.0005)

Other bore sizes available on special request.
See page 1-177

www.econobelt.com



Quality Transmission Components

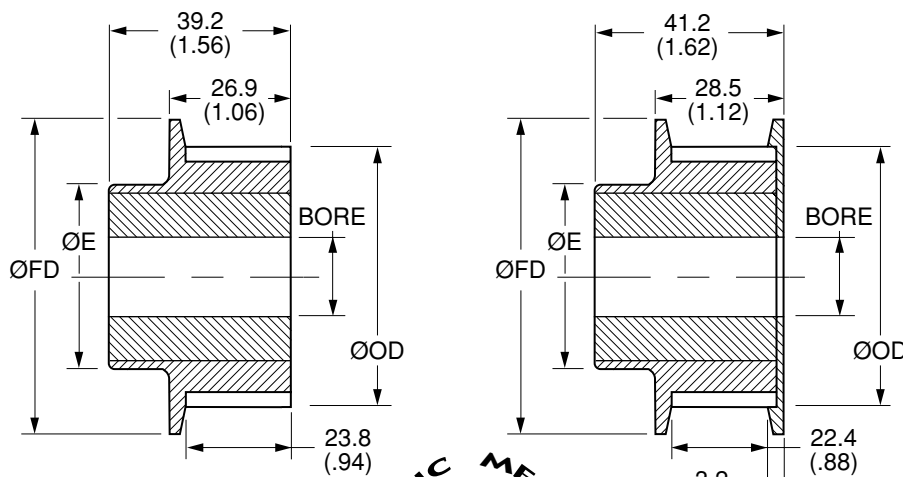
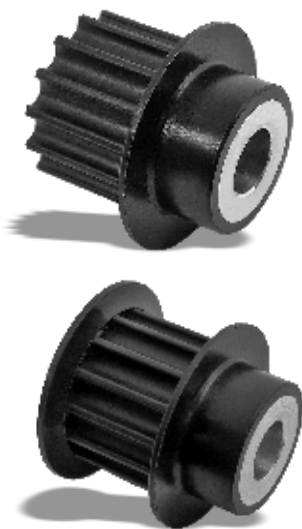
125 Railroad Avenue, Garden City Park, NY 11040-5016
Phone: (516) 437-6700 • Fax: (516) 328-3343
e-mail: support@econobelt.com



Quality
Transmission
Components

HTD8 Timing Belt Pulleys

**METRIC Pitch 8 mm HTD (.3150")
FOR BELTS UP TO 20 mm OR .787" WIDE**



**Fig. 1
SINGLE FLANGE**

**Fig. 2
DOUBLE FLANGE**

MATERIAL:

Pulley - Nylon – Black, Fiberglass Reinforced
Insert - Aluminum



These bore sizes available on special request

NOTE: Dimensions in () are in inches.

Catalog Number	No. of Teeth	Fig. No.	Bore	P.D.	ØOD ±0.13 (±.005)	Hub Diameter ØE	Flange Diameter ØFD
QPMHTD8N20014S12	14	1	12 (.472)	35.66 (1.404)	34.27 (1.349)	28.5 (1.12)	44.5 (1.75)
QPMHTD8N20014S16			16 (.630)				
QPMHTD8N20018F20	18	2	20 (.787)	45.82 (1.804)	44.45 (1.750)	38.1 (1.50)	54.6 (2.15)
QPMHTD8N20018S12			12 (.472)				
QPMHTD8N20018S16			16 (.630)				
QPMHTD8N20018S20			20 (.787)				
QPMHTD8N20022F20	22	2	20 (.787)	56.03 (2.206)	54.66 (2.152)	38.1 (1.50)	65 (2.56)
QPMHTD8N20022S12			12 (.472)				
QPMHTD8N20022S16			16 (.630)				
QPMHTD8N20022S20	1	1	20 (.787)				
QPMHTD8N20024S12	24	1	12 (.472)	61.11 (2.406)	59.74 (2.352)	38.1 (1.50)	69.9 (2.75)
QPMHTD8N20024S16			16 (.630)				
QPMHTD8N20024S20			20 (.787)				
QPMHTD8N20026F20	26	2	20 (.787)	66.22 (2.607)	64.85 (2.553)	38.1 (1.50)	74.9 (2.95)
QPMHTD8N20026S12			12 (.472)				
QPMHTD8N20026S16			16 (.630)				
QPMHTD8N20026S20			1				
QPMHTD8N20028F20	28	2	20 (.787)	71.3 (2.807)	70.08 (2.759)	38.1 (1.50)	79.8 (3.14)
QPMHTD8N20028S12			12 (.472)				
QPMHTD8N20028S16			16 (.630)				
QPMHTD8N20028S20			1				

Bore Tolerance: 12 mm +0.05 (+.0017)
+0.01 (+.0006)
16 mm +0.04 (+.0015)
+0.01 (+.0005)

20 mm +0.03 (+.0011)
0 (+.0001)

Larger number of teeth on
the next page

www.econobelt.com



Quality Transmission Components

125 Railroad Avenue, Garden City Park, NY 11040-5016
Phone: (516) 437-6700 • Fax: (516) 328-3343
e-mail: support@econobelt.com



Quality
Transmission
Components

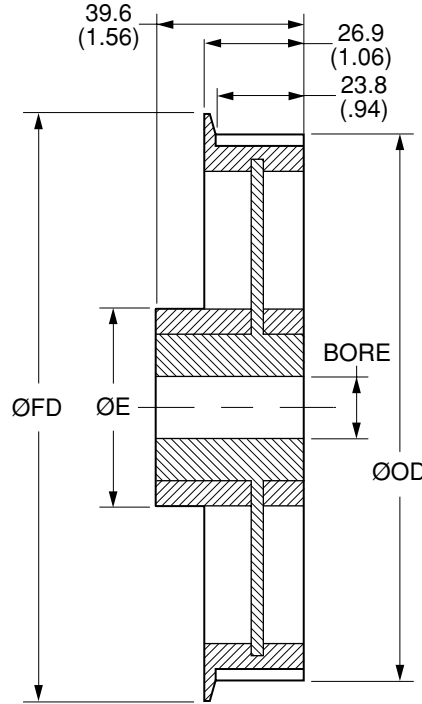
HTD8 Timing Belt Pulleys

**METRIC Pitch 8 mm HTD (.3150")
FOR BELTS UP TO 20 mm OR .787" WIDE**

HTD8 TIMING BELT PULLEYS



MATERIAL:
Pulley - Nylon – Black, Fiberglass Reinforced
Insert - Aluminum



These bore sizes available on special request

NOTE: Dimensions in () are in inches.

Catalog Number	No. of Teeth	Bore	P.D.	ØOD ±0.13 (±.005)	Hub Diameter ØE	Flange Diameter ØFD
QPMHTD8N20030S20	30	20 (.787)	76.4 (3.008)	75.13 (2.958)	38.1 (1.50)	85.1 (3.35)
QPMHTD8N20032S16	32	16 (.630)	81.48 (3.208)	80.16 (3.156)	38.1 (1.50)	89.9 (3.54)
QPMHTD8N20032S20		20 (.787)				
QPMHTD8N20034S16	34	16 (.630)	86.59 (3.409)	85.22 (3.355)	50.8 (2.00)	97 (3.82)
QPMHTD8N20034S20		20 (.787)				
QPMHTD8N20036S20	36	20 (.787)	91.67 (3.609)	90.3 (3.555)	50.8 (2.00)	99.8 (3.93)
QPMHTD8N20038S16	38	16 (.630)	96.77 (3.810)	95.4 (3.756)	50.8 (2.00)	104.9 (4.13)
QPMHTD8N20038S20		20 (.787)				
QPMHTD8N20040S20	40	20 (.787)	101.85 (4.010)	100.48 (3.956)	50.8 (2.00)	110 (4.33)
QPMHTD8N20044S16	44	16 (.630)	112.04 (4.411)	110.67 (4.357)	50.8 (2.00)	121.2 (4.77)
QPMHTD8N20044S20		20 (.787)				
QPMHTD8N20048S20	48	20 (.787)	122.23 (4.812)	120.85 (4.758)	50.8 (2.00)	131.1 (5.16)
QPMHTD8N20048S25		25 (.984)				
QPMHTD8N20056S20	56	20 (.787)	142.6 (5.614)	141.22 (5.560)	50.8 (2.00)	151.1 (5.95)
QPMHTD8N20056S25		25 (.984)				

Bore Tolerance: 16 mm +0.04 (+.0015) / +0.01 (-.0005)
20 mm +0.03 (+.0011) / 0 (+.0001)
25 mm +0.03 (+.0010) / 0 (-.0000)

www.econobelt.com



Quality Transmission Components

125 Railroad Avenue, Garden City Park, NY 11040-5016
Phone: (516) 437-6700 • Fax: (516) 328-3343
e-mail: support@econobelt.com