

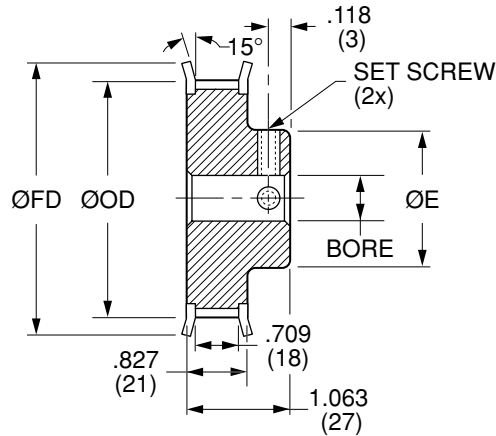
Quality
Transmission
Components

T5 Timing Belt Pulleys

**METRIC Pitch 5 mm T5 (.1969")
FOR BELTS UP TO .630" OR 16 mm WIDE**



MATERIAL: 2024-T4 or 2024-T351
Aluminum Alloy
FINISH: Clear Anodize



NOTE: Dimensions in () are in mm.

Catalog Number	No. of Teeth	Bore	Pitch Diameter	Outside Diameter ØOD	Hub Diameter ØE	Flange Diameter ØFD	Set Screw
QPET5A16010F04	10	.1250 (3.175)	.632 (16.05)	.593 (15.05)	.433 (11)	.768 (19.5)	#6-32
QPET5A16010F06		.1875 (4.763)					
QPET5A16011F04	11	.1250 (3.175)	.695 (17.65)	.656 (16.65)	.433 (11)	.827 (21)	#6-32
QPET5A16012F06		.1875 (4.763)					
QPET5A16012F08	12	.2500 (6.35)	.758 (19.25)	.719 (18.25)	.433 (11)	.906 (23)	#8-32
QPET5A16013F06		.1875 (4.763)					
QPET5A16014F06	14	.1875 (4.763)	.884 (22.45)	.844 (21.45)	.551 (14)	.984 (25)	#6-32
QPET5A16014F08		.2500 (6.35)					
QPET5A16015F06	15	.1875 (4.763)	.947 (24.05)	.907 (23.05)	.630 (16)	1.102 (28)	#6-32
QPET5A16015F08		.2500 (6.35)					
QPET5A16016F06	16	.1875 (4.763)	1.008 (25.6)	.969 (24.6)	.709 (18)	1.260 (32)	#6-32
QPET5A16016F08		.2500 (6.35)					
QPET5A16017F06	17	.1875 (4.763)	1.071 (27.2)	1.031 (26.2)	.709 (18)	1.260 (32)	#6-32
QPET5A16018F06		.1875 (4.763)					
QPET5A16018F08	18	.2500 (6.35)	1.134 (28.8)	1.094 (27.8)	.748 (19)	1.260 (32)	#6-32
QPET5A16019F06		.1875 (4.763)					
QPET5A16019F08	19	.2500 (6.35)	1.197 (30.4)	1.157 (29.4)	.866 (22)	1.457 (37)	#6-32
QPET5A16020F06		.1875 (4.763)					
QPET5A16020F08	20	.2500 (6.35)	1.260 (32)	1.220 (31)	.906 (23)	1.457 (37)	#6-32
QPET5A16021F06		.1875 (4.763)					
QPET5A16021F08	21	.2500 (6.35)	1.325 (33.65)	1.285 (32.65)	.945 (24)	1.496 (38)	#6-32
QPET5A16022F06		.1875 (4.763)					
QPET5A16022F08	22	.2500 (6.35)	1.388 (35.25)	1.348 (34.25)	.945 (24)	1.496 (38)	#6-32
QPET5A16023F06		.1875 (4.763)					
QPET5A16023F08	23	.2500 (6.35)	1.449 (36.8)	1.409 (35.8)	1.024 (26)	1.614 (41)	#6-32
QPET5A16024F06		.1875 (4.763)					
QPET5A16024F08	24	.2500 (6.35)	1.512 (38.4)	1.472 (37.4)	1.024 (26)	1.693 (43)	#6-32

T5 TIMING BELT PULLEYS

Bore Tolerance: +.0015 (+0.038)
+.0005 (+0.012)

Larger number of teeth on the next page

O.D. Tolerance: 10 to 16 teeth +.002 (+0.05)
-.000 (0)
17 to 24 teeth +.003 (+0.08)
-.000 (0)

NOTE: T5 Profile Per DIN 7721-2 Rev 6/89.

www.econobelt.com

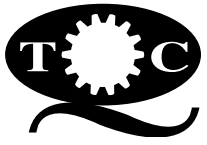


Quality Transmission Components

125 Railroad Avenue, Garden City Park, NY 11040-5016

Phone: (516) 437-6700 • Fax: (516) 328-3343

e-mail: support@econobelt.com



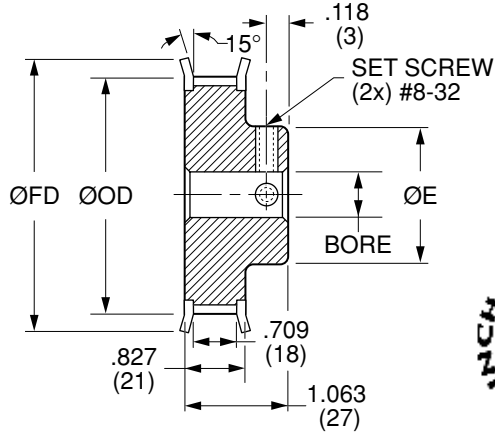
Quality
Transmission
Components

T5 Timing Belt Pulleys

**METRIC Pitch 5 mm T5 (.1969")
FOR BELTS UP TO .630" OR 16 mm WIDE**



MATERIAL: 2024-T4 or 2024-T351
Aluminum Alloy
FINISH: Clear Anodize



NOTE: Dimensions in () are in mm.

T5 TIMING BELT PULLEYS

Catalog Number	No. of Teeth	Bore	Pitch Diameter	Outside Diameter ØOD	Hub Diameter ØE	Flange Diameter ØFD
QPET5A16025F08	25	.2500 (6.35)	1.573 (39.95)	1.533 (38.95)	1.024 (26)	1.732 (44)
QPET5A16025F10		.3125 (7.938)				
QPET5A16026F08	26	.2500 (6.35)	1.638 (41.6)	1.598 (40.6)	1.024 (26)	1.732 (44)
QPET5A16026F10		.3125 (7.938)				
QPET5A16027F08	27	.2500 (6.35)	1.701 (43.2)	1.661 (42.2)	1.181 (30)	1.890 (48)
QPET5A16028F08		.2500 (6.35)				
QPET5A16028F10	28	.3125 (7.938)	1.762 (44.75)	1.722 (43.75)	1.260 (32)	1.890 (48)
QPET5A16029F08		.2500 (6.35)				
QPET5A16029F10	29	.3125 (7.938)	1.825 (46.35)	1.785 (45.35)	1.339 (34)	2.008 (51)
QPET5A16030F08		.2500 (6.35)				
QPET5A16030F10	30	.3125 (7.938)	1.886 (47.9)	1.846 (46.9)	1.339 (34)	2.047 (52)
QPET5A16032F08		.2500 (6.35)				
QPET5A16032F10	32	.3125 (7.938)	2.012 (51.1)	1.972 (50.1)	1.496 (38)	2.126 (54)
QPET5A16034F08		.2500 (6.35)				
QPET5A16034F10	34	.3125 (7.938)	2.138 (54.3)	2.098 (53.3)	1.496 (38)	2.402 (61)
QPET5A16035F08		.2500 (6.35)				
QPET5A16035F10	35	.3125 (7.938)	2.201 (55.9)	2.161 (54.9)	1.496 (38)	2.402 (61)
QPET5A16036F10		.3125 (7.938)				
QPET5A16036F12	36	.3750 (9.525)	2.262 (57.45)	2.222 (56.45)	1.496 (38)	2.402 (61)
QPET5A16037F10		.3125 (7.938)				
QPET5A16038F10	38	.3125 (7.938)	2.325 (59.05)	2.285 (58.05)	1.575 (40)	2.638 (67)
QPET5A16038F12		.3750 (9.525)				
QPET5A16040F10	40	.3125 (7.938)	2.514 (63.85)	2.474 (62.85)	1.575 (40)	2.638 (67)
QPET5A16040F12		.3750 (9.525)				
QPET5A16042F10	42	.3125 (7.938)	2.640 (67.05)	2.600 (66.05)	1.575 (40)	2.756 (70)

Bore Tolerance: +.0015 (+0.038)
+.0005 (+0.012)

Larger number of teeth on the next page

O.D. Tolerance: 25 to 30 teeth +.003 (+0.08)
-.000 (0)
32 to 42 teeth +.004 (+0.10)
-.000 (0)

NOTE: T5 Profile Per DIN 7721-2 Rev 6/89.

www.econobelt.com



Quality Transmission Components

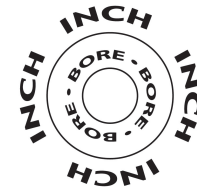
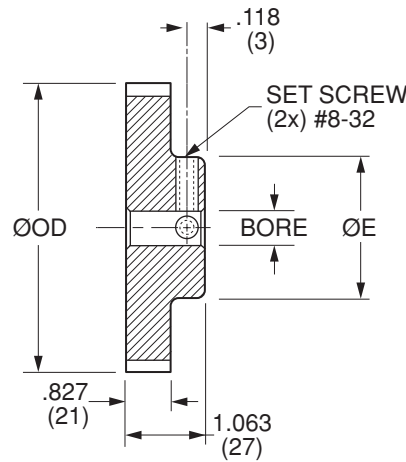
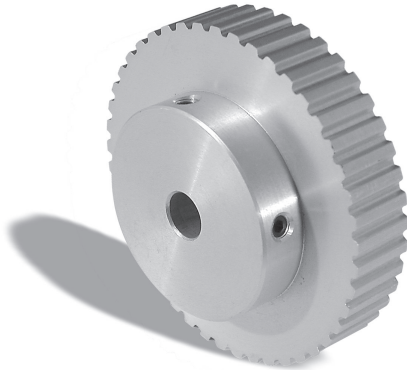
125 Railroad Avenue, Garden City Park, NY 11040-5016
Phone: (516) 437-6700 • Fax: (516) 328-3343
e-mail: support@econobelt.com



Quality
Transmission
Components

T5 Timing Belt Pulleys

**METRIC Pitch 5 mm T5 (.1969")
FOR BELTS UP TO .630" OR 16 mm WIDE**



MATERIAL: 2024-T4 or 2024-T351
Aluminum Alloy

FINISH: Clear Anodize

NOTE: Dimensions in () are in mm.

Catalog Number	No. of Teeth	Bore	Pitch Diameter	Outside Diameter ØOD	Hub Diameter ØE
QPET5A16044N12	44	.3750 (9.525)	2.764 (70.2)	2.724 (69.2)	1.772 (45)
QPET5A16044N16		.5000 (12.7)			
QPET5A16045N12	45	.3750 (9.525)	2.827 (71.8)	2.787 (70.8)	1.772 (45)
QPET5A16045N16		.5000 (12.7)			
QPET5A16046N12	46	.3750 (9.525)	2.890 (73.4)	2.850 (72.4)	1.969 (50)
QPET5A16046N16		.5000 (12.7)			
QPET5A16048N12	48	.3750 (9.525)	3.014 (76.55)	2.974 (75.55)	1.969 (50)
QPET5A16048N16		.5000 (12.7)			
QPET5A16050N12	50	.3750 (9.525)	3.138 (79.7)	3.098 (78.7)	2.559 (65)
QPET5A16050N16		.5000 (12.7)			
QPET5A16060N12	60	.3750 (9.525)	3.766 (95.65)	3.726 (94.65)	2.559 (65)
QPET5A16060N16		.5000 (12.7)			
QPET5A16072N12	72	.3750 (9.525)	4.518 (114.75)	4.478 (113.75)	2.756 (70)
QPET5A16072N16		.5000 (12.7)			
QPET5A16080N12	80	.3750 (9.525)	5.018 (127.45)	4.978 (126.45)	2.756 (70)
QPET5A16080N16		.5000 (12.7)			
QPET5A16090N12	90	.3750 (9.525)	5.648 (143.45)	5.608 (142.45)	2.756 (70)
QPET5A16090N16		.5000 (12.7)			
QPET5A16100N12	100	.3750 (9.525)	6.276 (159.4)	6.236 (158.4)	2.756 (70)
QPET5A16100N16		.5000 (12.7)			

Bore Tolerance: $\begin{matrix} +.0015 & (+0.038) \\ +.0005 & (+0.012) \end{matrix}$

O.D. Tolerance: 44 to 60 teeth $\begin{matrix} +.004 & (+0.10) \\ -.000 & (0) \end{matrix}$
72 to 100 teeth $\begin{matrix} +.005 & (+0.13) \\ -.000 & (0) \end{matrix}$

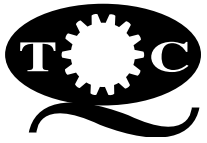
NOTE: T5 Profile Per DIN 7721-2 Rev 6/89.

www.econobelt.com



Quality Transmission Components

125 Railroad Avenue, Garden City Park, NY 11040-5016
Phone: (516) 437-6700 • Fax: (516) 328-3343
e-mail: support@econobelt.com

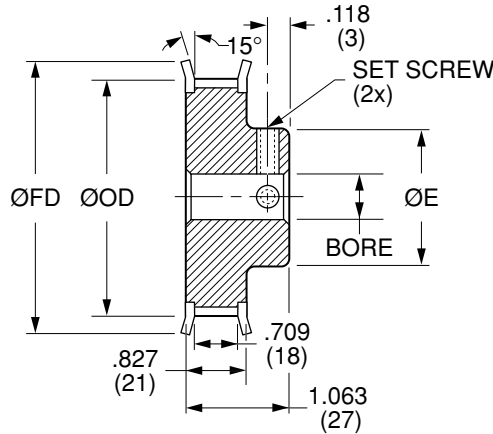


T5 Timing Belt Pulleys

**METRIC Pitch 5 mm T5 (.1969")
FOR BELTS UP TO .630" OR 16 mm WIDE**



MATERIAL: AISI 1045 Steel
FINISH: Black Oxide



NOTE: Dimensions in () are in mm.

T5 TIMING BELT PULLEYS

Catalog Number	No. of Teeth	Bore	Pitch Diameter	Outside Diameter ØOD	Hub Diameter ØE	Flange Diameter ØFD	Set Screw
QPET5S16010F04	10	.1250 (3.175)	.632 (16.05)	.593 (15.05)	.433 (11)	.768 (19.5)	#6-32
QPET5S16010F06		.1875 (4.763)					
QPET5S16011F04	11	.1250 (3.175)	.695 (17.65)	.656 (16.65)	.433 (11)	.827 (21)	#6-32
QPET5S16012F06		.1875 (4.763)					
QPET5S16012F08	12	.2500 (6.35)	.758 (19.25)	.719 (18.25)	.433 (11)	.906 (23)	#8-32
QPET5S16013F06		.1875 (4.763)					
QPET5S16014F06	13	.1875 (4.763)	.821 (20.85)	.781 (19.85)	.551 (14)	.984 (25)	#6-32
QPET5S16014F08		.2500 (6.35)					
QPET5S16015F06	14	.1875 (4.763)	.884 (22.45)	.844 (21.45)	.551 (14)	.984 (25)	#6-32
QPET5S16015F08		.2500 (6.35)					
QPET5S16016F06	15	.1875 (4.763)	.947 (24.05)	.907 (23.05)	.630 (16)	1.102 (28)	#6-32
QPET5S16016F08		.2500 (6.35)					
QPET5S16017F06	16	.1875 (4.763)	1.008 (25.6)	.969 (24.6)	.709 (18)	1.260 (32)	#6-32
QPET5S16017F08		.2500 (6.35)					
QPET5S16018F06	17	.1875 (4.763)	1.071 (27.2)	1.031 (26.2)	.709 (18)	1.260 (32)	#6-32
QPET5S16018F08		.2500 (6.35)					
QPET5S16019F06	18	.1875 (4.763)	1.134 (28.8)	1.094 (27.8)	.748 (19)	1.260 (32)	#6-32
QPET5S16019F08		.2500 (6.35)					
QPET5S16020F06	19	.1875 (4.763)	1.197 (30.4)	1.157 (29.4)	.866 (22)	1.457 (37)	#6-32
QPET5S16020F08		.2500 (6.35)					
QPET5S16021F06	20	.1875 (4.763)	1.260 (32)	1.220 (31)	.906 (23)	1.457 (37)	#6-32
QPET5S16021F08		.2500 (6.35)					
QPET5S16022F06	21	.1875 (4.763)	1.325 (33.65)	1.285 (32.65)	.945 (24)	1.496 (38)	#6-32
QPET5S16022F08		.2500 (6.35)					
QPET5S16023F06	22	.1875 (4.763)	1.388 (35.25)	1.348 (34.25)	.945 (24)	1.496 (38)	#6-32
QPET5S16023F08		.2500 (6.35)					
QPET5S16024F06	23	.1875 (4.763)	1.449 (36.8)	1.409 (35.8)	1.024 (26)	1.614 (41)	#6-32
QPET5S16024F08		.2500 (6.35)					
QPET5S16024F06	24	.1875 (4.763)	1.512 (38.4)	1.472 (37.4)	1.024 (26)	1.693 (43)	#6-32
QPET5S16024F08		.2500 (6.35)					

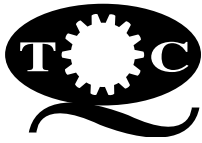
Bore Tolerance: +.0015 (+0.038)
+.0005 (+0.012)

Larger number of teeth on the next page

O.D. Tolerance: 10 to 16 teeth +.002 (+0.05)
-.000 (0)
17 to 24 teeth +.003 (+0.08)
-.000 (0)

NOTE: T5 Profile Per DIN 7721-2 Rev 6/89.





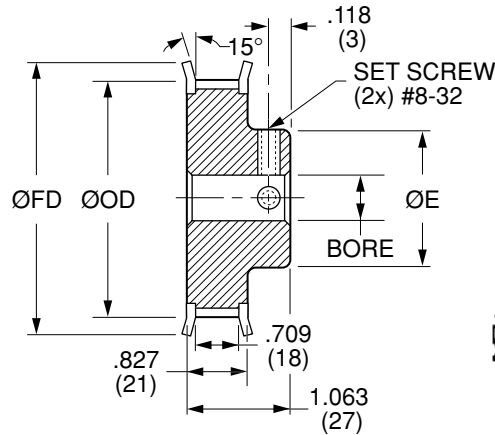
Quality
Transmission
Components

T5 Timing Belt Pulleys

**METRIC Pitch 5 mm T5 (.1969")
FOR BELTS UP TO .630" OR 16 mm WIDE**



MATERIAL: AISI 1045 Steel
FINISH: Black Oxide



NOTE: Dimensions in () are in mm.

Catalog Number	No. of Teeth	Bore	Pitch Diameter	Outside Diameter ØOD	Hub Diameter ØE	Flange Diameter ØFD
QPET5S16025F08	25	.2500 (6.35)	1.573 (39.95)	1.533 (38.95)	1.024 (26)	1.732 (44)
QPET5S16025F10		.3125 (7.938)				
QPET5S16026F08	26	.2500 (6.35)	1.638 (41.6)	1.598 (40.6)	1.024 (26)	1.732 (44)
QPET5S16026F10		.3125 (7.938)				
QPET5S16027F08	27	.2500 (6.35)	1.701 (43.2)	1.661 (42.2)	1.181 (30)	1.890 (48)
QPET5S16028F08		.2500 (6.35)				
QPET5S16028F10	28	.3125 (7.938)	1.762 (44.75)	1.722 (43.75)	1.260 (32)	1.890 (48)
QPET5S16029F08		.2500 (6.35)				
QPET5S16029F10	29	.3125 (7.938)	1.825 (46.35)	1.785 (45.35)	1.339 (34)	2.008 (51)
QPET5S16030F08		.2500 (6.35)				
QPET5S16030F10	30	.3125 (7.938)	1.886 (47.9)	1.846 (46.9)	1.339 (34)	2.047 (52)
QPET5S16032F08		.2500 (6.35)				
QPET5S16032F10	32	.3125 (7.938)	2.012 (51.1)	1.972 (50.1)	1.496 (38)	2.126 (54)
QPET5S16034F08		.2500 (6.35)				
QPET5S16034F10	34	.3125 (7.938)	2.138 (54.3)	2.098 (53.3)	1.496 (38)	2.402 (61)
QPET5S16035F08		.2500 (6.35)				
QPET5S16035F10	35	.3125 (7.938)	2.201 (55.9)	2.161 (54.9)	1.496 (38)	2.402 (61)
QPET5S16036F08		.3125 (7.938)				
QPET5S16036F10	36	.3750 (9.525)	2.262 (57.45)	2.222 (56.45)	1.496 (38)	2.402 (61)
QPET5S16037F10		.3125 (7.938)				
QPET5S16038F10	38	.3125 (7.938)	2.325 (59.05)	2.285 (58.05)	1.575 (40)	2.638 (67)
QPET5S16038F12		.3750 (9.525)				
QPET5S16040F10	40	.3125 (7.938)	2.388 (60.65)	2.348 (59.65)	1.575 (40)	2.638 (67)
QPET5S16040F12		.3750 (9.525)				
QPET5S16042F10	42	.3125 (7.938)	2.640 (67.05)	2.600 (66.05)	1.575 (40)	2.756 (70)

Bore Tolerance: +.0015 (+0.038)
+.0005 (+0.012)

Larger number of teeth on the next page

O.D. Tolerance: 25 to 30 teeth +.003 (+0.08)
-.000 (0)
32 to 42 teeth +.004 (+0.10)
-.000 (0)

NOTE: T5 Profile Per DIN 7721-2 Rev 6/89.

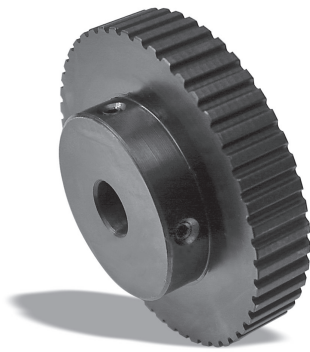
T5 TIMING BELT PULLEYS



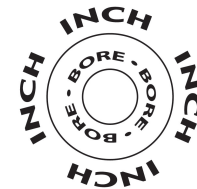
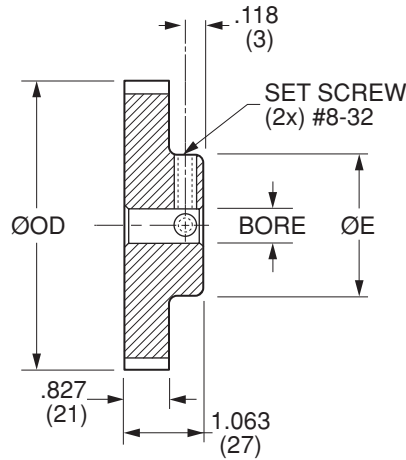
Quality
Transmission
Components

T5 Timing Belt Pulleys

**METRIC Pitch 5 mm T5 (.1969")
FOR BELTS UP TO .630" OR 16 mm WIDE**



MATERIAL: AISI 1045 Steel
FINISH: Black Oxide



NOTE: Dimensions in () are in mm.

Catalog Number	No. of Teeth	Bore	Pitch Diameter	Outside Diameter ØOD	Hub Diameter ØE
QPET5S16044N12	44	.3750 (9.525)	2.764 (70.2)	2.724 (69.2)	1.772 (45)
QPET5S16044N16		.5000 (12.7)			
QPET5S16045N12	45	.3750 (9.525)	2.827 (71.8)	2.787 (70.8)	1.772 (45)
QPET5S16045N16		.5000 (12.7)			
QPET5S16046N12	46	.3750 (9.525)	2.890 (73.4)	2.850 (72.4)	1.969 (50)
QPET5S16046N16		.5000 (12.7)			
QPET5S16048N12	48	.3750 (9.525)	3.014 (76.55)	2.974 (75.55)	1.969 (50)
QPET5S16048N16		.5000 (12.7)			
QPET5S16050N12	50	.3750 (9.525)	3.138 (79.7)	3.098 (78.7)	2.559 (65)
QPET5S16050N16		.5000 (12.7)			
QPET5S16060N12	60	.3750 (9.525)	3.766 (95.65)	3.726 (94.65)	2.559 (65)
QPET5S16060N16		.5000 (12.7)			
QPET5S16072N12	72	.3750 (9.525)	4.518 (114.75)	4.478 (113.75)	2.756 (70)
QPET5S16072N16		.5000 (12.7)			
QPET5S16080N12	80	.3750 (9.525)	5.018 (127.45)	4.978 (126.45)	2.756 (70)
QPET5S16080N16		.5000 (12.7)			
QPET5S16090N12	90	.3750 (9.525)	5.648 (143.45)	5.608 (142.45)	2.756 (70)
QPET5S16090N16		.5000 (12.7)			
QPET5S16100N12	100	.3750 (9.525)	6.276 (159.4)	6.236 (158.4)	2.756 (70)
QPET5S16100N16		.5000 (12.7)			

Bore Tolerance: +.0015 (+0.038)
+.0005 (+0.012)

O.D. Tolerance: 44 to 60 teeth +.004 (+0.10)
-.000 (0)
72 to 100 teeth +.005 (+0.13)
-.000 (0)

NOTE: T5 Profile Per DIN 7721-2 Rev 6/89.

www.econobelt.com



Quality Transmission Components

125 Railroad Avenue, Garden City Park, NY 11040-5016
Phone: (516) 437-6700 • Fax: (516) 328-3343
e-mail: support@econobelt.com