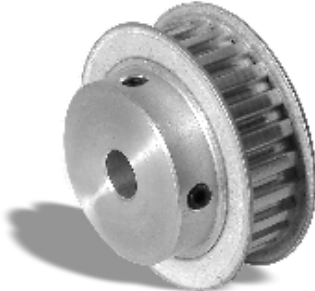




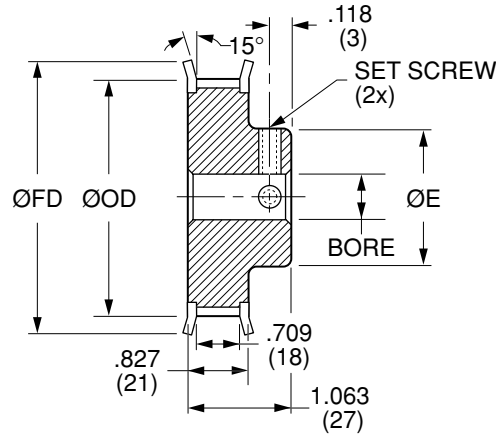
Quality  
Transmission  
Components

# AT5 Timing Belt Pulleys

**METRIC Pitch 5 mm AT5 (.1969")  
FOR BELTS UP TO .630" OR 16 mm WIDE**



**MATERIAL:** 2024-T4 or 2024-T351  
Aluminum Alloy  
**FINISH:** Clear Anodize



**NOTE:** Dimensions in ( ) are in mm.

Catalog Number	No. of Teeth	Bore	Pitch Diameter	Outside Diameter ØOD	Hub Diameter ØE	Flange Diameter ØFD	Set Screw
QPEAT5A16010F04	10	.1250 (3.175)	.632 (16.05)	.593 (15.05)	.433 (11)	.768 (19.5)	#6-32
QPEAT5A16010F06		.1875 (4.763)					
QPEAT5A16011F04	11	.1250 (3.175)	.695 (17.65)	.656 (16.65)	.433 (11)	.827 (21)	#6-32
QPEAT5A16012F06		.1875 (4.763)					
QPEAT5A16012F08	12	.2500 (6.35)	.758 (19.25)	.719 (18.25)	.433 (11)	.906 (23)	#8-32
QPEAT5A16013F06		.1875 (4.763)					
QPEAT5A16014F06	14	.1875 (4.763)	.884 (22.45)	.844 (21.45)	.551 (14)	.984 (25)	#6-32
QPEAT5A16014F08		.2500 (6.35)					
QPEAT5A16015F06	15	.1875 (4.763)	.947 (24.05)	.907 (23.05)	.630 (16)	1.102 (28)	#6-32
QPEAT5A16015F08		.2500 (6.35)					
QPEAT5A16016F06	16	.1875 (4.763)	1.008 (25.6)	.969 (24.6)	.709 (18)	1.260 (32)	#6-32
QPEAT5A16016F08		.2500 (6.35)					
QPEAT5A16017F06	17	.1875 (4.763)	1.071 (27.2)	1.031 (26.2)	.709 (18)	1.260 (32)	#6-32
QPEAT5A16018F06		.1875 (4.763)					
QPEAT5A16018F08	18	.2500 (6.35)	1.134 (28.8)	1.094 (27.8)	.748 (19)	1.260 (32)	#8-32
QPEAT5A16019F06		.1875 (4.763)					
QPEAT5A16020F06	20	.1875 (4.763)	1.260 (32)	1.220 (31)	.906 (23)	1.457 (37)	#6-32
QPEAT5A16020F08		.2500 (6.35)					
QPEAT5A16021F06	21	.1875 (4.763)	1.325 (33.65)	1.285 (32.65)	.945 (24)	1.496 (38)	#6-32
QPEAT5A16022F06		.1875 (4.763)					
QPEAT5A16022F08	22	.2500 (6.35)	1.388 (35.25)	1.348 (34.25)	.945 (24)	1.496 (38)	#8-32
QPEAT5A16023F06		.1875 (4.763)					
QPEAT5A16024F06	24	.1875 (4.763)	1.512 (38.4)	1.472 (37.4)	1.024 (26)	1.693 (43)	#6-32
QPEAT5A16024F08		.2500 (6.35)					

**Bore Tolerance:** +.0015 (+0.038)  
+.0005 (+0.012)

**O.D. Tolerance:** 10 to 16 teeth +.002 (+0.05)  
-.000 (0)  
17 to 24 teeth +.003 (+0.08)  
-.000 (0)

**NOTE:** AT5 Profile Per DIN 7721-2 Rev 6/89.

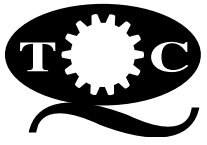
Larger number of teeth on the next page

[www.econobelt.com](http://www.econobelt.com)



Quality Transmission Components

125 Railroad Avenue, Garden City Park, NY 11040-5016  
Phone: (516) 437-6700 • Fax: (516) 328-3343  
e-mail: support@econobelt.com

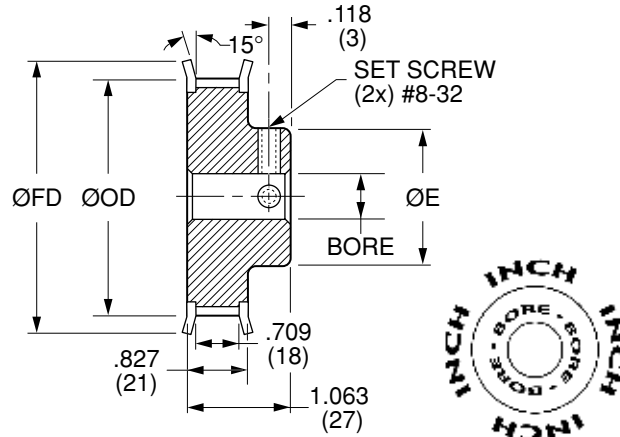


# AT5 Timing Belt Pulleys

**METRIC Pitch 5 mm AT5 (.1969")  
FOR BELTS UP TO .630" OR 16 mm WIDE**



**MATERIAL:** 2024-T4 or 2024-T351  
Aluminum Alloy  
**FINISH:** Clear Anodize



**NOTE:** Dimensions in ( ) are in mm.

Catalog Number	No. of Teeth	Bore	Pitch Diameter	Outside Diameter ØOD	Hub Diameter ØE	Flange Diameter ØFD
QPEAT5A16025F08	25	.2500 (6.35)	1.573 (39.95)	1.533 (38.95)	1.024 (26)	1.732 (44)
QPEAT5A16025F10		.3125 (7.938)				
QPEAT5A16026F08	26	.2500 (6.35)	1.638 (41.6)	1.598 (40.6)	1.024 (26)	1.732 (44)
QPEAT5A16026F10		.3125 (7.938)				
QPEAT5A16027F08	27	.2500 (6.35)	1.701 (43.2)	1.661 (42.2)	1.181 (30)	1.890 (48)
QPEAT5A16028F08		.2500 (6.35)				
QPEAT5A16028F10	28	.3125 (7.938)	1.762 (44.75)	1.722 (43.75)	1.260 (32)	1.890 (48)
QPEAT5A16029F08		.3125 (7.938)				
QPEAT5A16029F08	29	.2500 (6.35)	1.825 (46.35)	1.785 (45.35)	1.339 (34)	2.008 (51)
QPEAT5A16030F08		.2500 (6.35)				
QPEAT5A16030F10	30	.3125 (7.938)	1.886 (47.9)	1.846 (46.9)	1.339 (34)	2.047 (52)
QPEAT5A16032F08		.2500 (6.35)				
QPEAT5A16032F10	32	.3125 (7.938)	2.012 (51.1)	1.972 (50.1)	1.496 (38)	2.126 (54)
QPEAT5A16034F08		.2500 (6.35)				
QPEAT5A16034F10	34	.3125 (7.938)	2.138 (54.3)	2.098 (53.3)	1.496 (38)	2.402 (61)
QPEAT5A16035F08		.2500 (6.35)				
QPEAT5A16035F10	35	.3125 (7.938)	2.201 (55.9)	2.161 (54.9)	1.496 (38)	2.402 (61)
QPEAT5A16036F10		.3125 (7.938)				
QPEAT5A16036F12	36	.3750 (9.525)	2.262 (57.45)	2.222 (56.45)	1.496 (38)	2.402 (61)
QPEAT5A16037F10		.3125 (7.938)				
QPEAT5A16038F10	38	.3125 (7.938)	2.388 (60.65)	2.348 (59.65)	1.575 (40)	2.638 (67)
QPEAT5A16038F12		.3750 (9.525)				
QPEAT5A16040F10	40	.3125 (7.938)	2.514 (63.85)	2.474 (62.85)	1.575 (40)	2.638 (67)
QPEAT5A16040F12		.3750 (9.525)				
QPEAT5A16042F10	42	.3125 (7.938)	2.640 (67.05)	2.600 (66.05)	1.575 (40)	2.756 (70)

**Bore Tolerance:** +.0015 (+0.038)  
+.0005 (+0.012)

Larger number of teeth on the next page

**O.D. Tolerance:** 25 to 30 teeth +.003 (+0.08)  
-.000 (0)  
32 to 42 teeth +.004 (+0.10)  
-.000 (0)

**NOTE:** AT5 Profile Per DIN 7721-2 Rev 6/89.

[www.econobelt.com](http://www.econobelt.com)

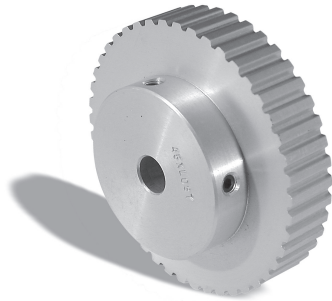




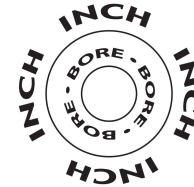
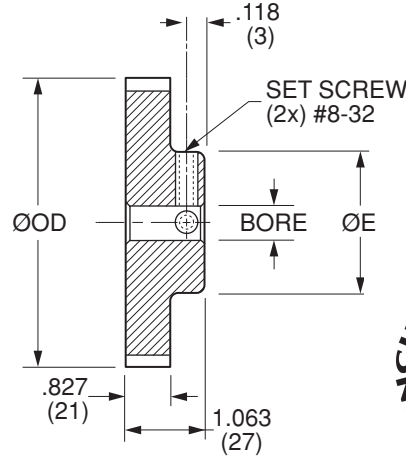
Quality  
Transmission  
Components

# AT5 Timing Belt Pulleys

**METRIC Pitch 5 mm AT5 (.1969")  
FOR BELTS UP TO .630" OR 16 mm WIDE**



**MATERIAL:** 2024-T4 or 2024-T351  
Aluminum Alloy  
**FINISH:** Clear Anodize



**NOTE:** Dimensions in ( ) are in mm.

Catalog Number	No. of Teeth	Bore	Pitch Diameter	Outside Diameter ØOD	Hub Diameter ØE
QPEAT5A16044N12	44	.3750 (9.525)	2.764 (70.2)	2.724 (69.2)	1.772 (45)
QPEAT5A16044N16		.5000 (12.7)			
QPEAT5A16045N12	45	.3750 (9.525)	2.827 (71.8)	2.787 (70.8)	1.772 (45)
QPEAT5A16045N16		.5000 (12.7)			
QPEAT5A16046N12	46	.3750 (9.525)	2.890 (73.4)	2.850 (72.4)	1.969 (50)
QPEAT5A16046N16		.5000 (12.7)			
QPEAT5A16048N12	48	.3750 (9.525)	3.014 (76.55)	2.974 (75.55)	1.969 (50)
QPEAT5A16048N16		.5000 (12.7)			
QPEAT5A16050N12	50	.3750 (9.525)	3.138 (79.7)	3.098 (78.7)	2.559 (65)
QPEAT5A16050N16		.5000 (12.7)			
QPEAT5A16060N12	60	.3750 (9.525)	3.766 (95.65)	3.726 (94.65)	2.559 (65)
QPEAT5A16060N16		.5000 (12.7)			
QPEAT5A16072N12	72	.3750 (9.525)	4.518 (114.75)	4.478 (113.75)	2.756 (70)
QPEAT5A16072N16		.5000 (12.7)			
QPEAT5A16080N12	80	.3750 (9.525)	5.018 (127.45)	4.978 (126.45)	2.756 (70)
QPEAT5A16080N16		.5000 (12.7)			
QPEAT5A16090N12	90	.3750 (9.525)	5.648 (143.45)	5.608 (142.45)	2.756 (70)
QPEAT5A16090N16		.5000 (12.7)			
QPEAT5A16100N12	100	.3750 (9.525)	6.276 (159.4)	6.236 (158.4)	2.756 (70)
QPEAT5A16100N16		.5000 (12.7)			

**Bore Tolerance:** +.0015 (+0.038)  
+.0005 (+0.012)

**O.D. Tolerance:** 44 to 60 teeth +.004 (+0.10)  
-.000 ( 0 )  
72 to 100 teeth +.005 (+0.13)  
-.000 ( 0 )

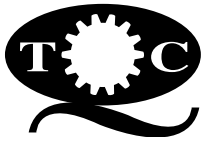
**NOTE:** AT5 Profile Per DIN 7721-2 Rev 6/89.

www.econobelt.com



Quality Transmission Components

125 Railroad Avenue, Garden City Park, NY 11040-5016  
Phone: (516) 437-6700 • Fax: (516) 328-3343  
e-mail: support@econobelt.com



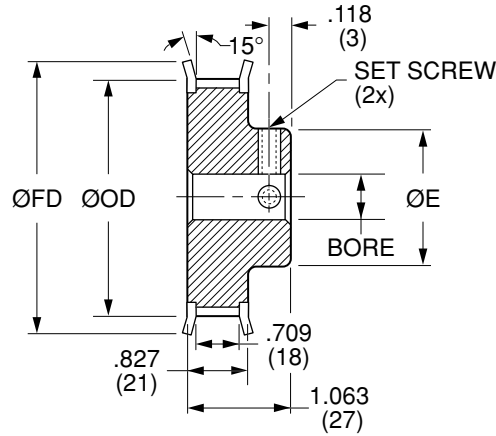
Quality  
Transmission  
Components

# AT5 Timing Belt Pulleys

**METRIC Pitch 5 mm AT5 (.1969")  
FOR BELTS UP TO .630" OR 16 mm WIDE**



**MATERIAL:** AISI 1045 Steel  
**FINISH:** Black Oxide



**NOTE:** Dimensions in ( ) are in mm.

Catalog Number	No. of Teeth	Bore	Pitch Diameter	Outside Diameter ØOD	Hub Diameter ØE	Flange Diameter ØFD	Set Screw
QPEAT5S16010F04	10	.1250 (3.175)	.632 (16.05)	.593 (15.05)	.433 (11)	.768 (19.5)	#6-32
QPEAT5S16010F06		.1875 (4.763)					
QPEAT5S16011F04	11	.1250 (3.175)	.695 (17.65)	.656 (16.65)	.433 (11)	.827 (21)	#6-32
QPEAT5S16012F06	12	.1875 (4.763)	.758 (19.25)	.719 (18.25)	.433 (11)	.906 (23)	#8-32
QPEAT5S16012F08		.2500 (6.35)					
QPEAT5S16013F06	13	.1875 (4.763)	.821 (20.85)	.781 (19.85)	.551 (14)	.984 (25)	#6-32
QPEAT5S16014F06	14	.1875 (4.763)	.884 (22.45)	.844 (21.45)	.551 (14)	.984 (25)	#6-32
QPEAT5S16014F08		.2500 (6.35)					
QPEAT5S16015F06	15	.1875 (4.763)	.947 (24.05)	.907 (23.05)	.630 (16)	1.102 (28)	#6-32
QPEAT5S16015F08		.2500 (6.35)					
QPEAT5S16016F06	16	.1875 (4.763)	1.008 (25.6)	.969 (24.6)	.709 (18)	1.260 (32)	#6-32
QPEAT5S16016F08		.2500 (6.35)					
QPEAT5S16017F06	17	.1875 (4.763)	1.071 (27.2)	1.031 (26.2)	.709 (18)	1.260 (32)	#6-32
QPEAT5S16018F06	18	.1875 (4.763)	1.134 (28.8)	1.094 (27.8)	.748 (19)	1.260 (32)	#6-32
QPEAT5S16018F08		.2500 (6.35)					
QPEAT5S16019F06	19	.1875 (4.763)	1.197 (30.4)	1.157 (29.4)	.866 (22)	1.457 (37)	#6-32
QPEAT5S16020F06	20	.1875 (4.763)	1.260 (32)	1.220 (31)	.906 (23)	1.457 (37)	#6-32
QPEAT5S16020F08		.2500 (6.35)					
QPEAT5S16021F06	21	.1875 (4.763)	1.325 (33.65)	1.285 (32.65)	.945 (24)	1.496 (38)	#6-32
QPEAT5S16022F06	22	.1875 (4.763)	1.388 (35.25)	1.348 (34.25)	.945 (24)	1.496 (38)	#6-32
QPEAT5S16022F08		.2500 (6.35)					
QPEAT5S16023F06	23	.1875 (4.763)	1.449 (36.8)	1.409 (35.8)	1.024 (26)	1.614 (41)	#6-32
QPEAT5S16024F06	24	.1875 (4.763)	1.512 (38.4)	1.472 (37.4)	1.024 (26)	1.693 (43)	#6-32
QPEAT5S16024F08		.2500 (6.35)					

**Bore Tolerance:** +.0015 (+0.038)  
+.0005 (+0.012)

**O.D. Tolerance:** 10 to 16 teeth +.002 (+0.05)  
-.000 (0)  
17 to 24 teeth +.003 (+0.08)  
-.000 (0)

**NOTE:** AT5 Profile Per DIN 7721-2 Rev 6/89.

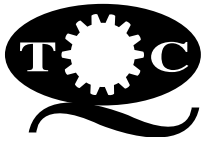
Larger number of teeth on the next page

[www.econobelt.com](http://www.econobelt.com)



Quality Transmission Components

125 Railroad Avenue, Garden City Park, NY 11040-5016  
Phone: (516) 437-6700 • Fax: (516) 328-3343  
e-mail: support@econobelt.com

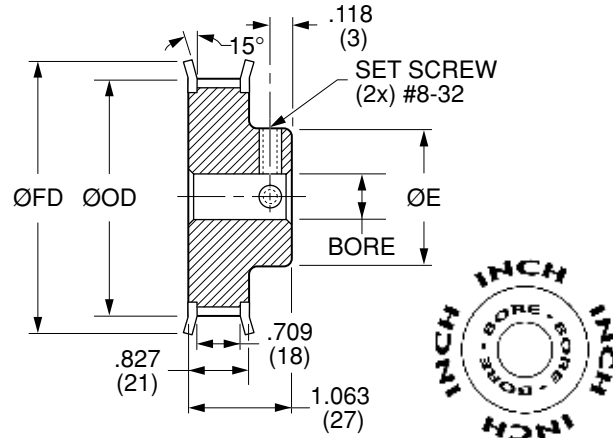


# AT5 Timing Belt Pulleys

**METRIC Pitch 5 mm AT5 (.1969")  
FOR BELTS UP TO .630" OR 16 mm WIDE**



**MATERIAL:** AISI 1045 Steel  
**FINISH:** Black Oxide



**NOTE:** Dimensions in ( ) are in mm.

Catalog Number	No. of Teeth	Bore	Pitch Diameter	Outside Diameter ØOD	Hub Diameter ØE	Flange Diameter ØFD
QPEAT5S16025F08	25	.2500 (6.35)	1.573 (39.95)	1.533 (38.95)	1.024 (26)	1.732 (44)
QPEAT5S16025F10		.3125 (7.938)				
QPEAT5S16026F08	26	.2500 (6.35)	1.638 (41.6)	1.598 (40.6)	1.024 (26)	1.732 (44)
QPEAT5S16026F10		.3125 (7.938)				
QPEAT5S16027F08	27	.2500 (6.35)	1.701 (43.2)	1.661 (42.2)	1.181 (30)	1.890 (48)
QPEAT5S16028F08		.2500 (6.35)				
QPEAT5S16028F10	28	.3125 (7.938)	1.762 (44.75)	1.722 (43.75)	1.260 (32)	1.890 (48)
QPEAT5S16029F08		.2500 (6.35)				
QPEAT5S16030F08	30	.2500 (6.35)	1.886 (47.9)	1.846 (46.9)	1.339 (34)	2.047 (52)
QPEAT5S16030F10		.3125 (7.938)				
QPEAT5S16032F08	32	.2500 (6.35)	2.012 (51.1)	1.972 (50.1)	1.496 (38)	2.126 (54)
QPEAT5S16032F10		.3125 (7.938)				
QPEAT5S16034F08	34	.2500 (6.35)	2.138 (54.3)	2.098 (53.3)	1.496 (38)	2.402 (61)
QPEAT5S16034F10		.3125 (7.938)				
QPEAT5S16035F08	35	.2500 (6.35)	2.201 (55.9)	2.161 (54.9)	1.496 (38)	2.402 (61)
QPEAT5S16035F10		.3125 (7.938)				
QPEAT5S16036F10	36	.3125 (7.938)	2.262 (57.45)	2.222 (56.45)	1.496 (38)	2.402 (61)
QPEAT5S16036F12		.3750 (9.525)				
QPEAT5S16037F10	37	.3125 (7.938)	2.325 (59.05)	2.285 (58.05)	1.575 (40)	2.638 (67)
QPEAT5S16038F10	38	.3125 (7.938)	2.388 (60.65)	2.348 (59.65)	1.575 (40)	2.638 (67)
QPEAT5S16038F12		.3750 (9.525)				
QPEAT5S16040F10	40	.3125 (7.938)	2.514 (63.85)	2.474 (62.85)	1.575 (40)	2.638 (67)
QPEAT5S16040F12		.3750 (9.525)				
QPEAT5S16042F10	42	.3125 (7.938)	2.640 (67.05)	2.600 (66.05)	1.575 (40)	2.756 (70)

**Bore Tolerance:** +.0015 (+0.038)  
+.0005 (+0.012)

Larger number of teeth on the next page

**O.D. Tolerance:** 25 to 30 teeth +.003 (+0.08)  
-.000 (0)  
32 to 42 teeth +.004 (+0.10)  
-.000 (0)

**NOTE:** AT5 Profile Per DIN 7721-2 Rev 6/89.

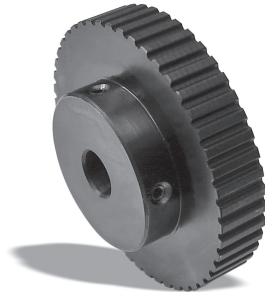




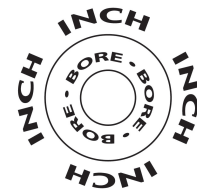
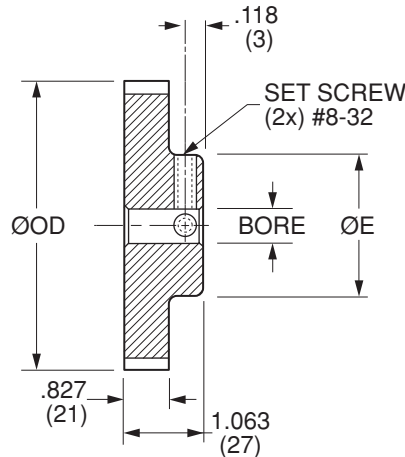
Quality  
Transmission  
Components

# AT5 Timing Belt Pulleys

**METRIC Pitch 5 mm AT5 (.1969")  
FOR BELTS UP TO .630" OR 16 mm WIDE**



**MATERIAL:** AISI 1045 Steel  
**FINISH:** Black Oxide



**NOTE:** Dimensions in ( ) are in mm.

Catalog Number	No. of Teeth	Bore	Pitch Diameter	Outside Diameter ØOD	Hub Diameter ØE
QPEAT5S16044N12	44	.3750 (9.525)	2.764 (70.2)	2.724 (69.2)	1.772 (45)
QPEAT5S16044N16		.5000 (12.7)			
QPEAT5S16045N12	45	.3750 (9.525)	2.827 (71.8)	2.787 (70.8)	1.772 (45)
QPEAT5S16045N16		.5000 (12.7)			
QPEAT5S16046N12	46	.3750 (9.525)	2.890 (73.4)	2.850 (72.4)	1.969 (50)
QPEAT5S16046N16		.5000 (12.7)			
QPEAT5S16048N12	48	.3750 (9.525)	3.014 (76.55)	2.974 (75.55)	1.969 (50)
QPEAT5S16048N16		.5000 (12.7)			
QPEAT5S16050N12	50	.3750 (9.525)	3.138 (79.7)	3.098 (78.7)	2.559 (65)
QPEAT5S16050N16		.5000 (12.7)			
QPEAT5S16060N12	60	.3750 (9.525)	3.766 (95.65)	3.726 (94.65)	2.559 (65)
QPEAT5S16060N16		.5000 (12.7)			
QPEAT5S16072N12	72	.3750 (9.525)	4.518 (114.75)	4.478 (113.75)	2.756 (70)
QPEAT5S16072N16		.5000 (12.7)			
QPEAT5S16080N12	80	.3750 (9.525)	5.018 (127.45)	4.978 (126.45)	2.756 (70)
QPEAT5S16080N16		.5000 (12.7)			
QPEAT5S16090N12	90	.3750 (9.525)	5.648 (143.45)	5.608 (142.45)	2.756 (70)
QPEAT5S16090N16		.5000 (12.7)			
QPEAT5S16100N12	100	.3750 (9.525)	6.276 (159.4)	6.236 (158.4)	2.756 (70)
QPEAT5S16100N16		.5000 (12.7)			

**Bore Tolerance:**  $\begin{matrix} +.0015 & (+0.038) \\ +.0005 & (+0.012) \end{matrix}$

**O.D. Tolerance:** 44 to 60 teeth  $\begin{matrix} +.004 & (+0.10) \\ -.000 & (0) \end{matrix}$   
72 to 100 teeth  $\begin{matrix} +.005 & (+0.13) \\ -.000 & (0) \end{matrix}$

**NOTE:** AT5 Profile Per DIN 7721-2 Rev 6/89.

[www.econobelt.com](http://www.econobelt.com)



Quality Transmission Components

125 Railroad Avenue, Garden City Park, NY 11040-5016  
Phone: (516) 437-6700 • Fax: (516) 328-3343  
e-mail: [support@econobelt.com](mailto:support@econobelt.com)