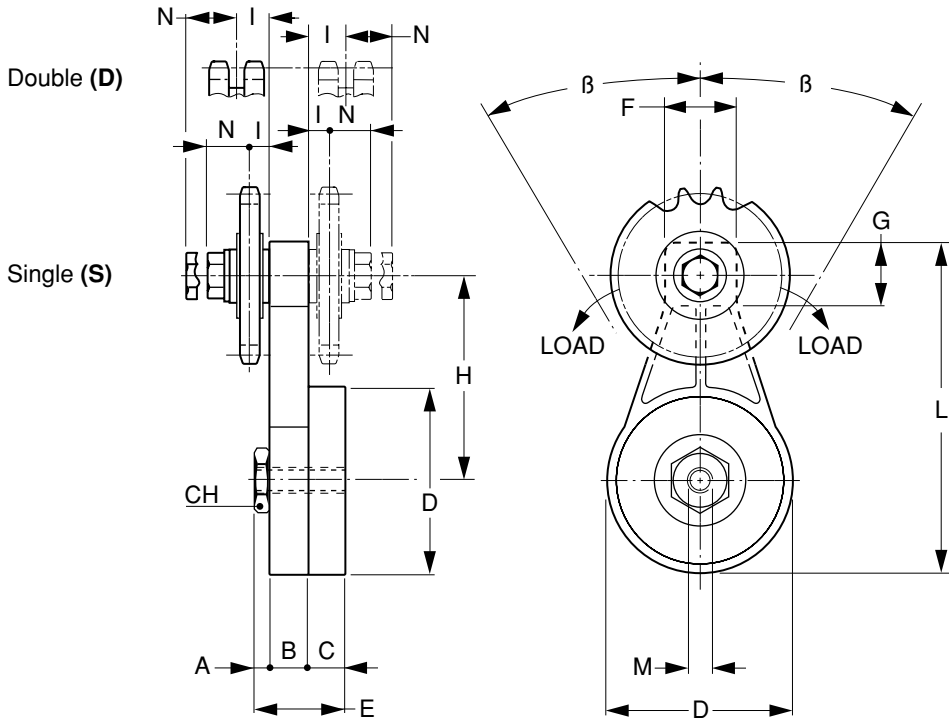


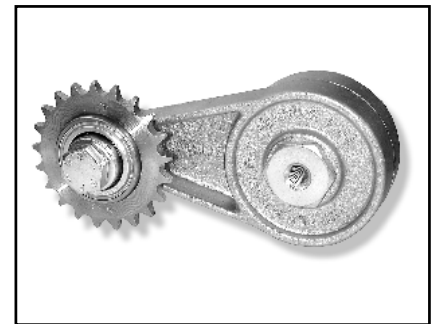


# TCR Type Tensioner

For 3/8" to 1" Pitch Roller Chains  
Sprocket with Ball Bearing – Spring-Loaded



Automatically keeps the tension constant.



**MATERIAL:** Arm – High-Tensile Die-Cast Aluminum Alloy (See\*)  
Sprocket – Steel (Heat-Treated)

**MAX. OPERATING TEMPERATURE:** 100°C (212°F)

Catalog Number	Load (N)		Chain Pitch	Teeth	A	B	C	CH	D	E	F	G	H	I	L	M	N	β
	Min	Max																
QCT-TCR003S* QCT-TCR003D*	80	160	3/8" x 7/32"	21	5	15	15	24	63	35	23	23	75.5	9.2	119	M10	19.7	45°
QCT-TCR103S QCT-TCR103D	120	240	3/8" x 7/32"	21	5	15.5	15.5	24	69	36	30	25	86.5	9.2 11	134	M10	19.7 18	45°
QCT-TCR104S QCT-TCR104D	120	240	1/2" x 5/16"	16	5	15.5	15.5	24	69	36	30	25	86.5	9.2 12.5	134	M10	19.7 16.5	45°
QCT-TCR105S QCT-TCR105D	120	240	5/8" x 3/8"	17	5	15.5	15.5	24	69	36	30	25	86.5	9.2 15.3	134	M10	19.7 21.8	45°
QCT-TCR205S QCT-TCR205D	240	380	5/8" x 3/8"	17	7	18	18	27	90	43	34	30	100	9.2 15.3	159	M12	19.7 21.8	30°
QCT-TCR206S QCT-TCR206D	240	380	3/4" x 7/16"	15	7	18	18	27	90	43	34	30	100	9.2 17.7	159	M12	19.7 19.4	30°
QCT-TCR208S QCT-TCR208D	240	380	1" x 17 mm.	12	7	18	18	27	90	43	34	30	100	8.9 26.4	159	M12	19.4 23.9	30°

\*Acetal arm.

**NOTE:** Orientation of sprocket is supplied as shown. End user can reposition if necessary.

All dimensions are in mm unless otherwise noted.

