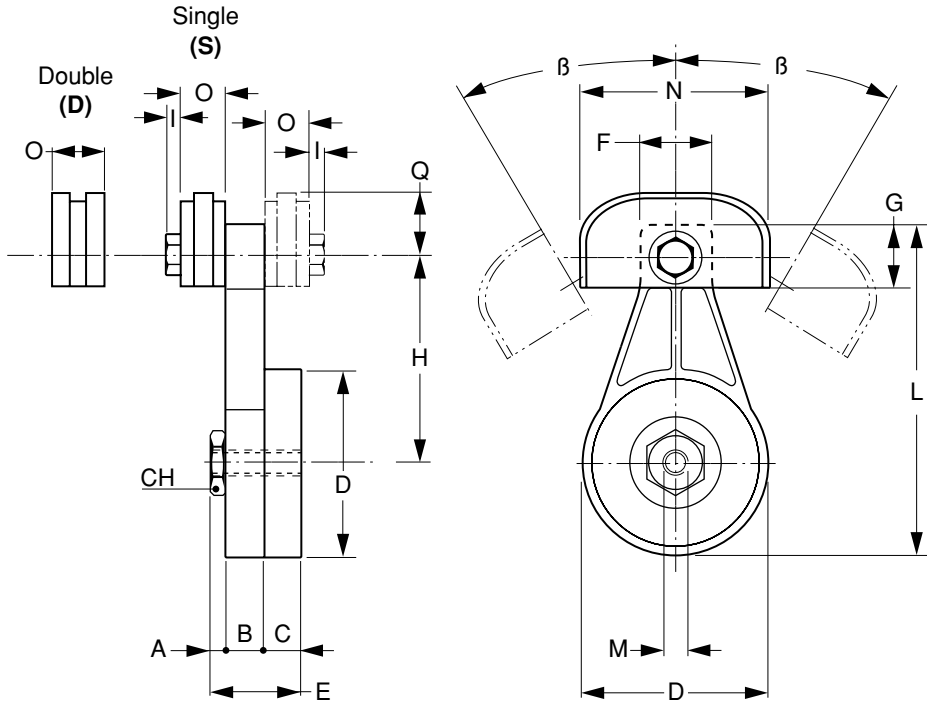


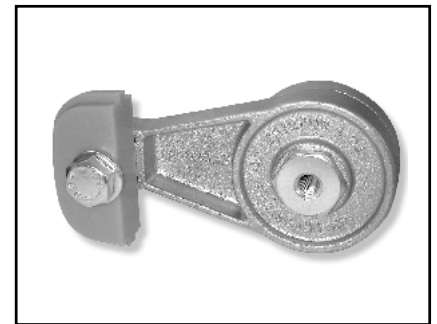


# TCP Type Tensioner

For 3/8" to 1" Pitch Roller Chains  
Low Friction Polyethylene Head – Spring-Loaded



Automatically keeps the tension constant.



**MATERIAL:** Arm – High-Tensile Die-Cast Aluminum Alloy (See\*)  
Head – Polyethylene (UHMW-PE)  
**MAX. OPERATING TEMPERATURE:** 65°C (149°F)

Catalog Number	Chain Pitch	Load (N)		A	B	C	CH	D	E	F	G	H	I	L	M	N	O	Q	β
		Min	Max																
QCT-TCP003S#*	3/8" x 7/32"	80	160	5	15	15	24	63	35	23	23	75.5	5.5	119	M10	70	20	22	45°
QCT-TCP103S	3/8" x 7/32"	120	240	5	15.5	15.5	24	69	36	30	25	86.5	7	134	M10	70	20	22	45°
QCT-TCP103D																			
QCT-TCP104S	1/2" x 5/16"	120	240	5	15.5	15.5	24	69	36	30	25	86.5	7	134	M10	70	20	22	45°
QCT-TCP104D																			
QCT-TCP105S	5/8" x 3/8"	120	240	5	15.5	15.5	24	69	36	30	25	86.5	7	134	M10	90	22	29	45°
QCT-TCP105D																	25		
QCT-TCP205S	5/8" x 3/8"	240	380	7	18	18	27	90	43	34	30	100	8	159	M12	90	22	29	30°
QCT-TCP205D																			
QCT-TCP206S#	3/4" x 7/16" 1" x 17 mm.	240	380	7	18	18	27	90	43	34	30	100	8	159	M12	90	22	29	30°
QCT-TCP208S#																	110	25	35

\*Acetal arm. #Head for double chain is not available.

**NOTE:** Orientation of head is supplied as shown. End user can reposition if necessary.

All dimensions are in mm unless otherwise noted.

