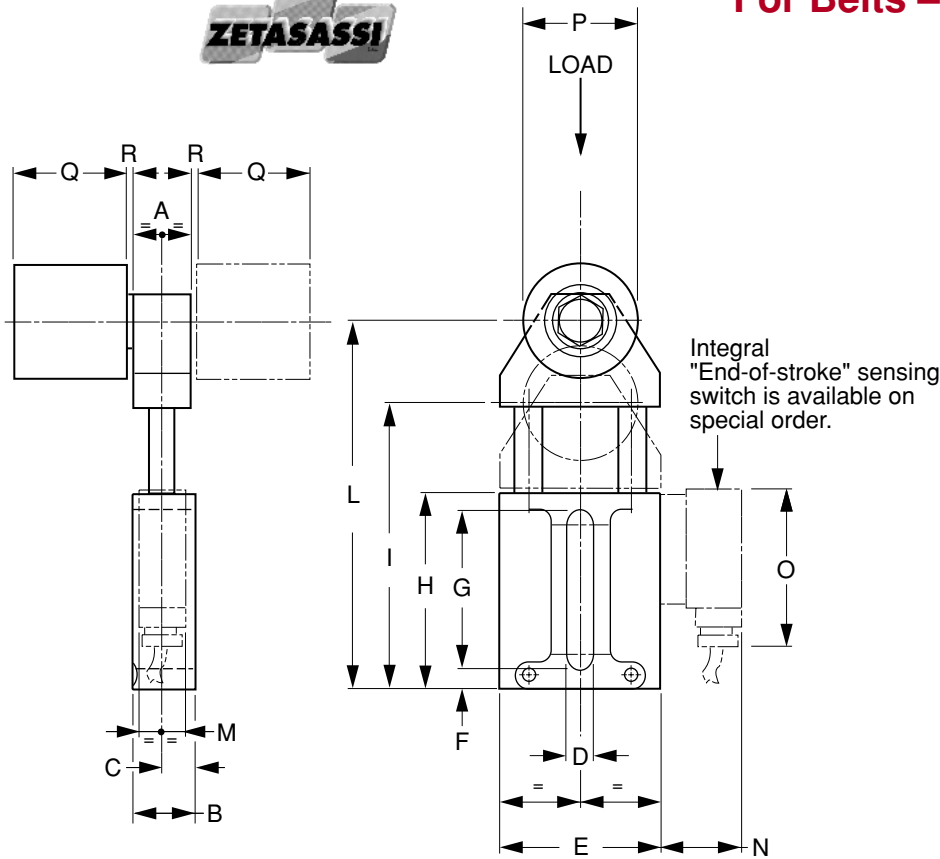


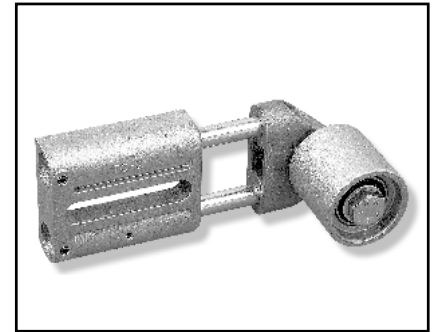


ET-PU Type Tensioner

For Belts – Roller with Ball Bearings
Spring-Loaded



Automatically keeps the tension constant.



Integral "End-of-stroke" sensing switch is available on special order.

- MATERIAL:** Mounting Head – Die-Cast Aluminum
 Base – High-Tensile Die-Cast Aluminum Alloy
 Slide Arms – High-Tensile Steel (Zinc Plated)
 Roller – Material Code
 A Aluminum
 N Nylon
 S Steel (Zinc Plated)

Catalog Number	Load (N)		A	B	C	D	E	F	G	H	I	L	M	N	O	P	Q	R
	Min	Max																
QBT-ET1PU30X35 <input type="checkbox"/>	130	250	20	23	12.5	11	56.2	7	58	74	99	127	-	-	-	30	35	1.5
QBT-ET1PU50X50 <input type="checkbox"/>																50	50	2.5
QBT-ET2PU50X50 <input type="checkbox"/>	180	420	25	28	15	12.5	70.5	9	70	87	127	163	-	-	-	50	50	2.5
QBT-ET3PU50X50 <input type="checkbox"/>	300	650	30	33	17.5	14.5	82	9	86	104	151	193	21	35	70	50	50	2.5
QBT-ET3PU60X60 <input type="checkbox"/>																60	60	

NOTES: Orientation of roller is supplied as shown. End user can reposition if necessary.
 Fill in the box with desired material designation to complete part number.

All dimensions are in mm unless otherwise noted.

