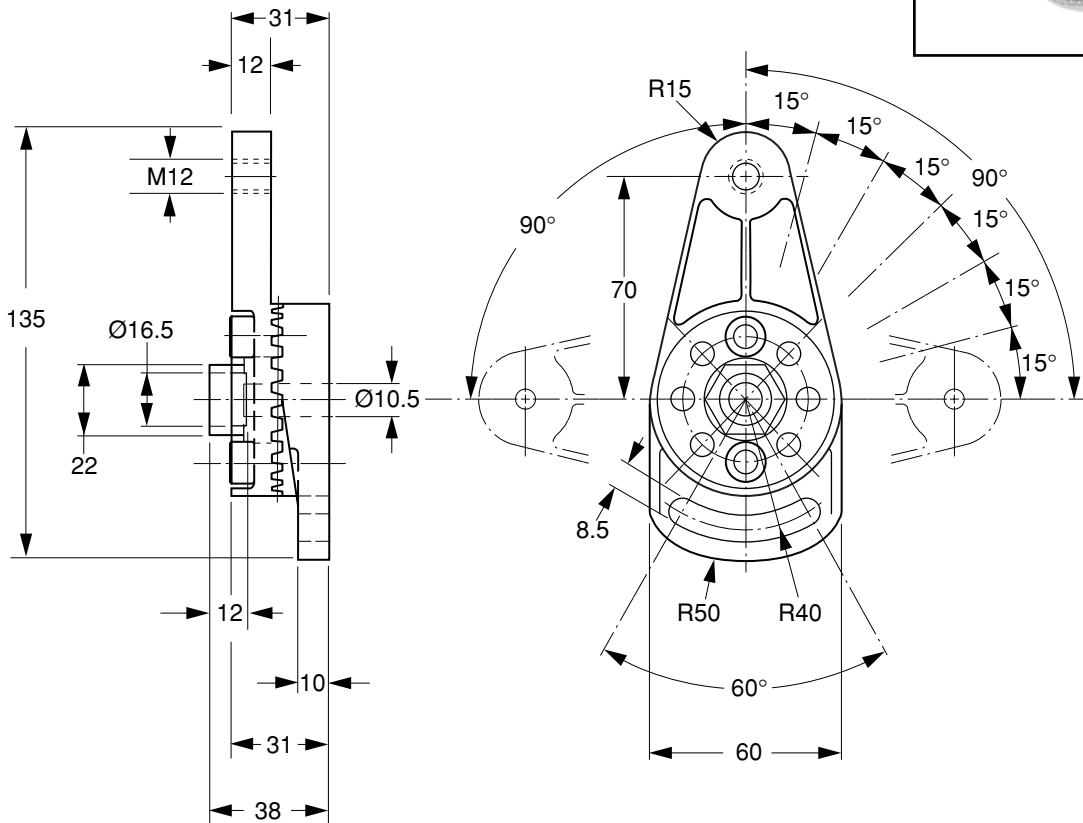




Quality
Transmission
Components

ORIENT1 Type Tensioner Arm

Adjustable Angle – Not Spring-Loaded



MATERIAL: Arm – High-Tensile Die-Cast Aluminum Alloy

Catalog Number

QTA-OR1M12

All dimensions are in mm unless otherwise noted.

BELT & CHAIN TENSIONERS

www.econobelt.com



Quality Transmission Components

125 Railroad Avenue, Garden City Park, NY 11040-5016

Phone: (516) 437-6700 • Fax: (516) 328-3343

e-mail: support@econobelt.com